

ADJUSTMENTS

Antenna signal: Test pattern including colour bars and areas of 100% white.

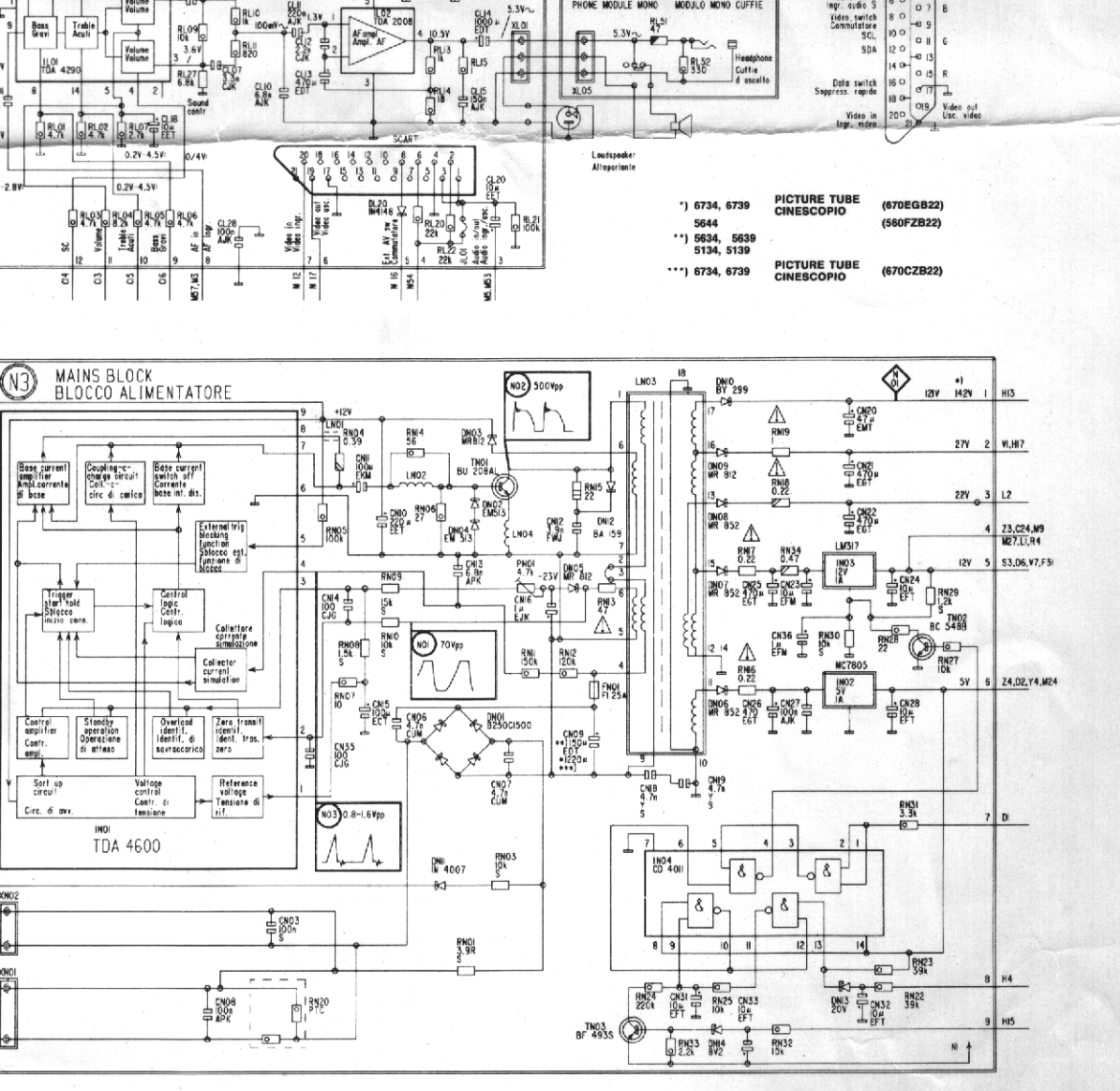
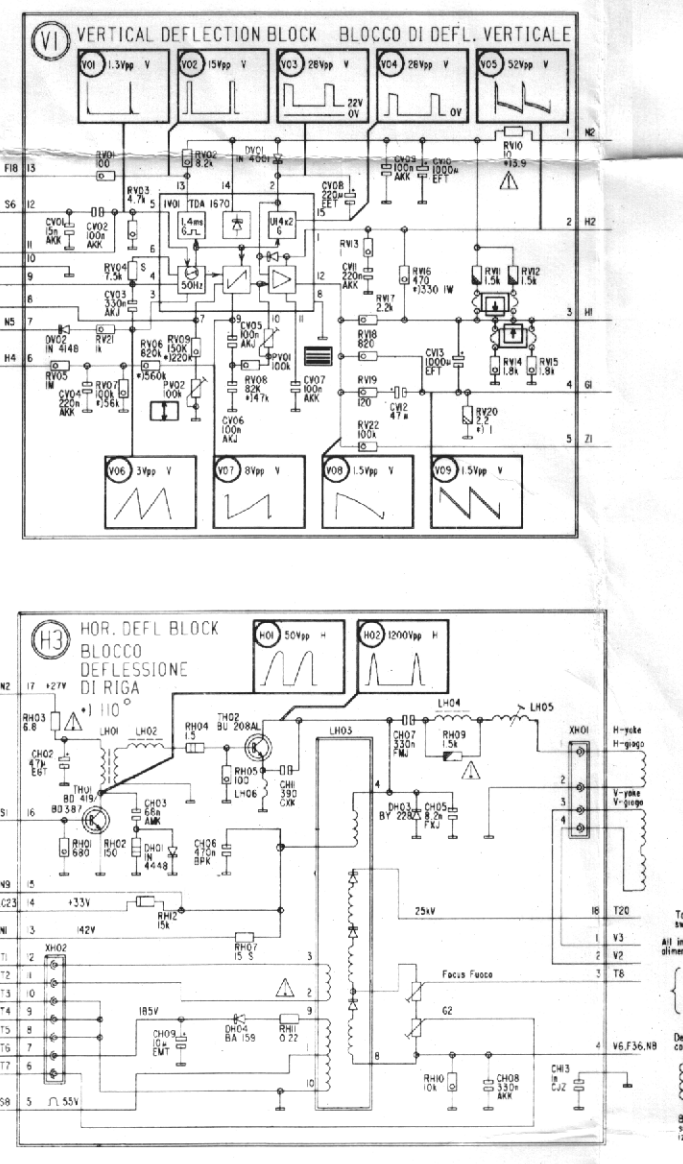
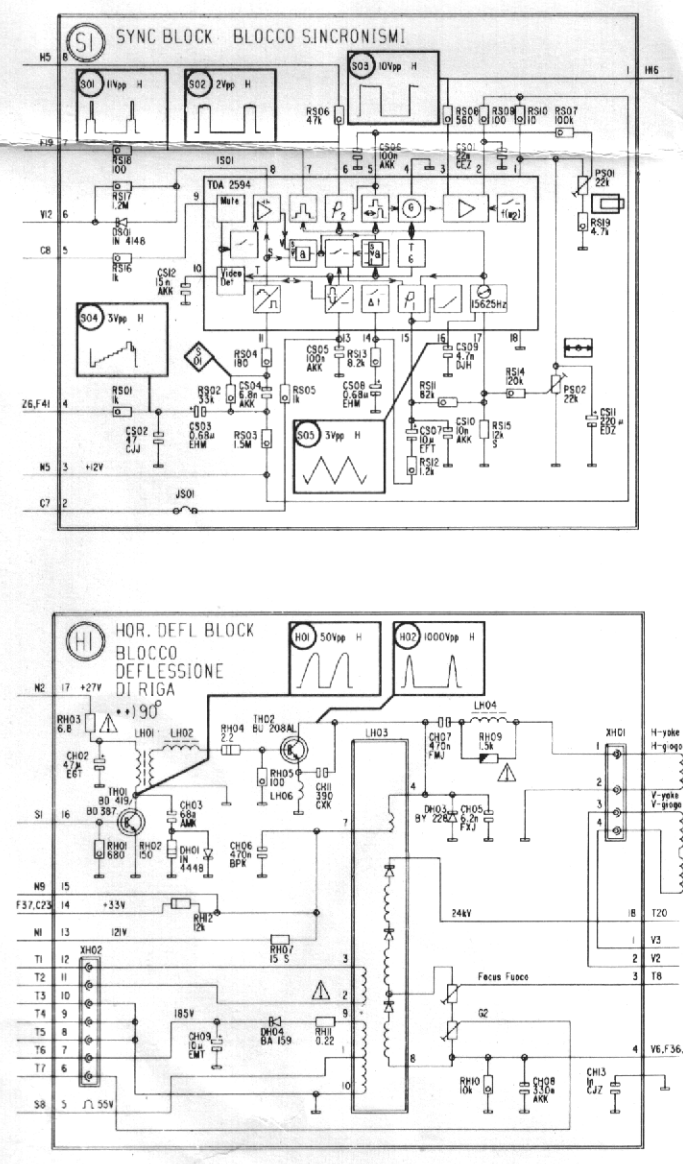
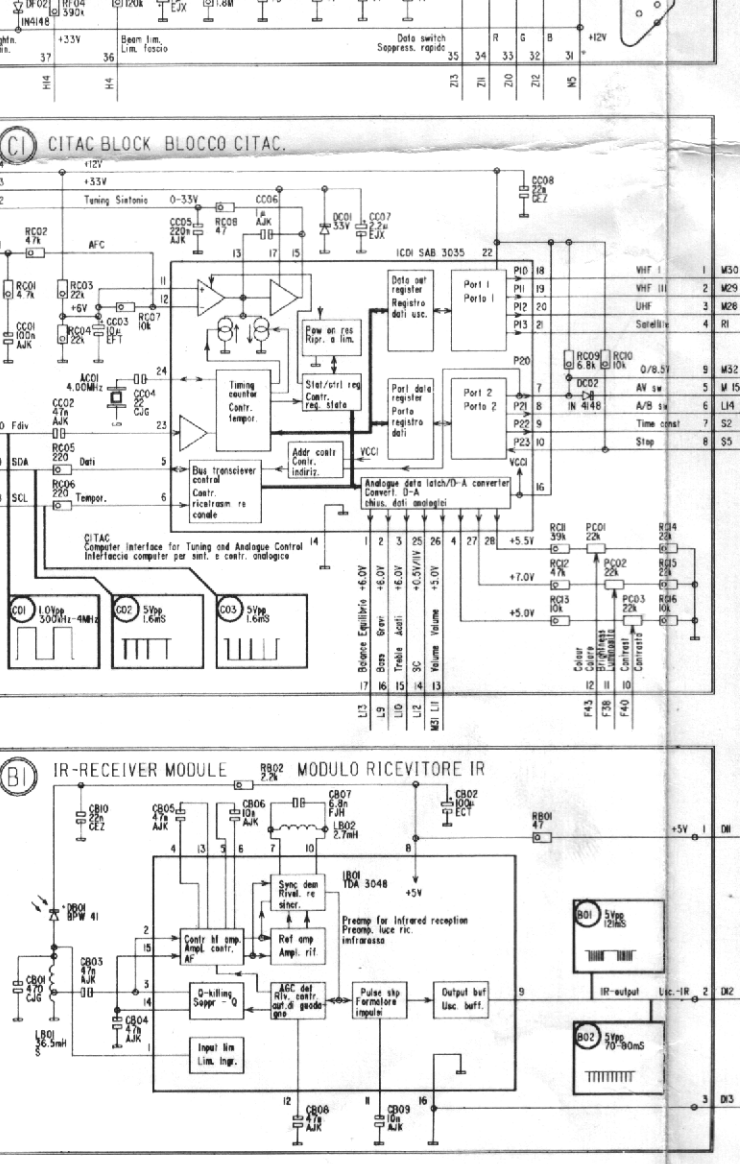
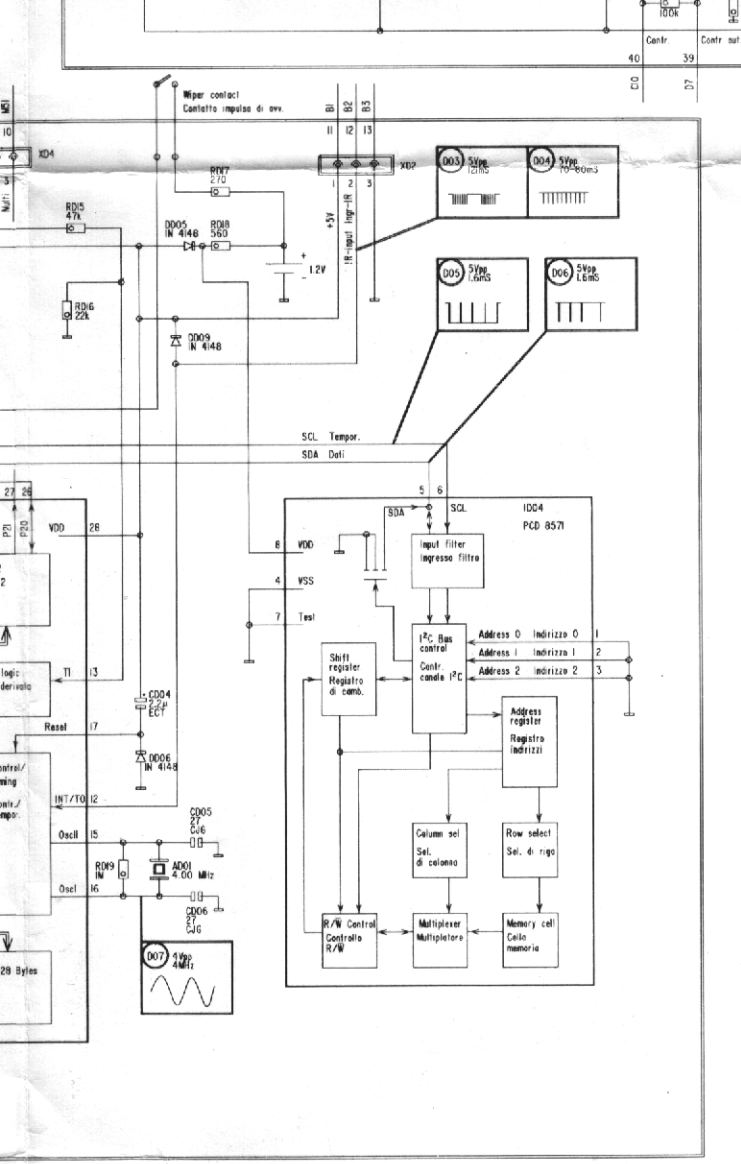
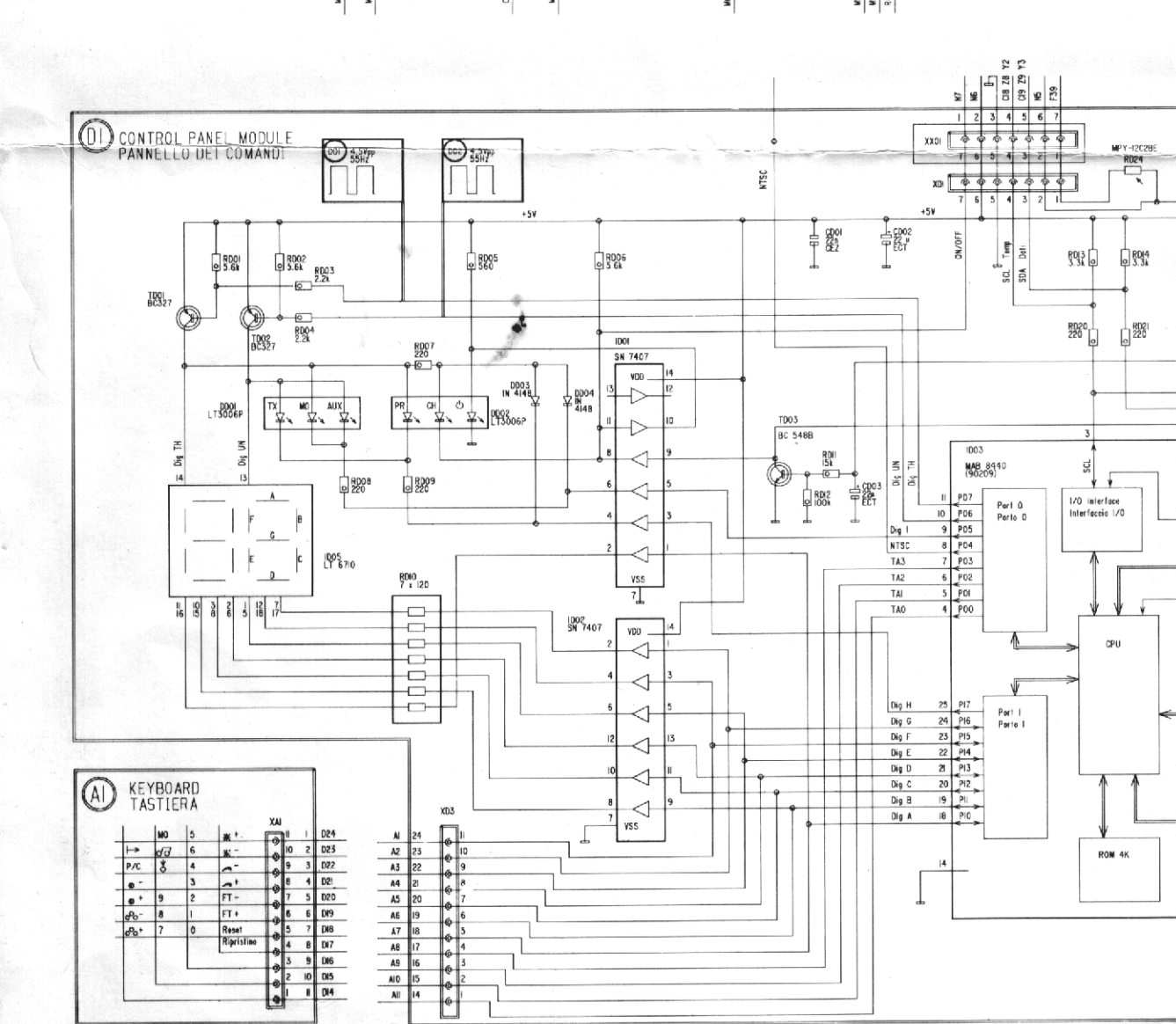
- Power Supply**
Adjust PN01 for 121V, on 90° sets and 142V, on 110° sets respectively in point \diamond Brightness and Contrast to minimum.
- Picture adjustments**
H-frequency — use PS02 and connect \diamond to ground.
H-phase — PS01 (horizontal centering).
Picture width — LH05 (110° sets only).
Picture height — PV02.
V-linearity — PV01.
V-centering — RV 11 or/and RV 12 connected to the jumper wire.
V-contrast — RV 14 or/and RV 15 connected to the jumper wire.
Focus — upper potentiometer on EHT transformer.
- IF adjustments**
AFC-detector
No antenna signal. Feed a 38.9 MHz signal (10mV) to \diamond and adjust LM08 for 6V in \diamond .
Video detector
Connect the antenna again. Adjust LM06 for minimum amplitude black to white in \diamond , measured with an oscilloscope.

Intercarrier detector, sound
Connect the oscilloscope to \diamond and minimize the video components in the signal with LM02.

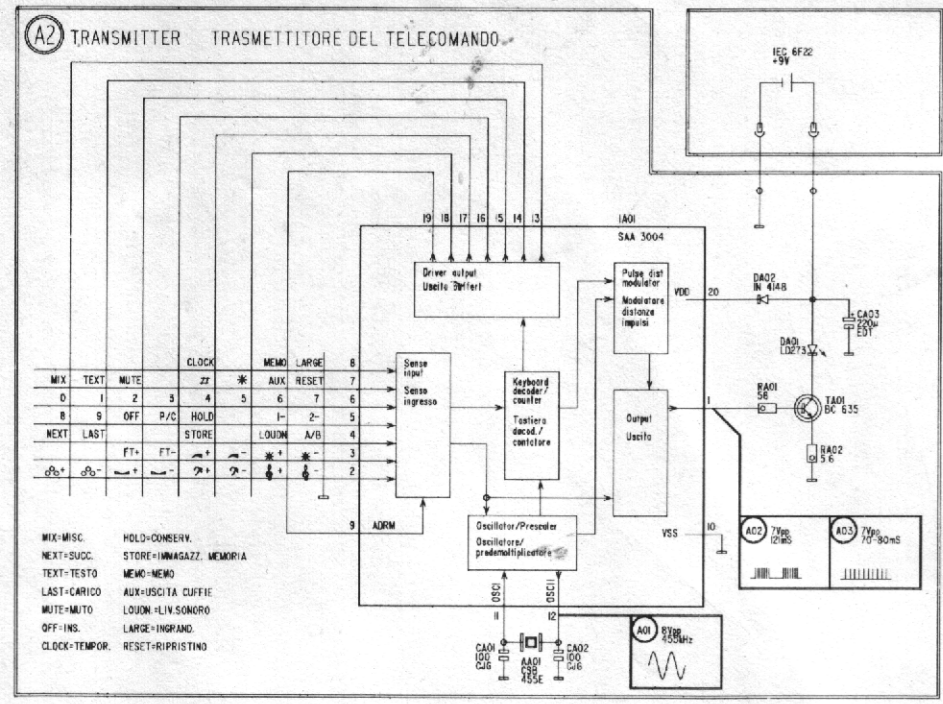
Segnale antenna: Configurazione di prova incl. barre colore e area 100% bianco.

- Alimentazione**
Regolare PN01 per 121V 90° sets (= valore di regolazione) e 142V 110° sets sul punto \diamond .
Brilliantezza e Contrasto al minimo.
Regolazione dell'immagine
Frequenza H — PS02 e con \diamond collegato a terra.
Fase H — PS01 (reg. centratura orizzontale).
Larghezza immagine — LH05 (solo 110° sets).
Altezza immagine — PV02.
Linearietà V. PV01.
Centratura V. \downarrow RV11 o/e RV12 collegato al filo di satellimento.
Centratura V. \downarrow RV14 o/e RV15 collegato al filo di satellimento.
Fuoco — potenziometro superiore su EHT (=Atteissima Tensione).
Rivelatore AFC
Nessun segnale di antenna. Inviare un segnale di 38,9 MHz (10 mV) a \diamond e regolare LM06 per 6V su \diamond .
- Regolazioni IF**
Rivelatore AFC
Nessun segnale di antenna. Inviare un segnale di 38,9 MHz (10 mV) a \diamond e regolare LM06 per 6V su \diamond .
- Regolazioni Video**
Ricollegare l'antenna. Regolare LM06 per la minima ampiezza bianco a nero su \diamond misurata con un oscilloscopio.
Rivelatore Intercarrier, Suono
Collegare l'oscilloscopio su \diamond e mi-

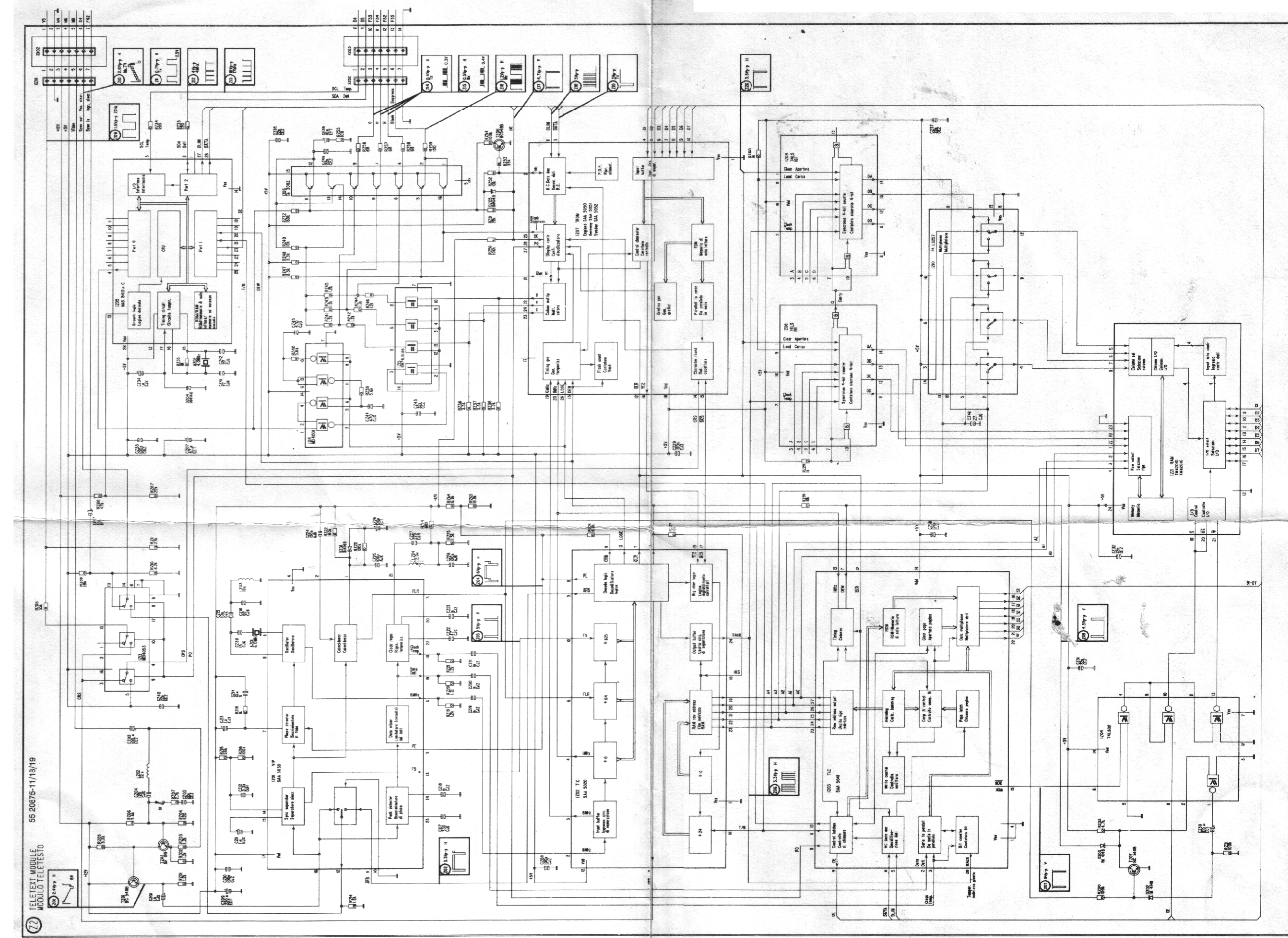
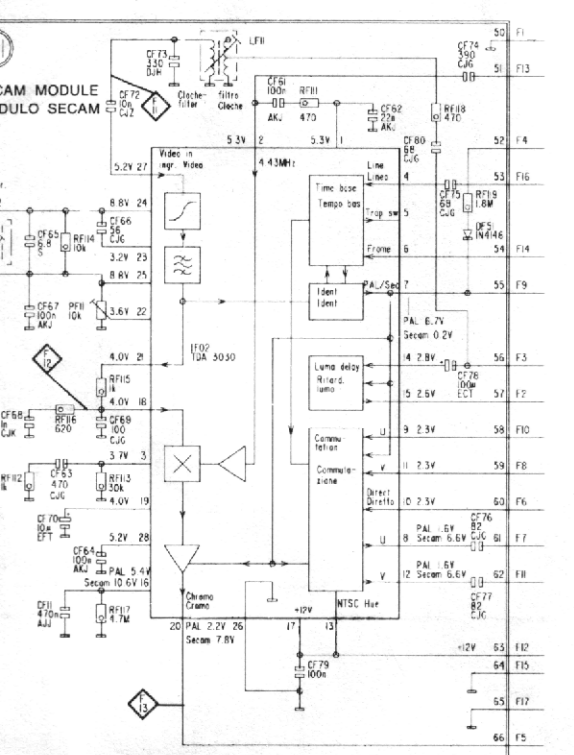
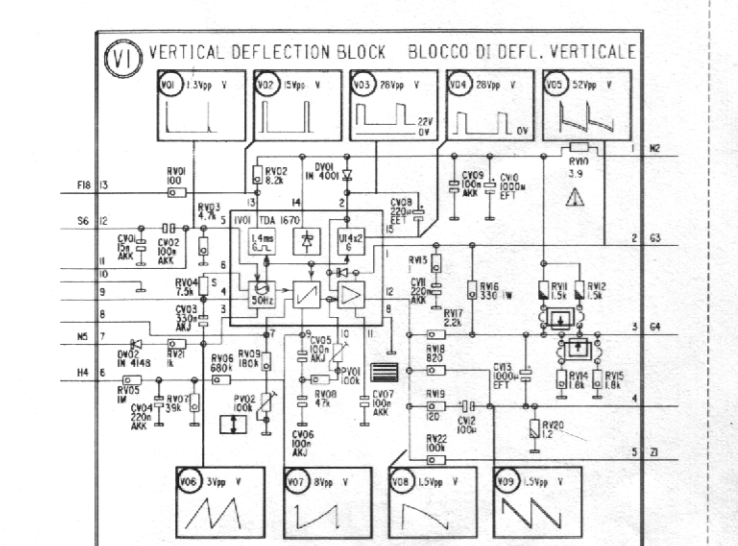
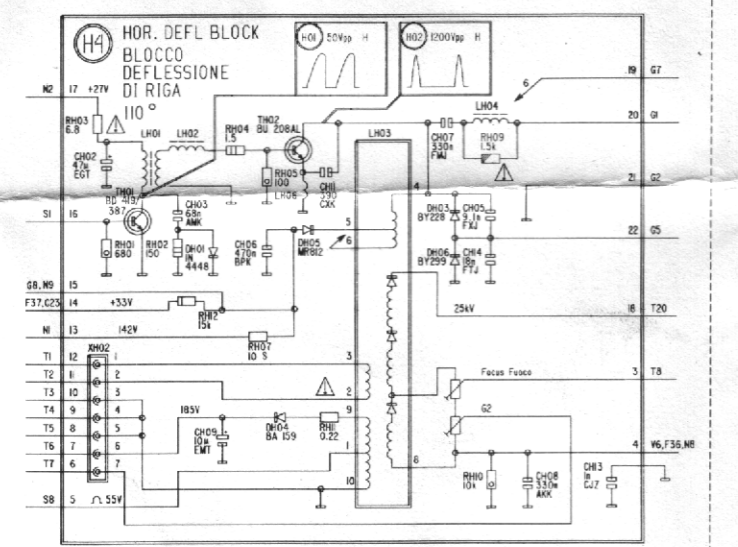
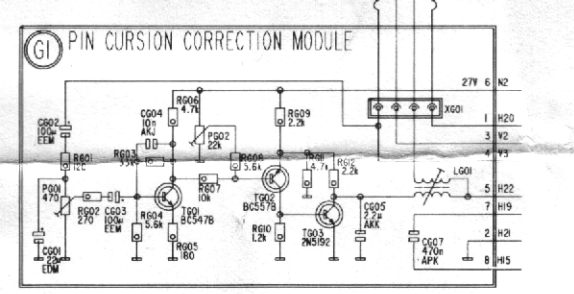
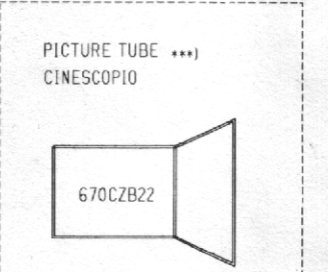
Check with an oscilloscope which of the three output stages has the highest DC level of the signal in points \diamond and \diamond respectively. Set the two reference lines (just behind the vertical blanking pulse), at the highest DC level output stage, to 130V with the G2-potentiometer. The G2-potentiometer is the lower one on the EHT transformer. Connect the oscilloscope to \diamond and adjust the black level to 10V above the reference lines with PC02.
Lower the ambient light, or cover the area between display and picture tube on the front panel, to avoid activating ambient light sensor (RD20).
With PC03, adjust the amplitude to 55V peak white to black. Connect the oscilloscope to \diamond and adjust to 57V with PF03 and then to \diamond and adjust 50V with PF04. If the range of PC03 does not cover 55V in \diamond , change the video amplitude a little in \diamond with PM01. The video amplitude must be within 0.9 Vpp—1.3 Vpp.



*) 6734, 6739 PICTURE TUBE CINESCOPIO (6706B23)
5644 PICTURE TUBE CINESCOPIO (6047B22)
**) 5634, 5639 PICTURE TUBE CINESCOPIO (6706B22)
***) 6734, 6739 PICTURE TUBE CINESCOPIO (6706B22)



*) 6734, 6739 PICTURE TUBE CINESCOPIO (670EGB22)
 5644 (560FZB22)
 **) 5634, 5639 PICTURE TUBE CINESCOPIO (670CZB22)
 5134, 5139
 ***) 6734, 6739 PICTURE TUBE CINESCOPIO (670CZB22)



Z1 (5520875-01/08/09) see circuit diagram T6C-8.4 (Part no. 66 75134-63)