

A
B
C
D
E
F
G
H

EXTDATA(0:31)

FRONT END BLOCK

FRONTEND_SC
 FRONTEND_SDA
 EB_CLK403
 PAL_A_V(0:2)
 FRONTEND_C1
 FRONTEND_C2
 PAL_DVB
 RF_A_HGND
 RF_CVBS
 CH3:4
 BG_L_NORM
 TUNE_IN
 RESET_DMA
 LNB_IN(0:1)
 HSDI_SIG(0:8)
 HSDI_DATA(0:7)
 HSDI_STATUS(0:1)
 GENERAL_IO(0:5)
 IIC(0:1)
 MOD_RESET_B
 sheet 10 (F)

HOST2 BLOCK

EB_CLK402
 READ_STROBE
 CD1
 CD2
 MOD_RESET_A
 IRO_RDY1
 IRO_RDY2
 +3.3V_SEP
 GND_SEP
 LNB_LARM
 DISEQ
 UARTDQ(0:5)
 O.E
 INT_VER
 MOD_EC(0:10)
 MOD_RESET_B
 HSDI_SIG(0:8)
 HSDI_DATA(0:7)
 HSDI_STATUS(0:1)
 GENERAL_IO(0:5)
 IIC(0:1)
 EXTDATA(0:31)
 EXTADDR(0:24)
 EB_OUT(0:2)
 CHIP_SELECT(0:6)
 JTAG_M_OUT(0:2)
 TDO
 RESET
 CLK_27
 sheet 4 (D)

1284 BLOCK

HSDI_STATUS(0:1)
 HSDI_DATA(0:7)
 HSDI_SIG(0:8)
 1284_LEVEL
 sheet 8 (E)

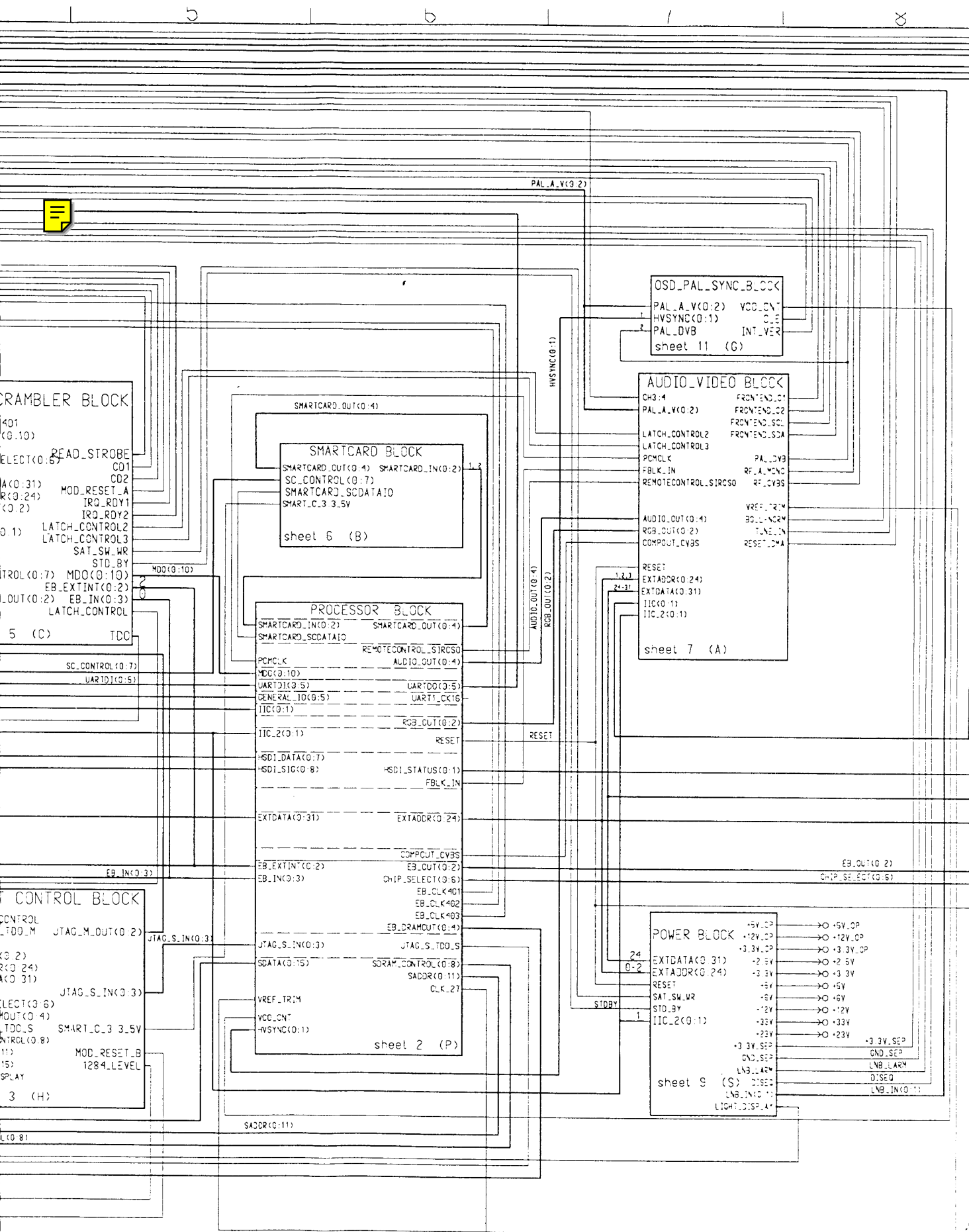
DES

EB_CLK
 MODI.E
 CHIP
 RESE
 EXTDA
 EXTAD
 EB_OUT
 IIC.2
 SC.CO
 JTAG
 sheet

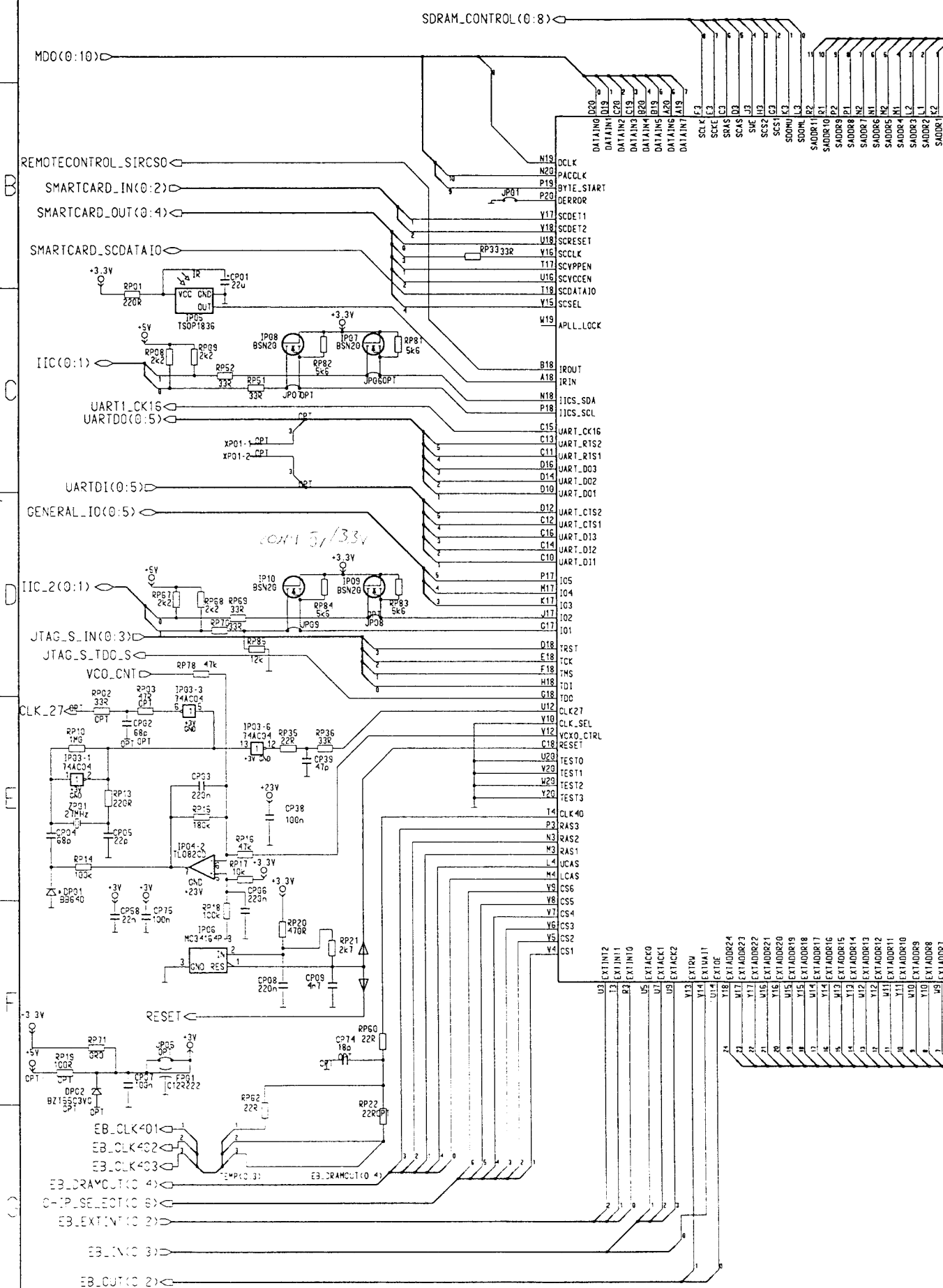
HOS

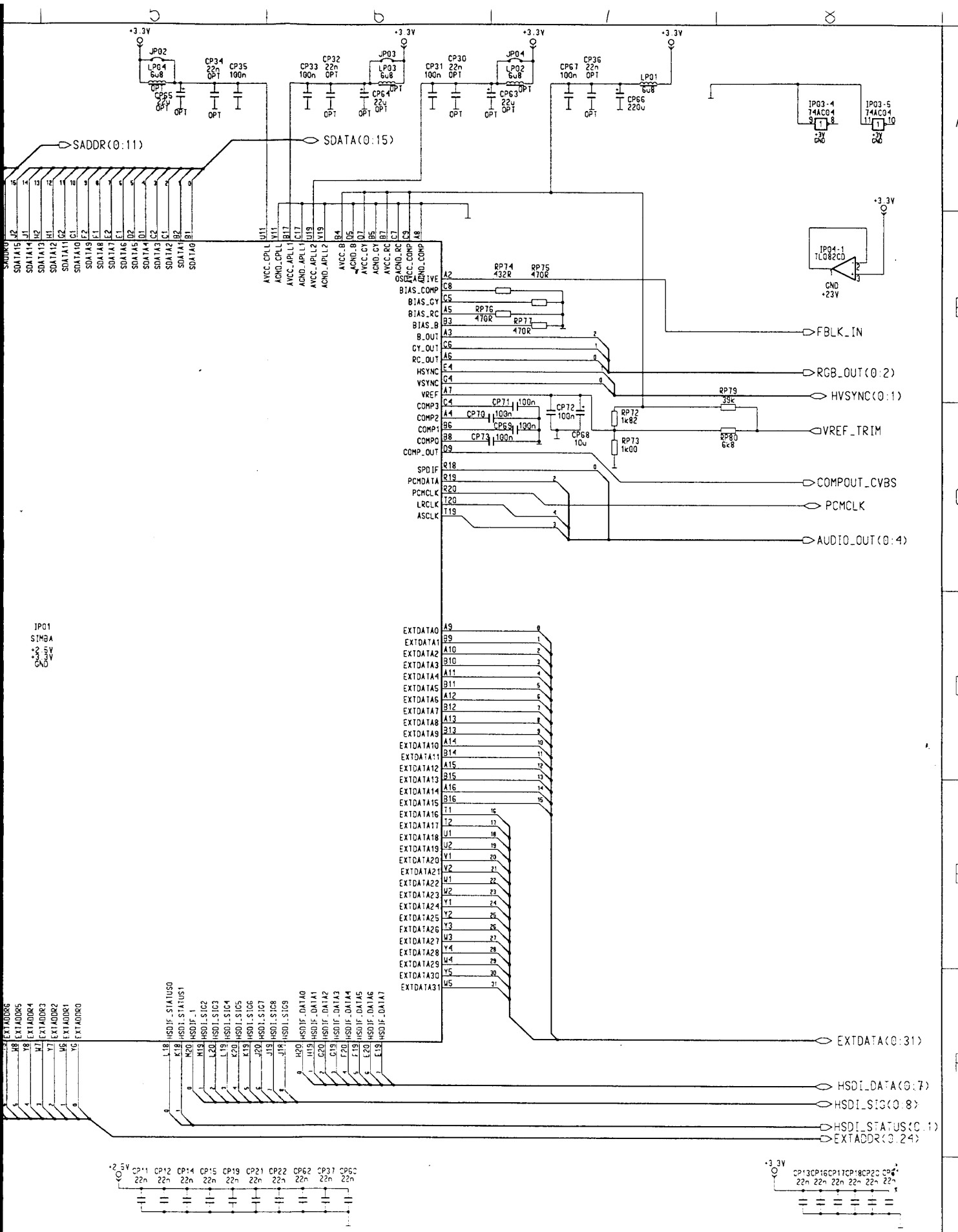
LATCH
 JTAG
 EB_OUT
 EXTAD
 EXTDA
 RESE
 CHIP
 EB_DR
 JTAG
 SDRAM
 SADDR
 SDATA
 LIGHT
 sheet
 SDRAMCNT

NOKIA SATELLITE SYSTEMS AB MOTALA SWEDEN
 THIS DRAWING IS OUR PROPERTY AND MUST NOT WITHOUT OUR PERMISSION BE
 COPIED OR SHOWN OR GIVEN TO THIRD PERSON. VIOLATION OF THESE STIPULATIONS
 WILL BE SUBJECT TO LEGAL MEASURES ACCORDING TO EXISTING LAW.

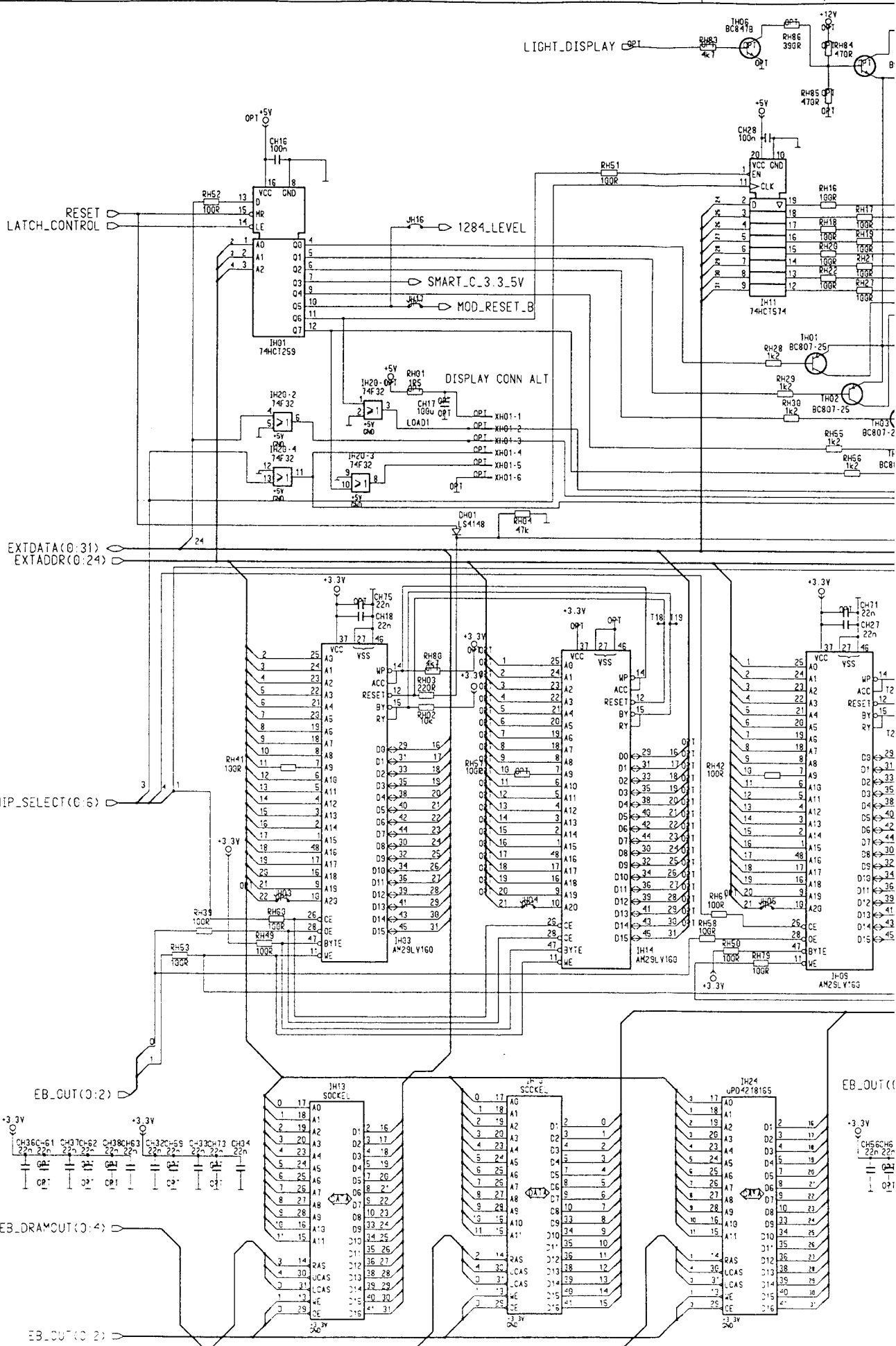


NOKIA SATELLITE SYSTEMS AB MOTALA SWEDEN
 THIS DRAWING IS OUR PROPERTY AND MUST NOT WITHOUT OUR PERMISSION BE
 REPRODUCED OR SHOWN OR GIVEN TO THIRD PERSON. VIOLATION OF THESE STIPULATIONS
 WILL BE SUBJECT TO LEGAL MEASURES ACCORDING TO EXISTING LAW

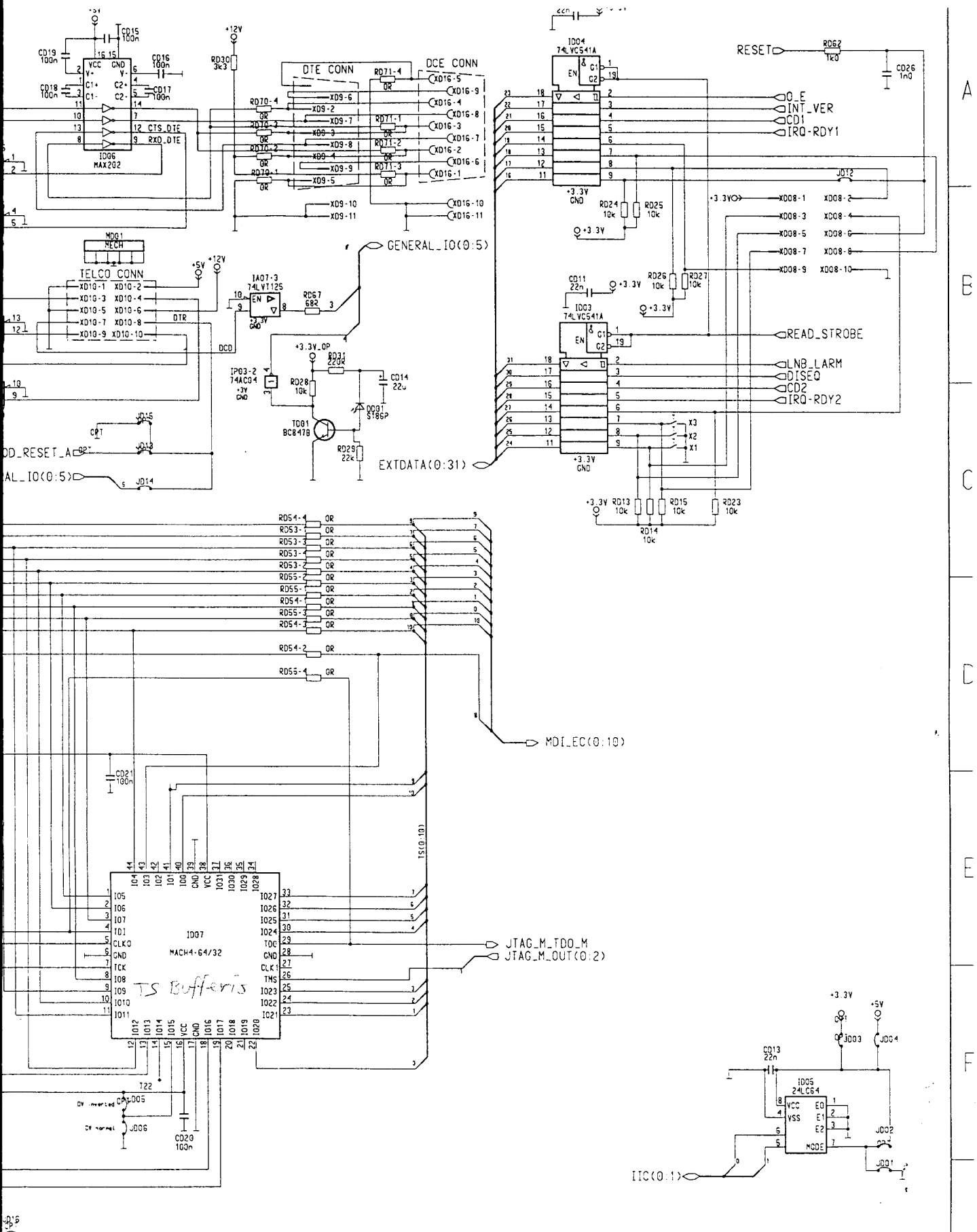




NOKIA SATELLITE SYSTEMS AB MOTALA SWEDEN
THIS DRAWING IS OUR PROPERTY AND MUST NOT WITHOUT OUR PERMISSION BE
PIED OR SHOWN OR GIVEN TO THIRD PERSON. VIOLATION OF THESE STIPULATIONS
WILL BE SUBJECT TO LEGAL MEASURES ACCORDING TO EXISTING LAW.

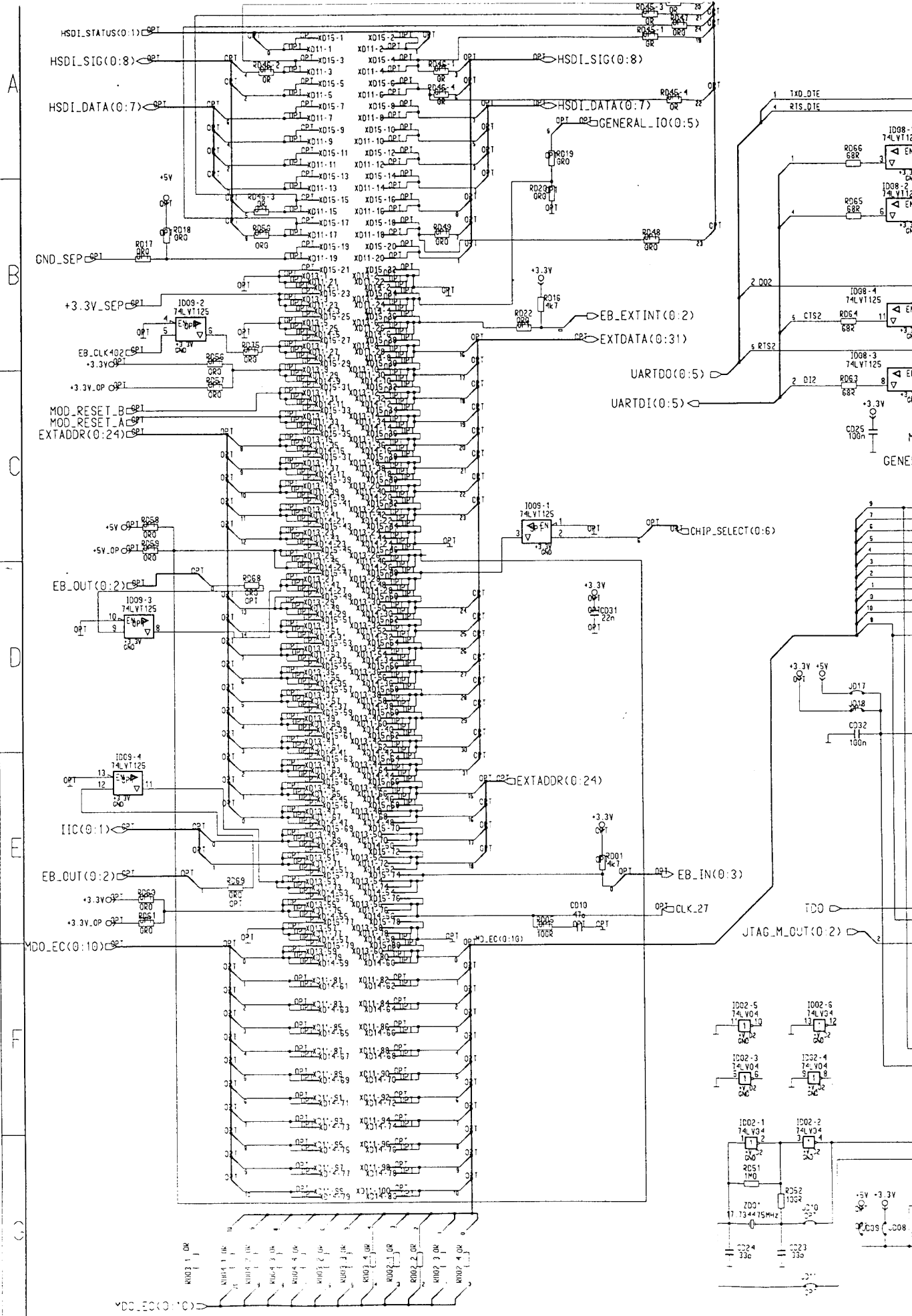


A
B
C
D
E
F



A
E
C
D
E
F

NOKIA SATELLITE SYSTEMS AB MOJALA, SWEDEN
 THIS DRAWING IS OUR PROPERTY AND MUST NOT WITHOUT OUR PERMISSION BE
 REPRODUCED OR SHOWN OR GIVEN TO THIRD PERSON. VIOLATION OF THESE STIPULATIONS
 WILL BE SUBJECT TO LEGAL MEASURES ACCORDING TO EXISTING LAW.



A

B

C

D

E

F

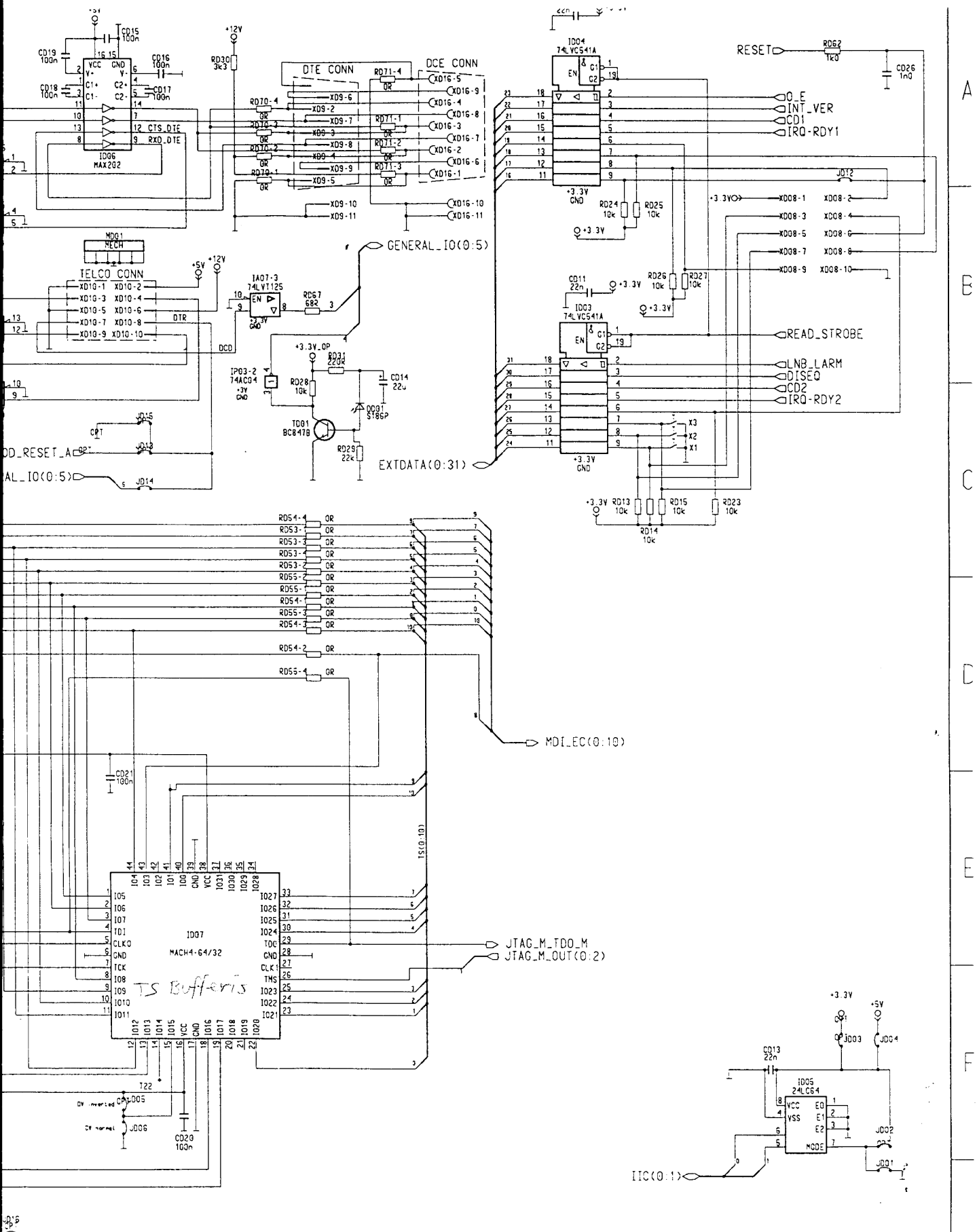
G

GENERAL

TDO

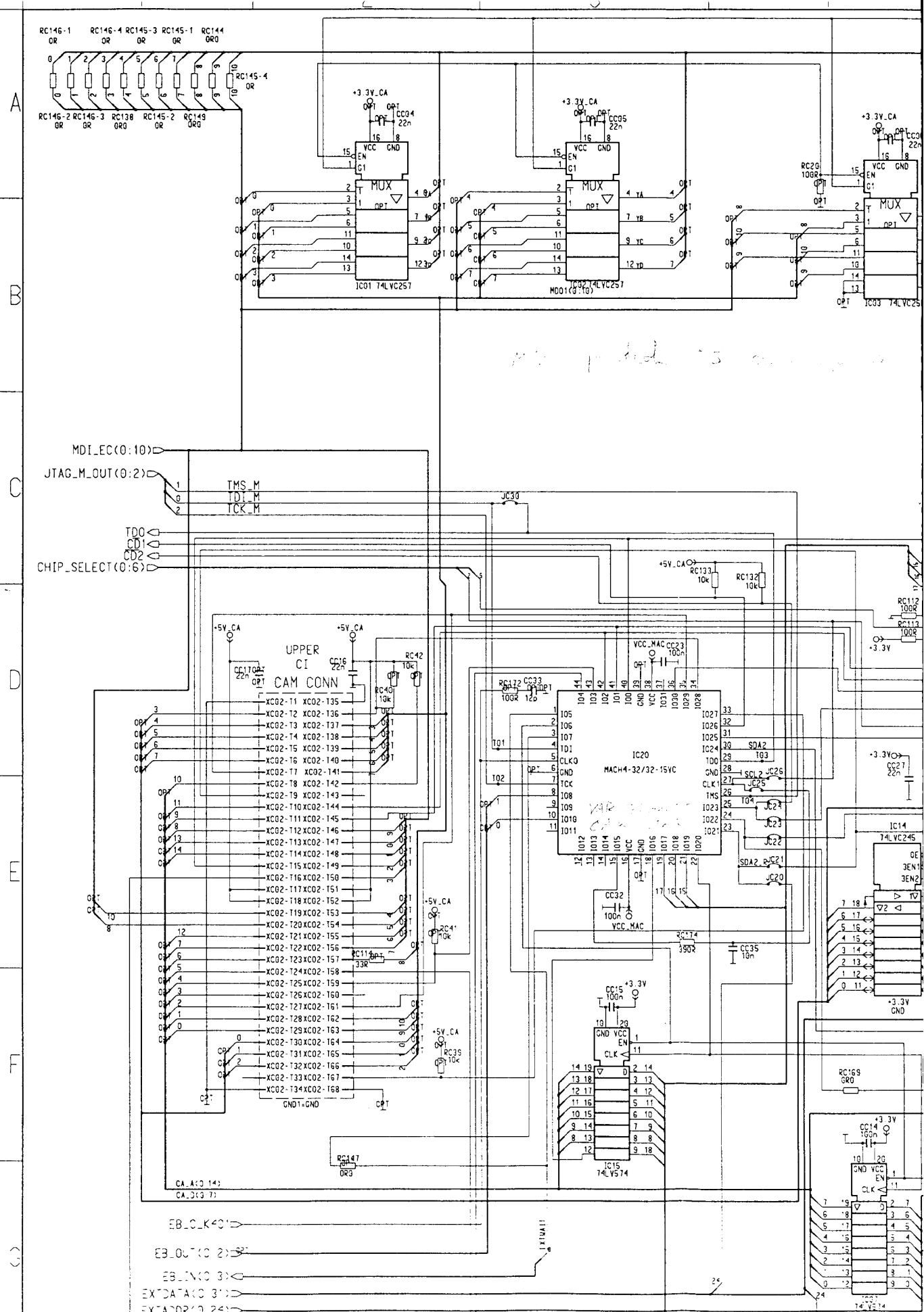
DC_ECK(0:10)

DC_ECK(0:10)



A
E
C
D
E
F

NOKIA SATELLITE SYSTEMS AB MOJALA SWEDEN
 THIS DRAWING IS OUR PROPERTY AND MUST NOT WITHOUT OUR PERMISSION BE
 REPRODUCED OR SHOWN OR GIVEN TO THIRD PERSON. VIOLATION OF THESE STIPULATION
 WILL BE SUBJECT TO LEGAL MEASURES ACCORDING TO EXISTING LAW.



not printed to assembly

A

B

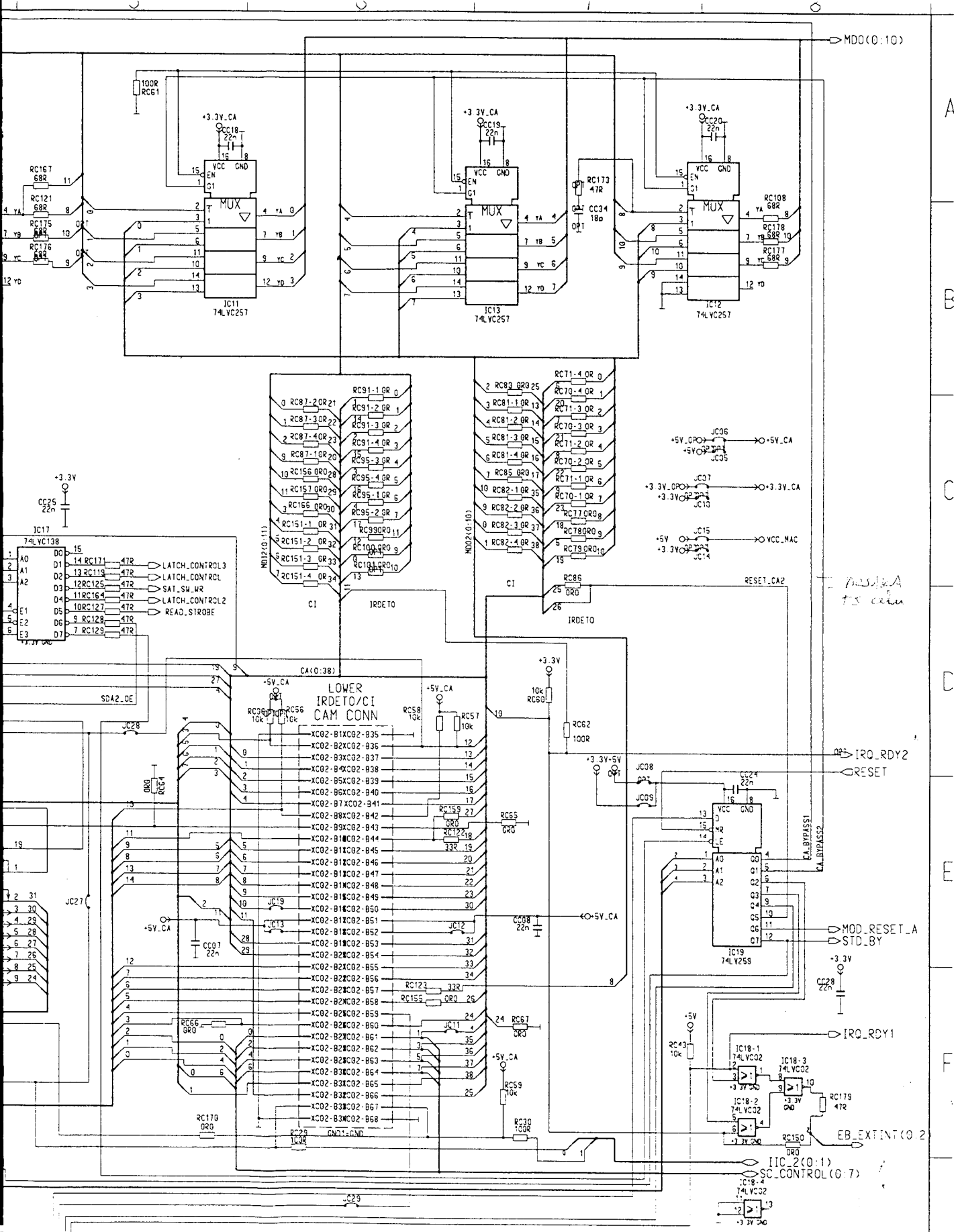
C

D

E

F

G



A

E

C

C

E

F

C

NOKIA

Johansson Thomas

Johansson Thomas

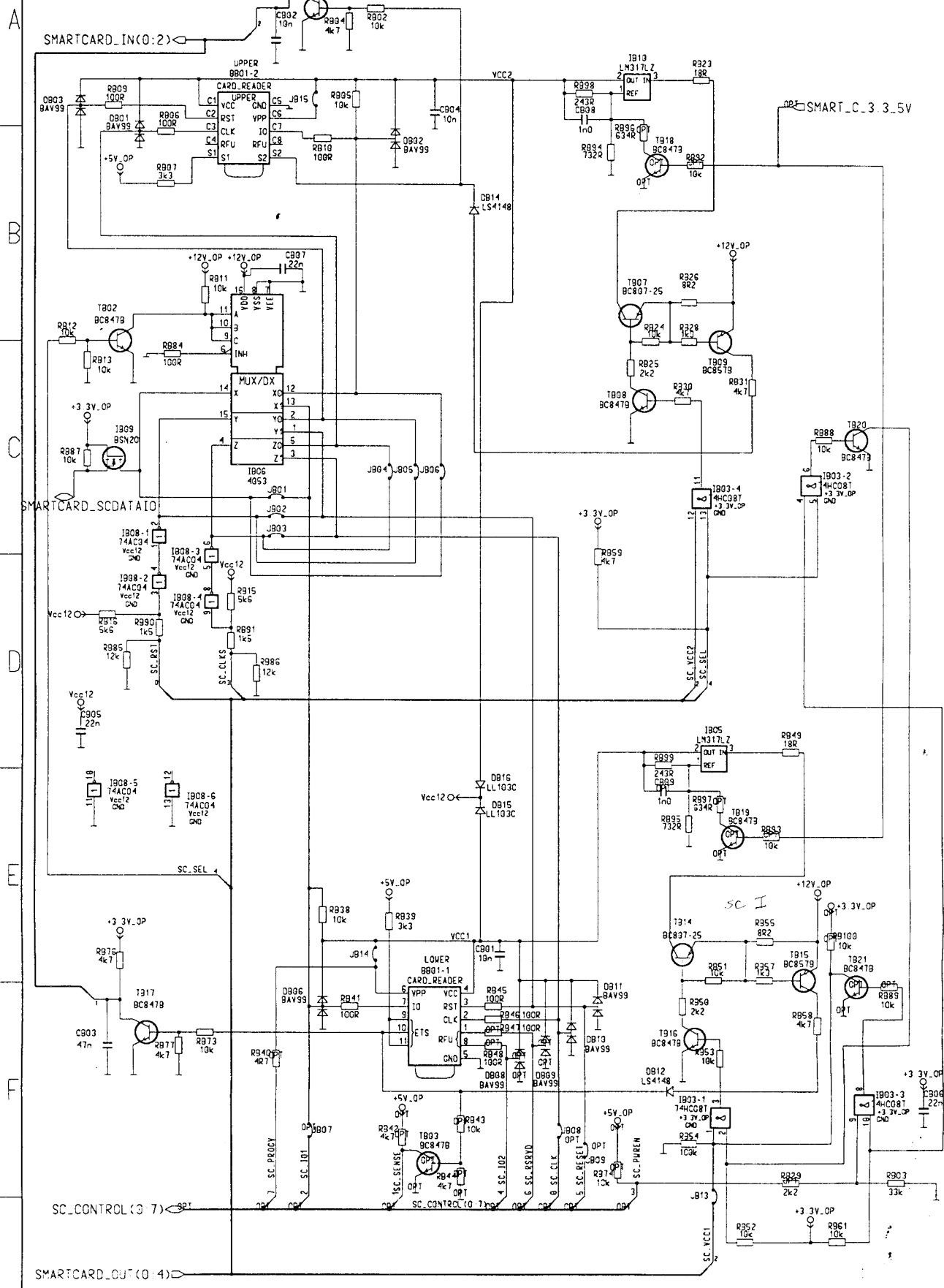
PART OF 26269286

Responsible for

Feb 22 1998

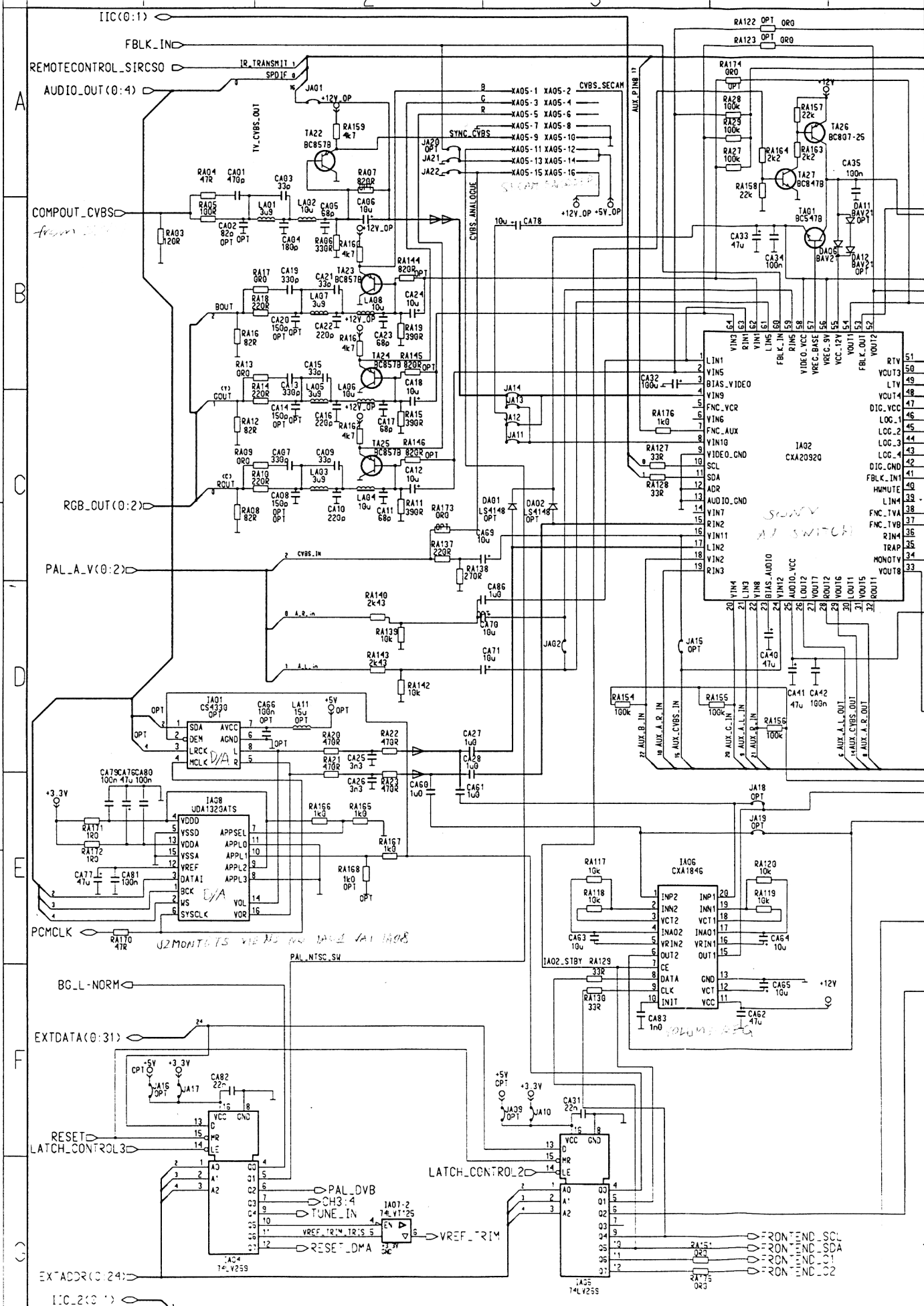
SCM

REV



RAD		CAE		PAR. OF		
Johansson Thomas		Johansson Thomas		262692861		
TITLE				DATE	BOM	REV
Smartcard block				Feb 22 '99		
MAIN BOARD				Sheet	PCB	REV
				6 of 11	55 11953-02	1

THIS DRAWING IS OUR PROPERTY AND MUST NOT WITHOUT OUR PERMISSION BE REPRODUCED OR SHOWN OR GIVEN TO THIRD PERSON. VIOLATION OF THESE STIPULATIONS WILL BE SUBJECT TO LEGAL PROSECUTIONS ACCORDING TO EXISTING LAWS.

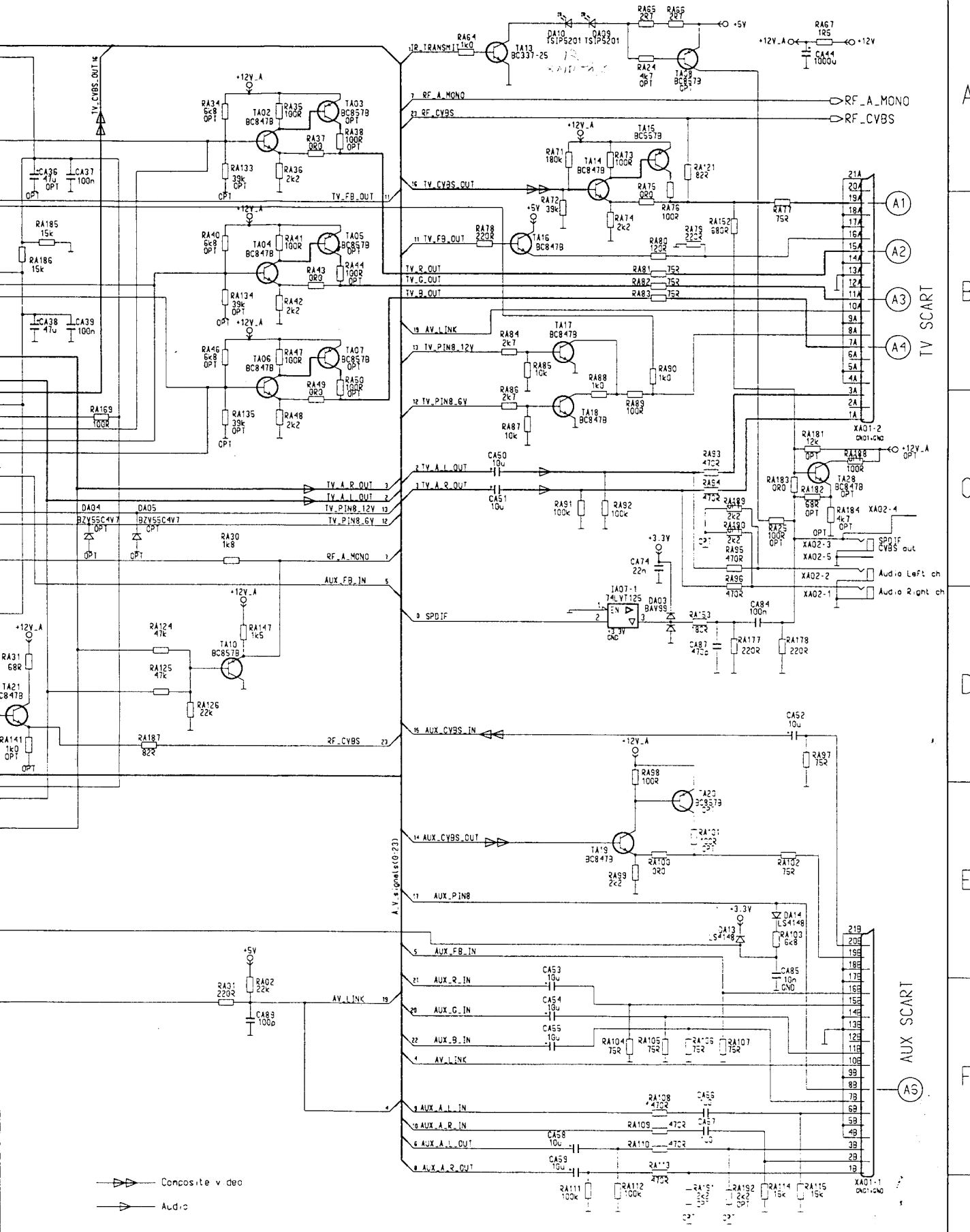


SPANNY
A1 SWITCH

J2 MONTAGE VIDEO NO DATA IN JACK

ROLOWE 200

1	2	3	4	5	6	7	8	9	10	11	12
RTV	VCUT3	LTV	VCUT4	DIC_VCC	LOC_1	LOC_2	LOC_3	LOC_4	DIC_OUT	FBK_IN1	HUMUTE
38	39	40	41	42	43	44	45	46	47	48	49
FNC_TV8	RIN4	LIM4	FNC_LTV8	DIC_TV8	LOC_5	LOC_6	LOC_7	LOC_8	DIC_OUT	FBK_OUT	VOUT2
50	51	52	53	54	55	56	57	58	59	60	61
VOUT3	VOUT4	VOUT5	VOUT6	VOUT7	VOUT8	VOUT9	VOUT10	VOUT11	VOUT12	VOUT13	VOUT14



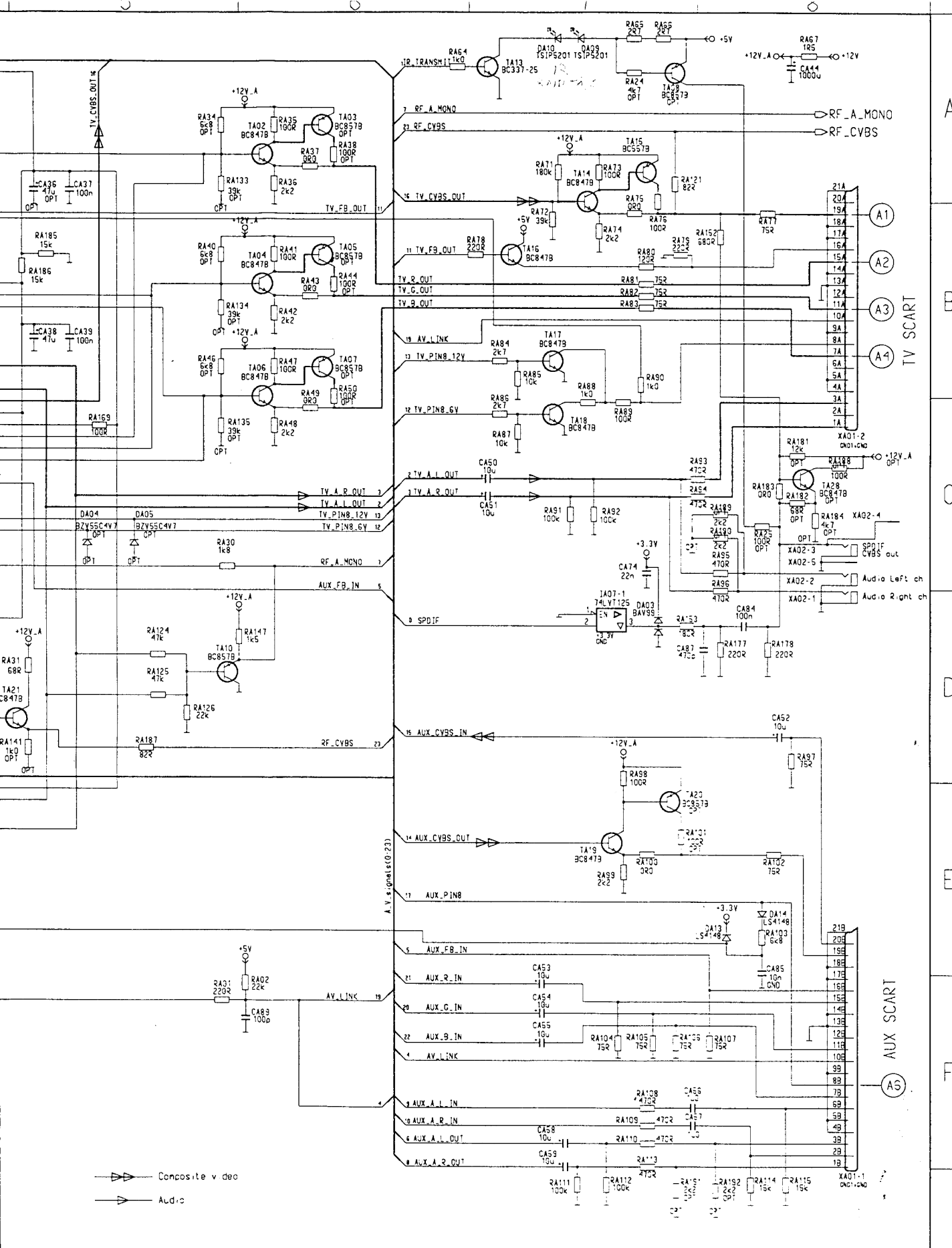
Composite video
 Audio

NOKIA
 MULTIMEDIA NETWORK TERMINALS

Design: Johansson Thomas
 Date: Feb 22 1999
 Title: Audio/Video Block MAIN BOARD
 Rev: 35

Part No: 282892861
 Rev: 35 1995-02

A, B, C, D, E, F, G, H, I, J, K, L, M, N, O, P, Q, R, S, T, U, V, W, X, Y, Z

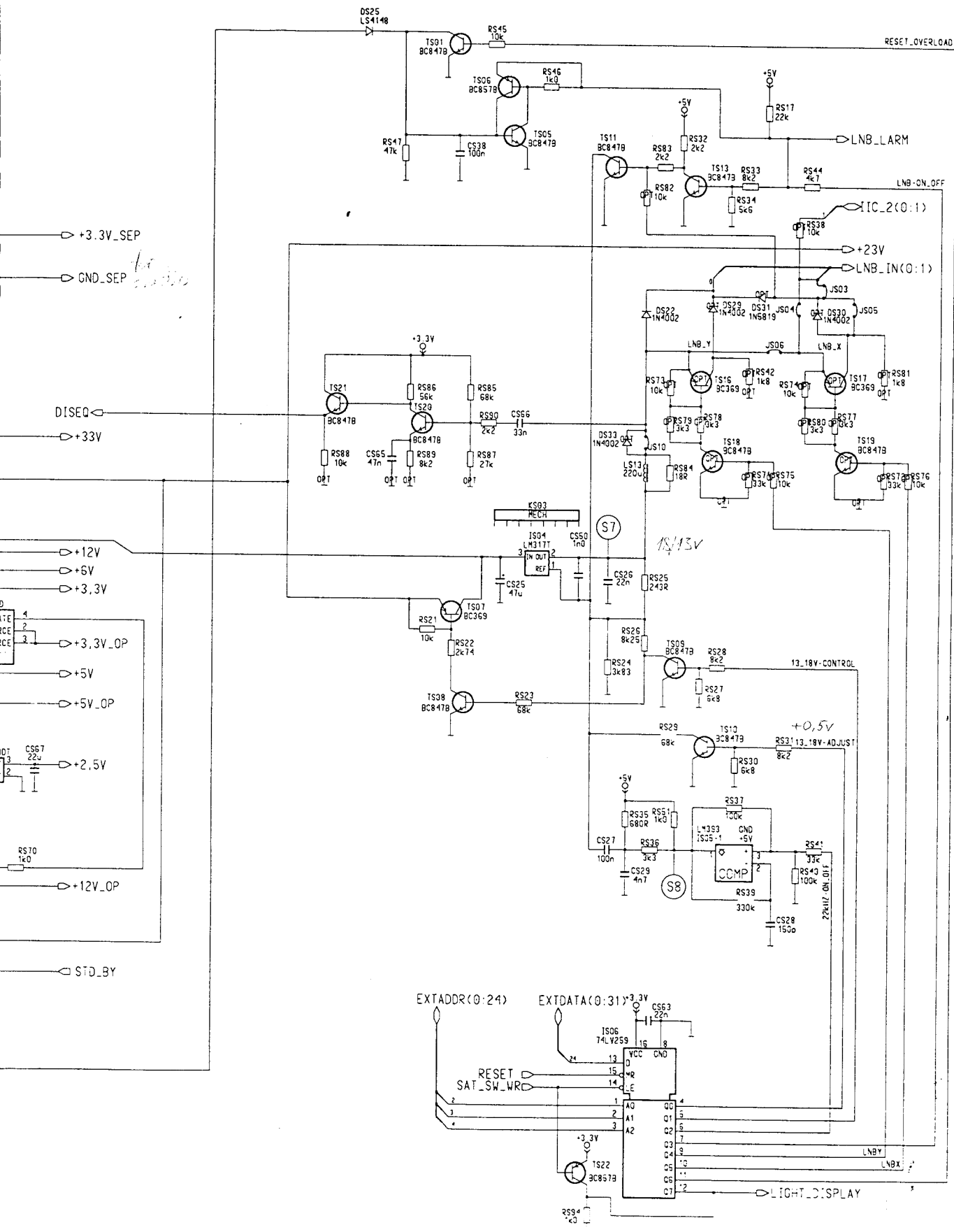


Composite v deo
 Audio

NOKIA
 MULTIMEDIA NETWORK TERMINALS

Johansson Thomas Johansson Thomas 25239286
 DATE DATE DATE
 Audio/Video Block Feb 22 1999
 MAIN BOARD

55 1953-02

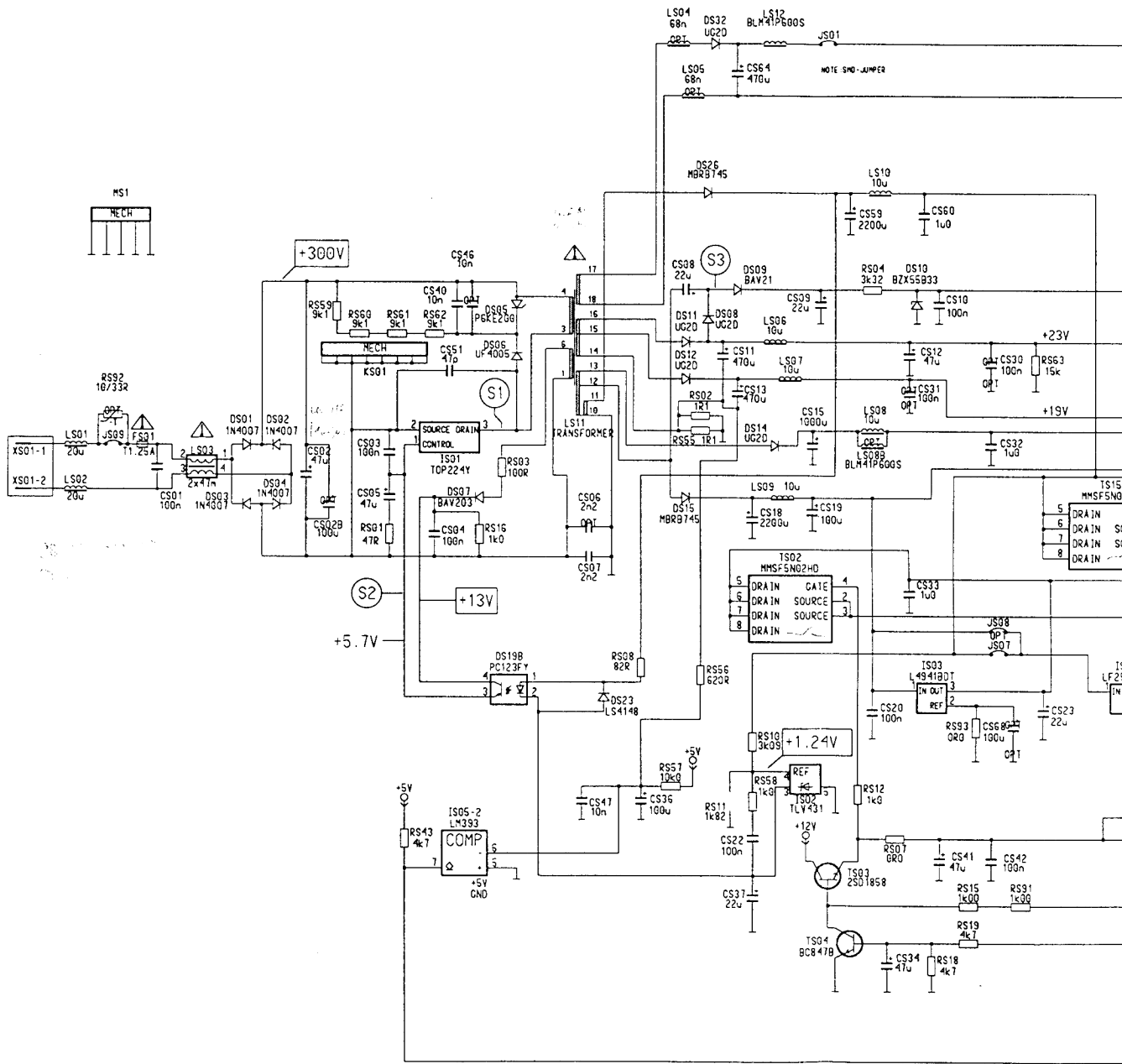


A
B
C
D
E
F

NOKIA MULTIMEDIA NETWORK TERMINALS	RAD Johansson Thomas	CAE Johansson Thomas	PART OF 25269286
	TITLE Power BLOCK MAIN BOARD	DATE Feb 22 '99	REV -
	SHEET 6 of 11	PCB 65 11953-02	REV -
	65 11953-02		

THIS DRAWING IS OUR PROPERTY AND MUST NOT WITHOUT OUR PERMISSION BE REPRODUCED OR SHOWN OR GIVEN TO THIRD PERSON. VIOLATION OF THESE STIPULATIONS WILL BE SUBJECT TO LEGAL MEASURES ACCORDING TO EXISTING LAW.

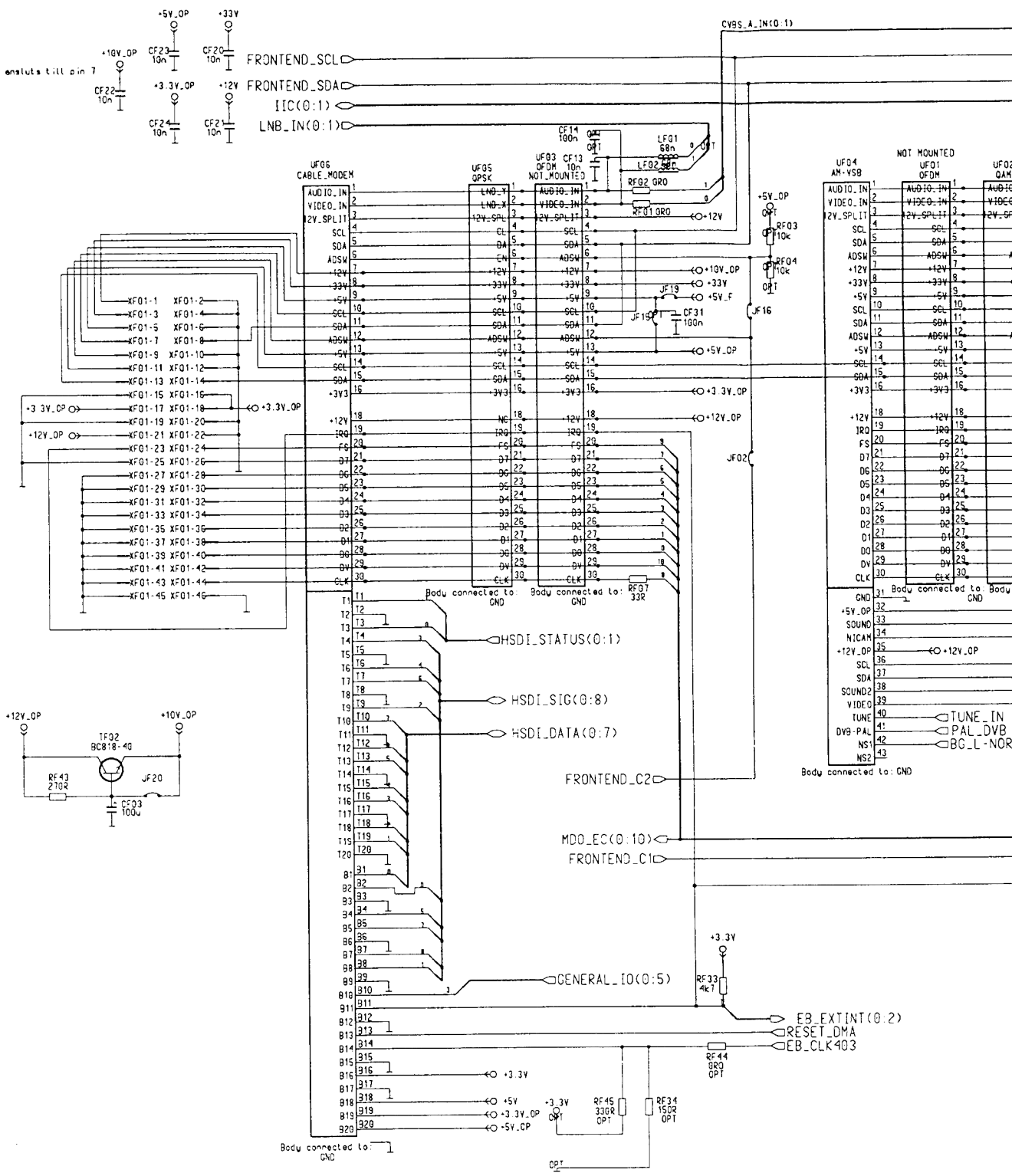
A
B
C
D
E
F



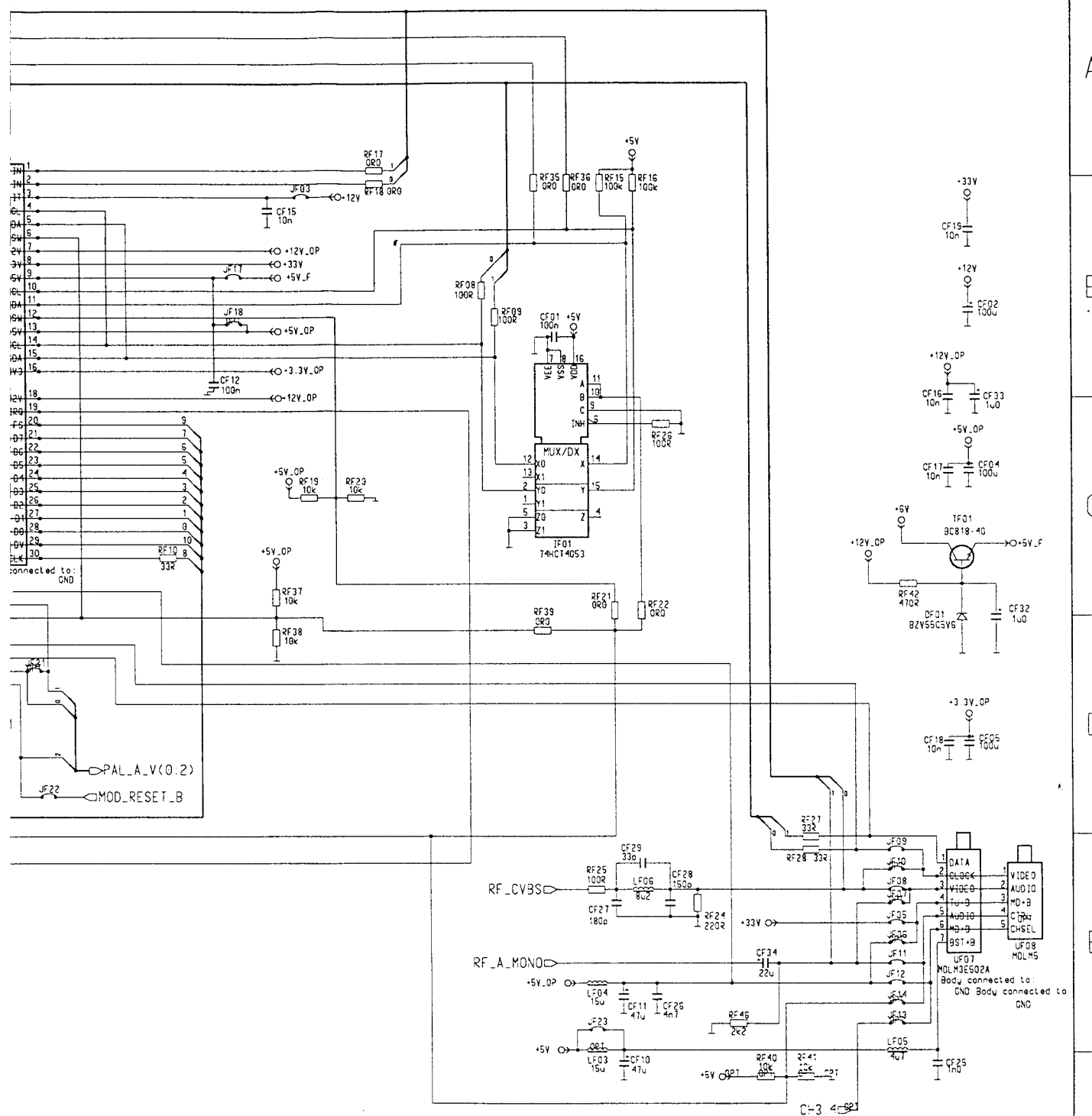
NOKIA SATELLITE SYSTEMS AB MUTALA SWEDEN

THIS DRAWING IS OUR PROPERTY AND MUST NOT WITHOUT OUR PERMISSION BE REPRODUCED OR SHOWN OR GIVEN TO THIRD PERSON. VIOLATION OF THESE STIPULATIONS WILL BE SUBJECT TO LEGAL MEASURES ACCORDING TO EXISTING LAW.

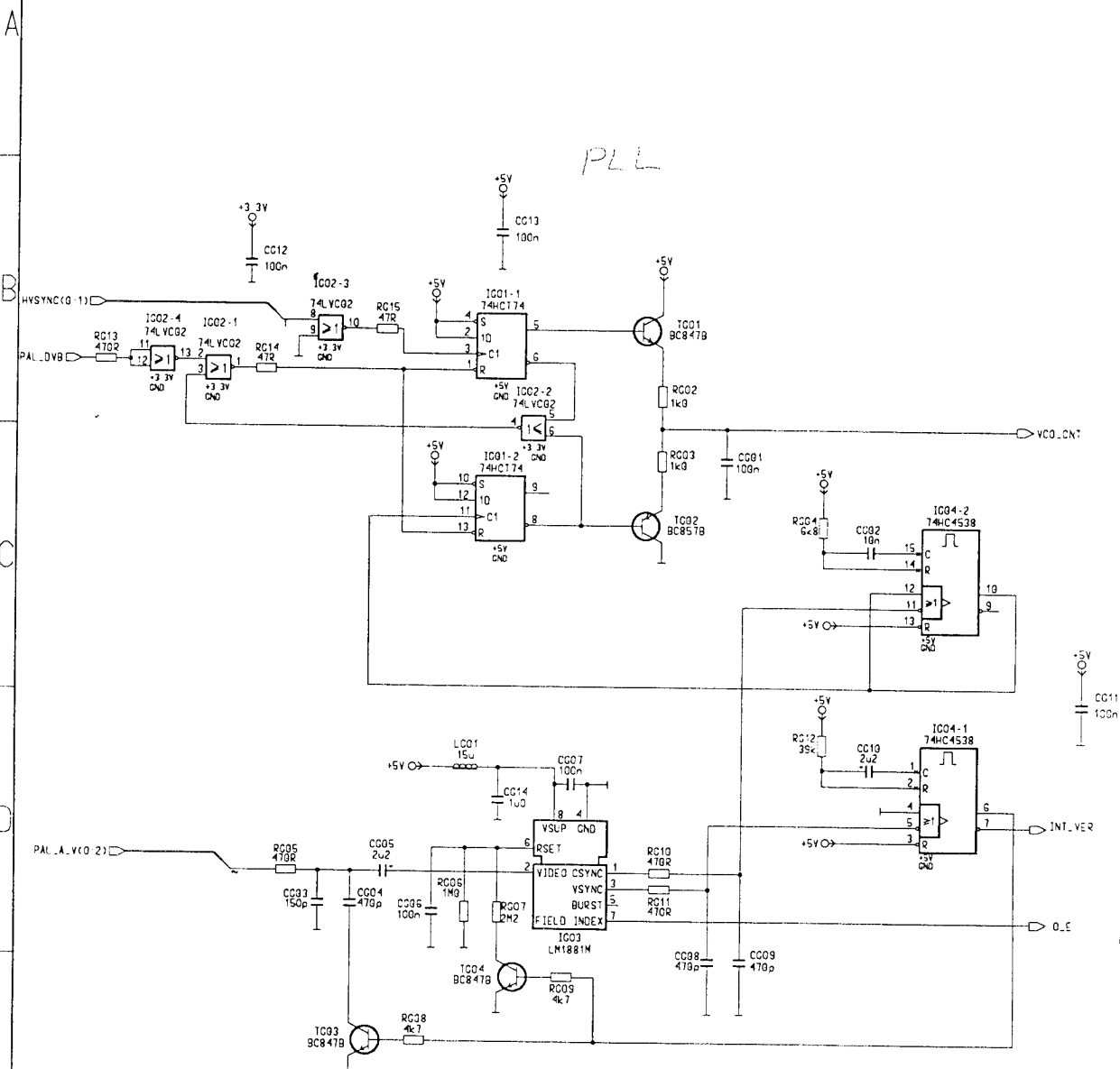
A
B
C
D
E
F



MDO - MDO DATA OUT



THIS DRAWING IS OUR PROPERTY AND MUST NOT WITHOUT OUR PERMISSION BE COPIED OR SHOWN OR GIVEN TO THIRD PERSON. VIOLATION OF THESE STIPULATIONS WILL BE SUBJECT TO LEGAL MEASURES ACCORDING TO EXISTING LAW.



NOKIA MULTIMEDIA NETWORK TERMINALS	R4D Johansson Thomas	CAE Johansson Thomas	PART OF 25269283
	TITLE OSD_PAL_SYNC_BLOCK	DATE Feb 22 '99	SHEET 1 of 11
	MAIN BOARD	PCB 55 11953-02	REV 1
	2	3	4