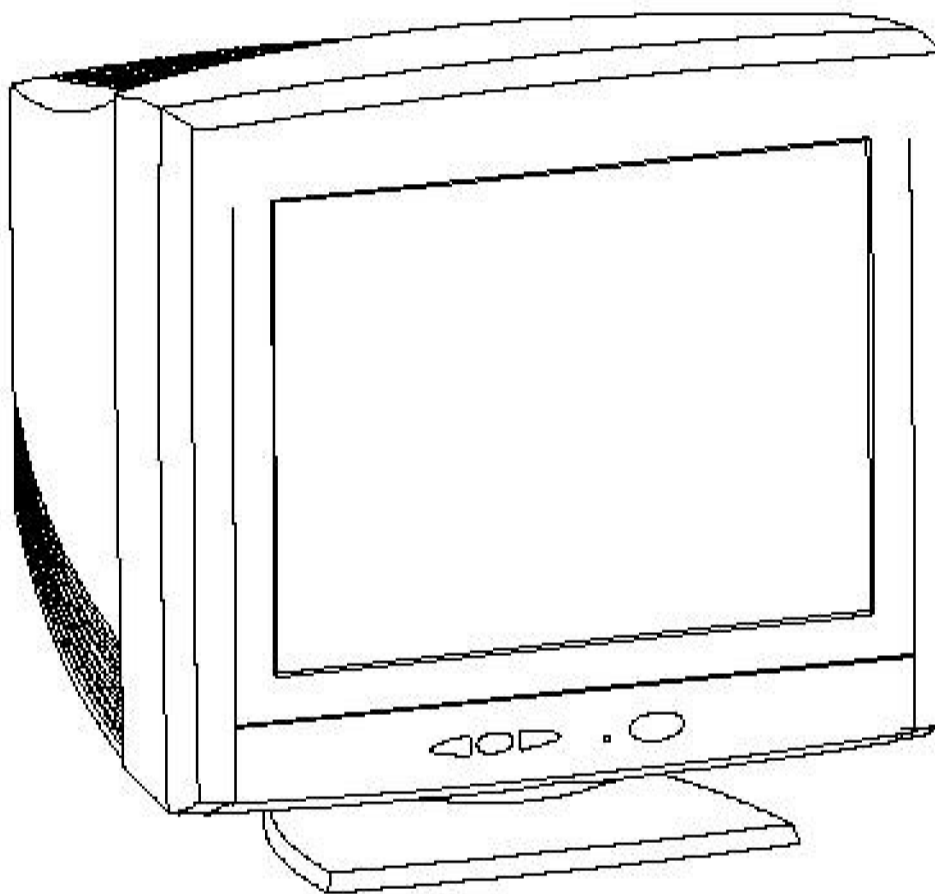


Service Manual

Nokia Display Products Oy
P.O.Box 14
FIN-24101 Salo, Finland

Chassis 445N

21" High Resolution Colour Monitor 445PRO



Contents

Service
Monitor Dismantling
Part List
PCB Part List
PCB Layout pictures

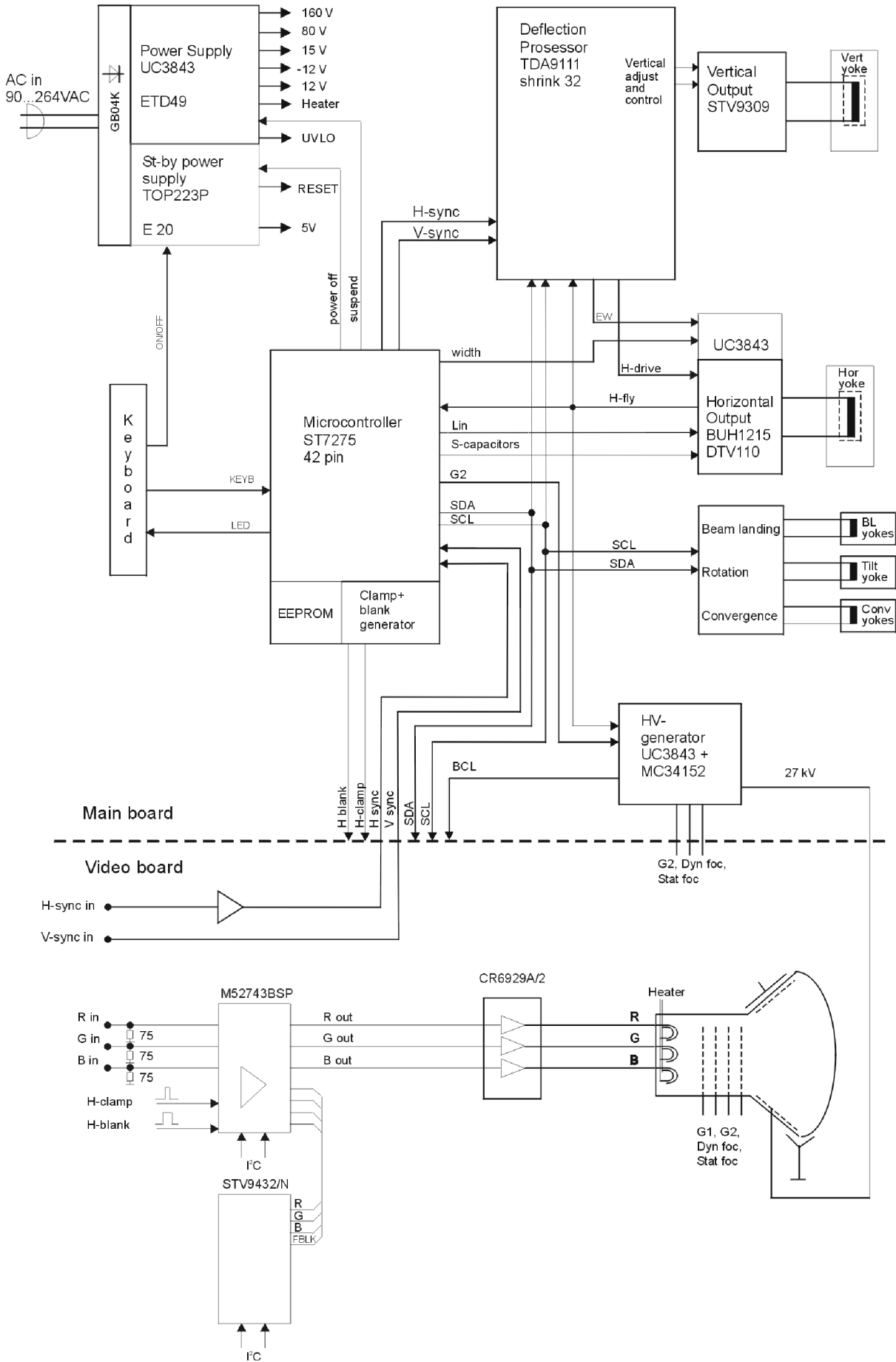
<http://www.schema99.d2.cz/>
<http://www.schema99.fbi.cz/>

Level

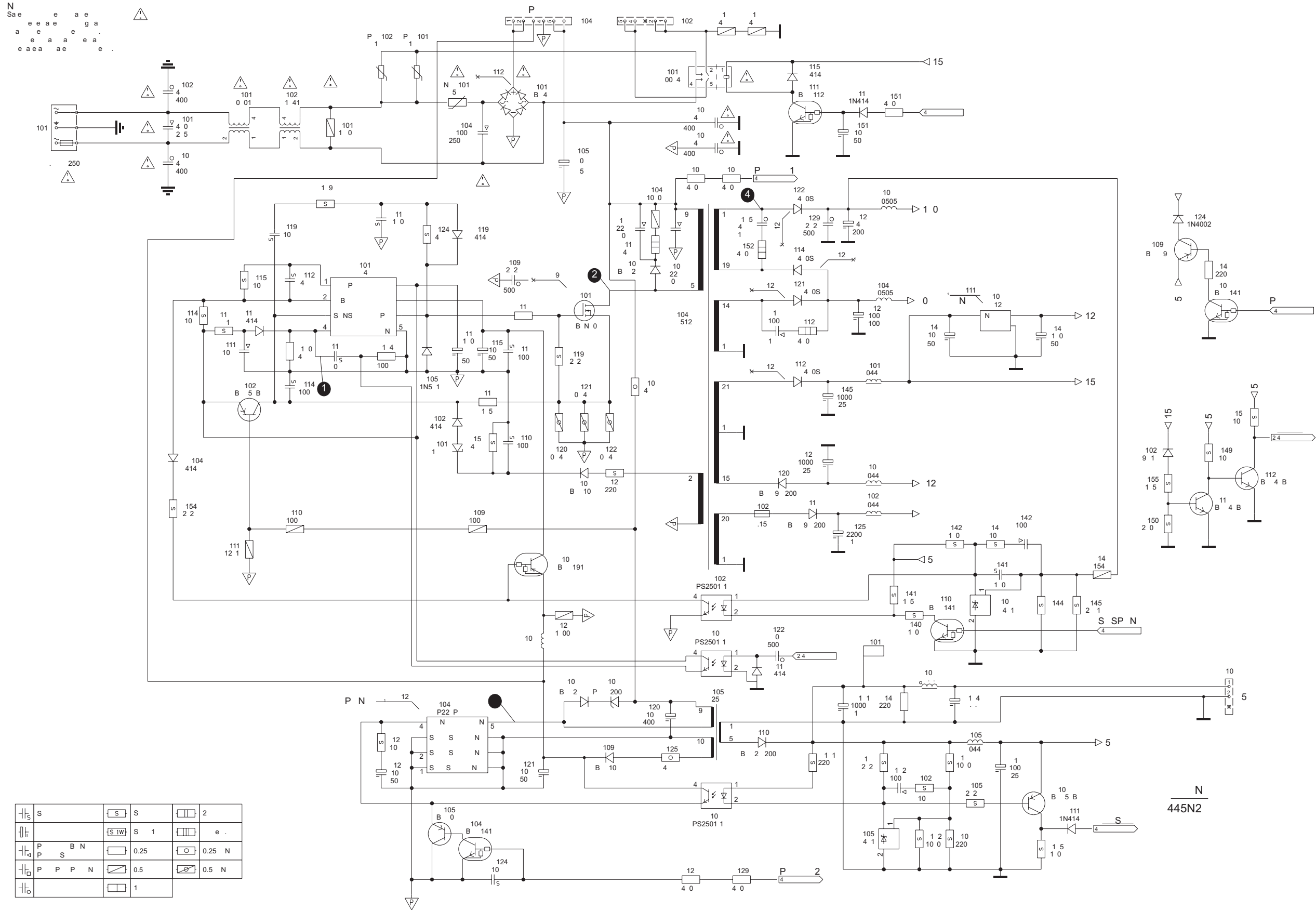
1

Main Board module SMA251H
CRT module SMY055E

Block diagram

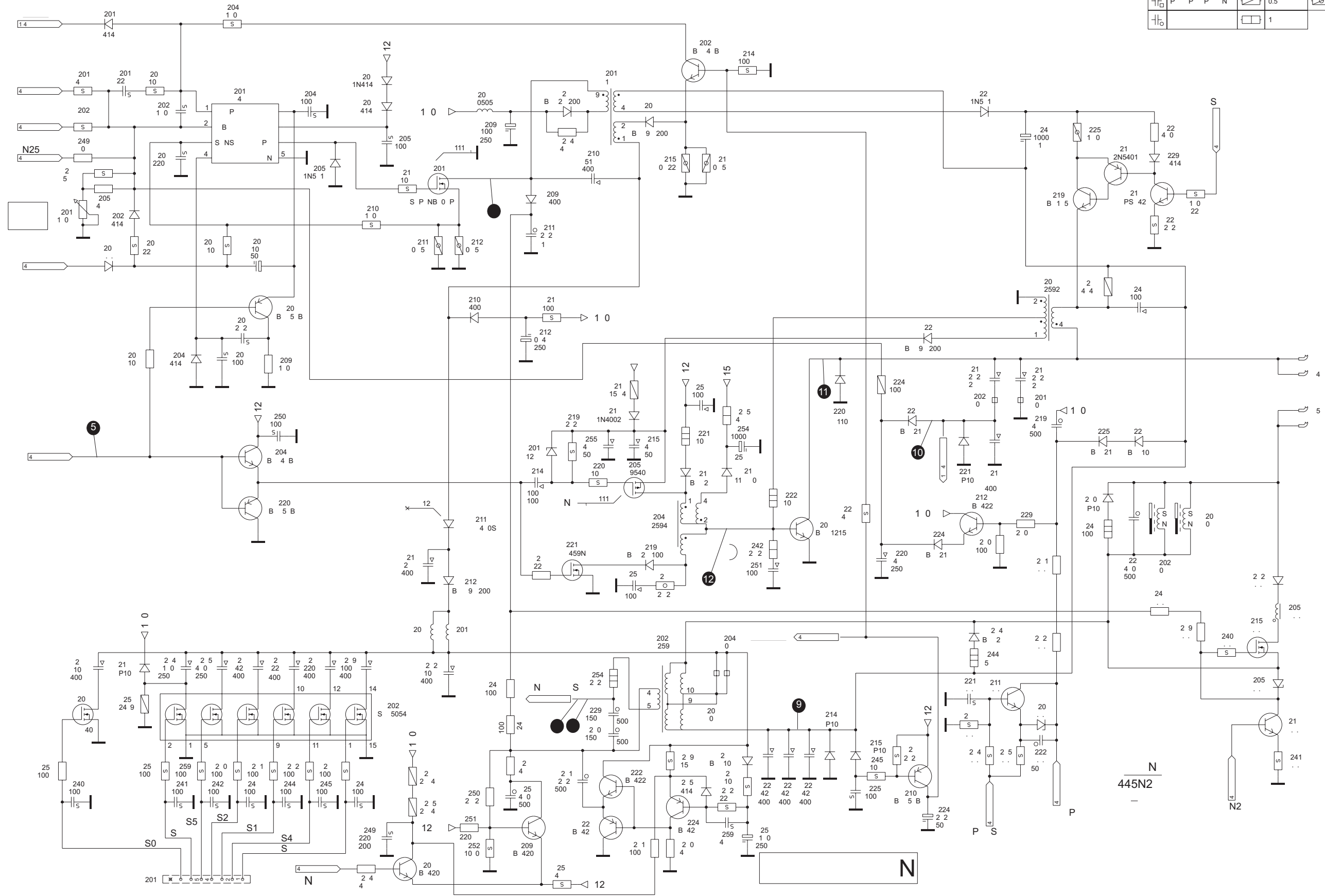


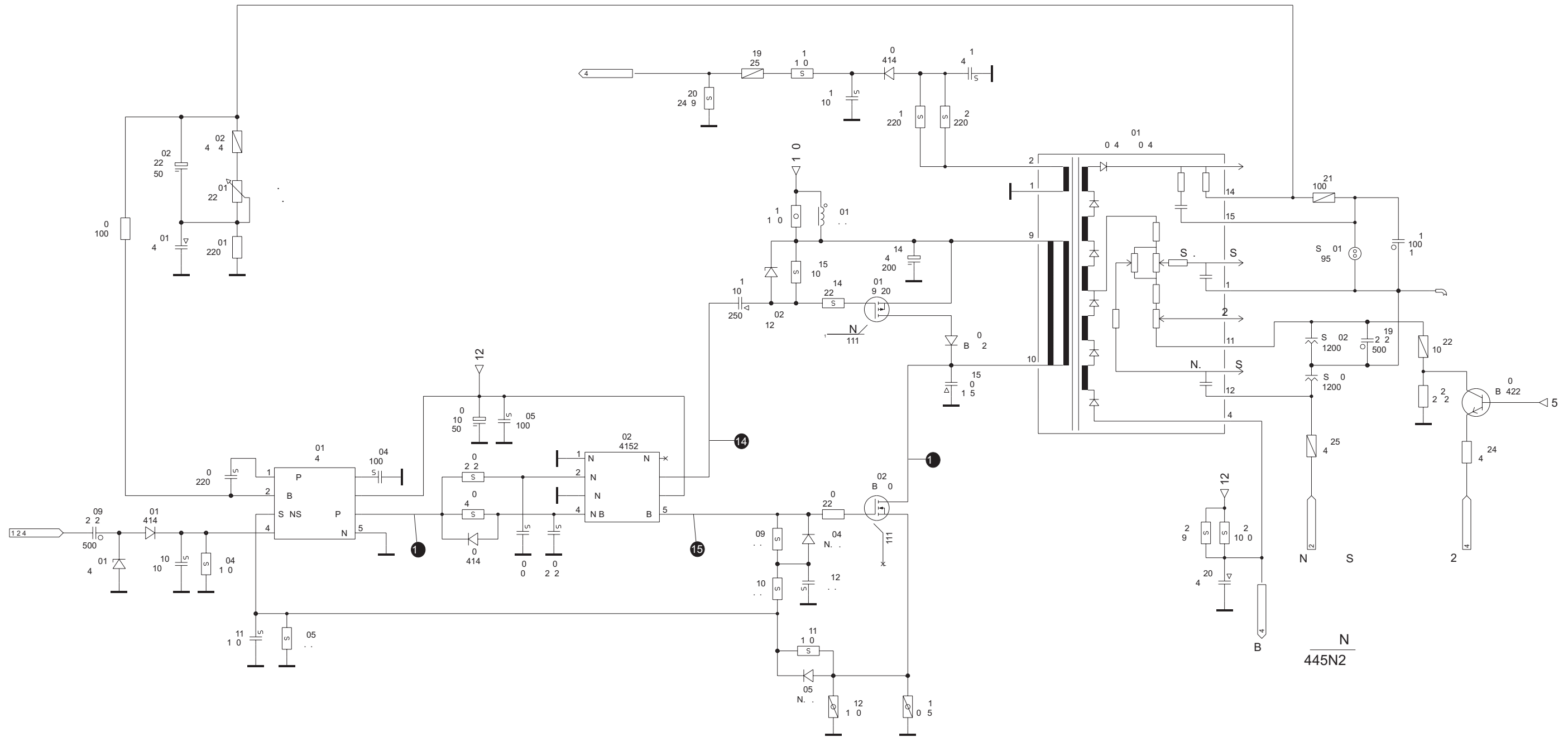
N
Sae e e a e
a e e a e g a
e e a a e a
e e a a e



	S		2
	S		1
	S		0.25
	S		0.5
	S		1

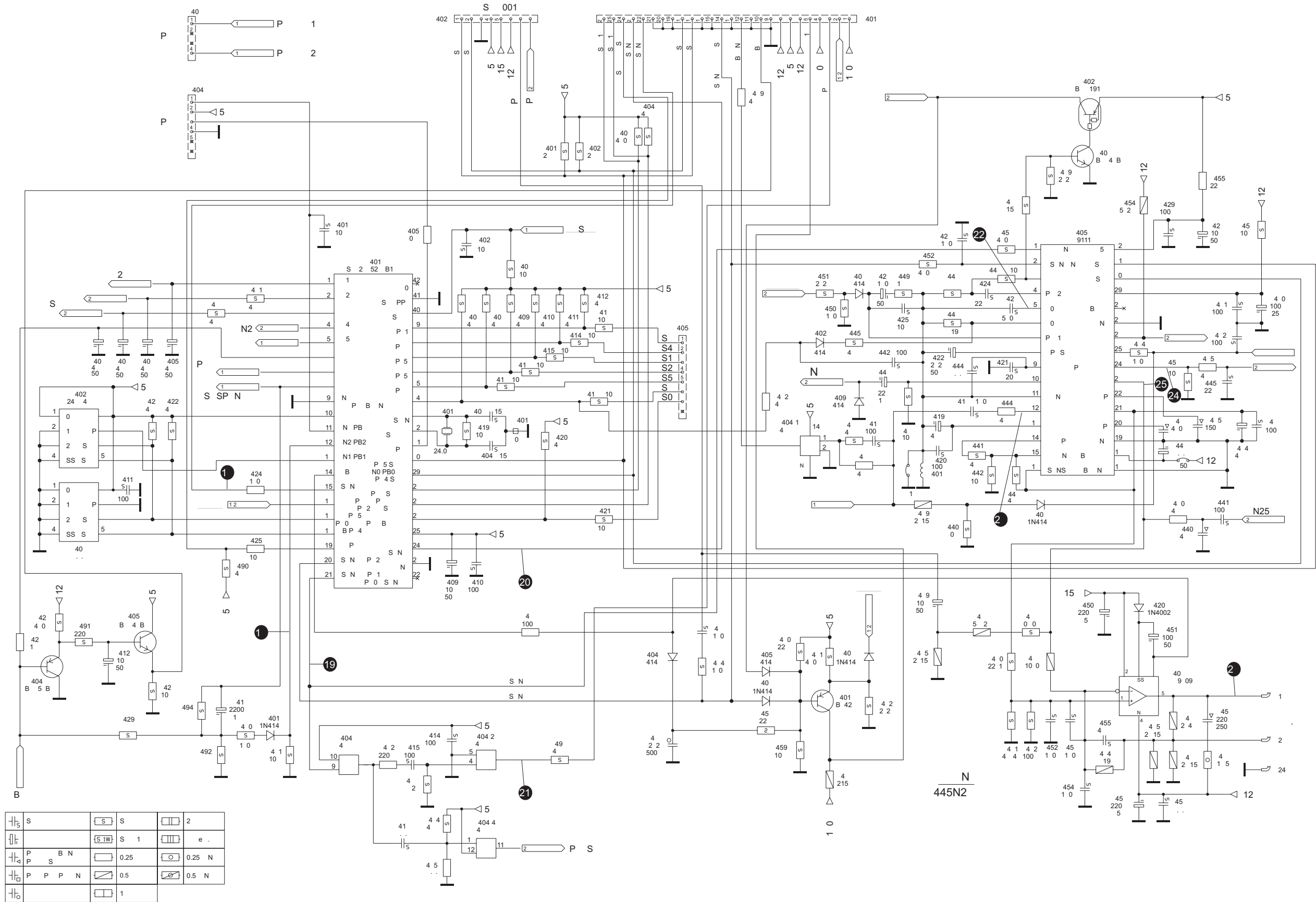
	S		S		2
	S		S		e
	P		B		0.25
	P		P		0.5
	P		P		1



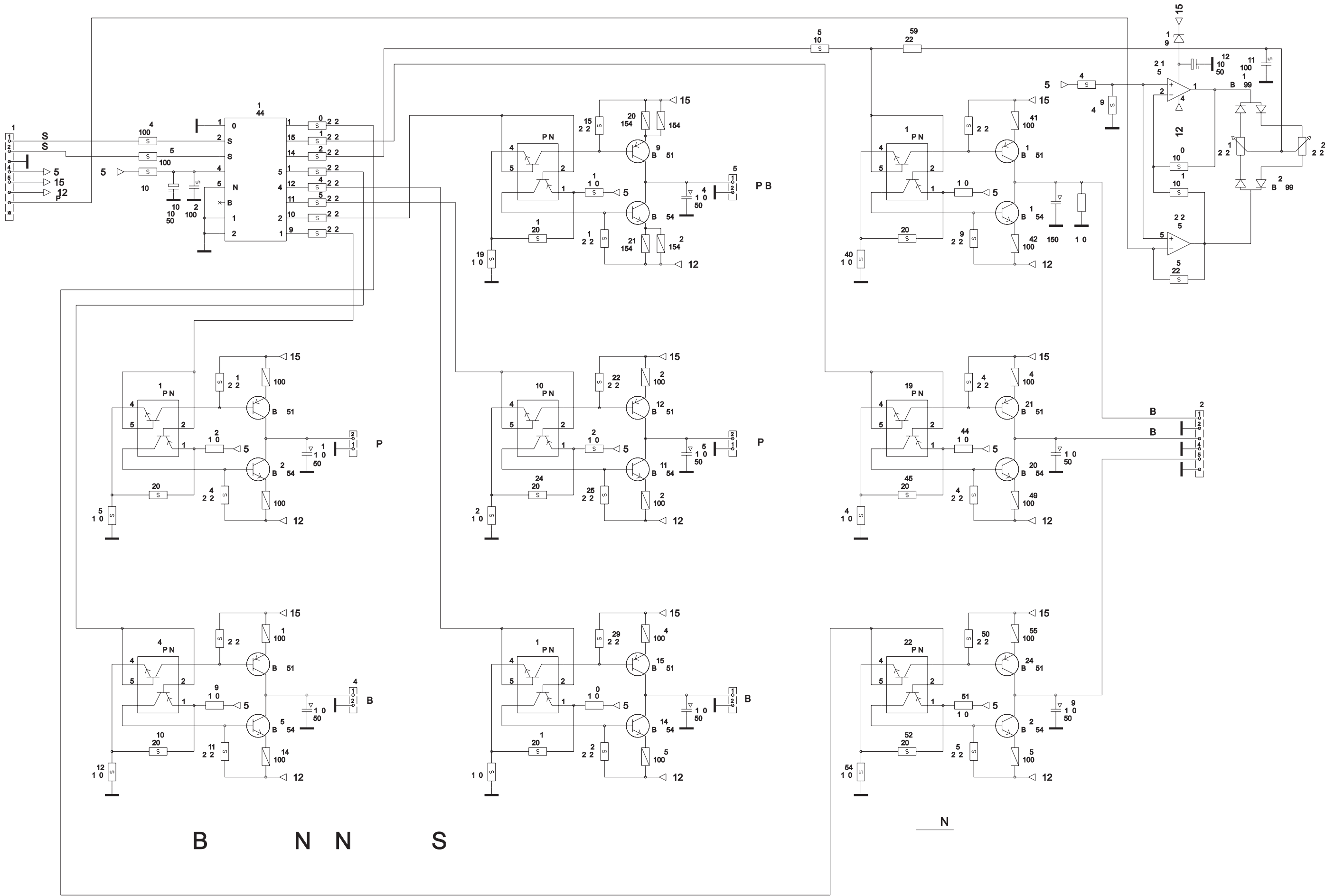


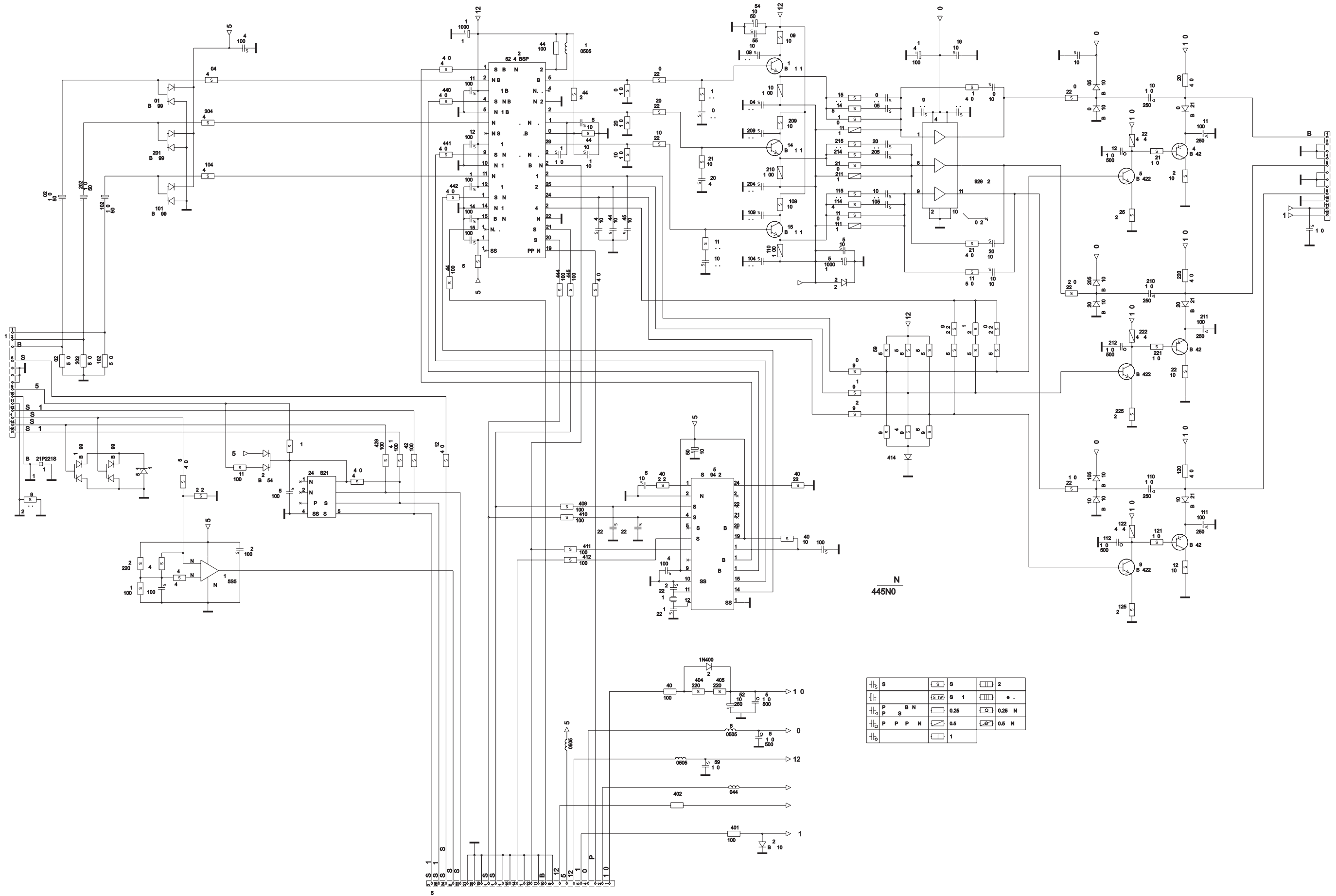
	S		S		2
			S 1		e .
	P S B N		0.25		0.25 N
	P P P N		0.5		0.5 N
			1		

N



	S		S		2
			S 1		e .
	P B N		0.25		0.25 N
	P P P N		0.5		0.5 N
			1		





N
445N0

	S		S		2
	P		S 1		*
	P S N		0.25		0.25 N
	P P N		0.5		0.5 N
			1		

