
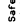
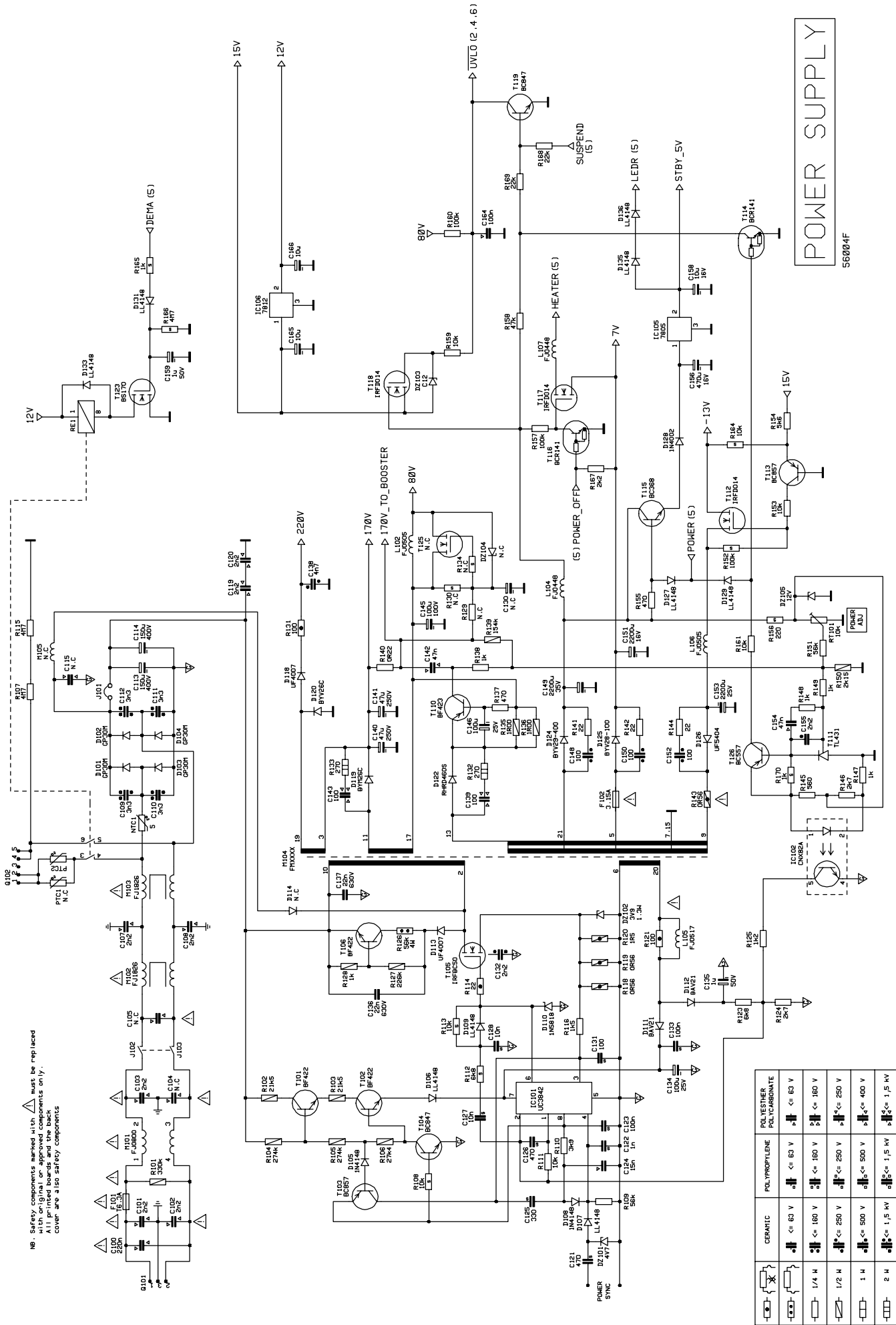


NB Safety components marked with  must be replaced with original or approved components only. Safety components marked with  cover are IEC safety components.



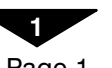
POWER SUPPLY

56004F

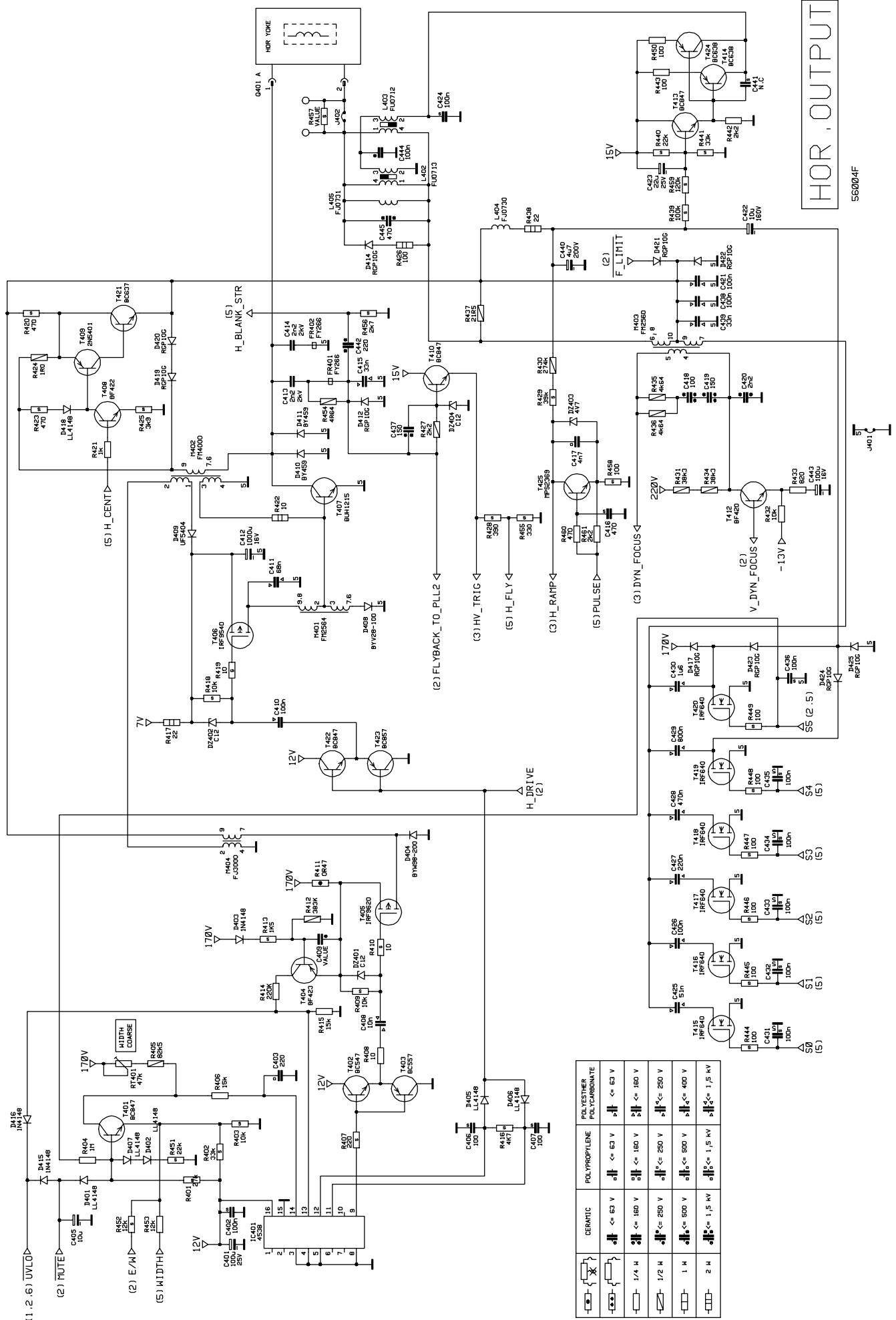
Symbol	CERAMIC	POLYPROPYLENE	POLYESTHER POLYCARBONATE
	< 63 V	< 63 V	< 63 V
	< 160 V	< 160 V	< 160 V
	< 250 V	< 250 V	< 250 V
	< 500 V	< 500 V	< 400 V
	< 1.5 kV	< 1.5 kV	< 1.5 kV

SMA172F

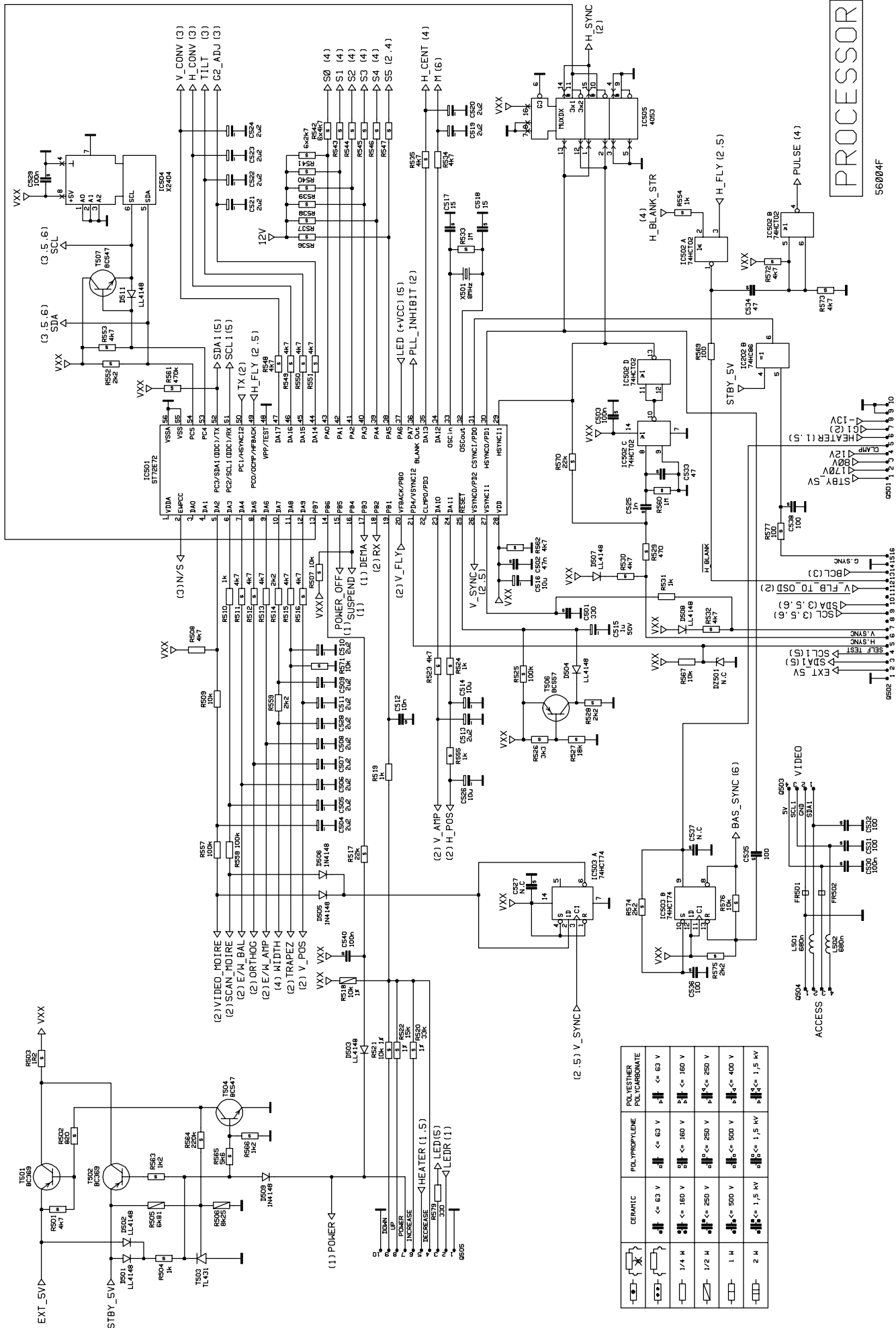
D3100F 06.96



Page 1



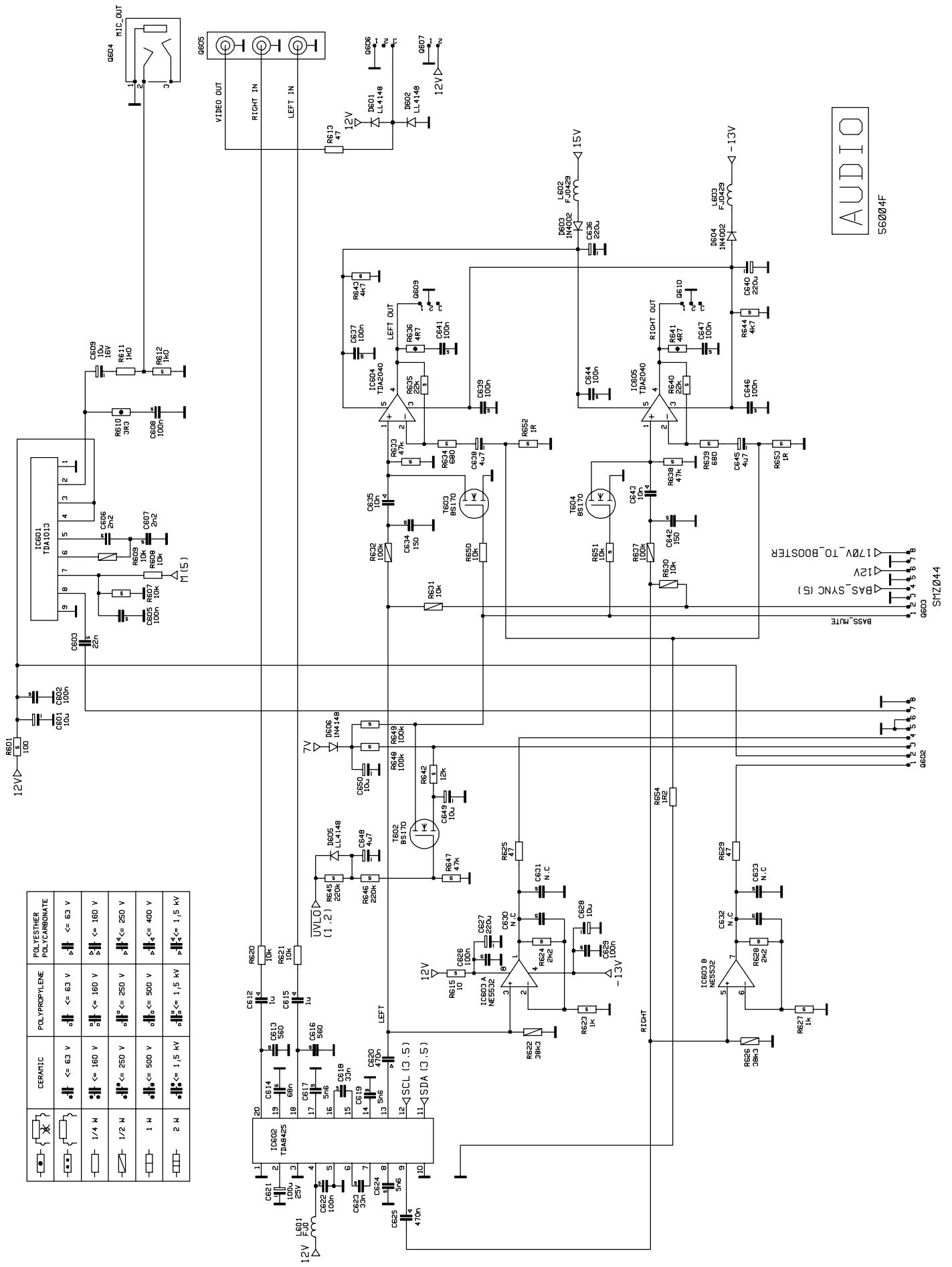
Symbol	Material	Value	Part Number
[Capacitor]	CERAMIC	<= 63 V	LL4148
[Capacitor]	POLYPROPYLENE	<= 160 V	LL4148
[Capacitor]	POLYESTHER POLYCARBONATE	<= 160 V	LL4148
[Capacitor]		<= 250 V	LL4148
[Capacitor]		<= 250 V	LL4148
[Capacitor]		<= 500 V	LL4148
[Capacitor]		<= 500 V	LL4148
[Capacitor]		<= 1.5 kV	LL4148
[Capacitor]		<= 1.5 kV	LL4148



Symbol	CERAMIC	POLYPROPYLENE	POLYESTHER	POLYCARBONATE
Capacitor	≤ 63 V	≤ 63 V	≤ 63 V	≤ 63 V
Resistor	≤ 180 V	≤ 160 V	≤ 160 V	≤ 160 V
Inductor	≤ 250 V	≤ 250 V	≤ 250 V	≤ 250 V
Diode	≤ 500 V	≤ 500 V	≤ 500 V	≤ 400 V
Transistor	≤ 1.5 kV	≤ 1.5 kV	≤ 1.5 kV	≤ 1.5 kV

PROCESSOR
S60004F

	CERAMIC	POLYPROPYLENE	POLYESTHER POLYCARBONATE
	$\leq 63 \text{ V}$	$\leq 63 \text{ V}$	$\leq 63 \text{ V}$
$\frac{1}{4} \text{ W}$	$\leq 160 \text{ V}$	$\leq 160 \text{ V}$	$\leq 160 \text{ V}$
$\frac{1}{2} \text{ W}$	$\leq 250 \text{ V}$	$\leq 250 \text{ V}$	$\leq 250 \text{ V}$
1 W	$\leq 500 \text{ V}$	$\leq 500 \text{ V}$	$\leq 400 \text{ V}$
2 W	$\leq 1.5 \text{ kV}$	$\leq 1.5 \text{ kV}$	$\leq 1.5 \text{ kV}$



AUDIO

56004F

Part Number	Description	PG	Item Number
-------------	-------------	----	-------------

AUDIO

AA0633	R CF 0W25 22R J	1	R	350	141	142	144	336	353	369	366	377	
AA0633	R CF 0W25 22R J	1	R	358	374	361							
AA0641	R CF 0W25 47R J	1	R	625	629								
AA0649	R CF 0W25 100R J	1	R	450	351	367	443	321	375	359	569		
AA0651	R CF 0W25 120R J	1	R	337									
AA0657	R CF 0W25 220R J	1	R	346	322	372							
AA0661	R CF 0W25 330R J	1	R	579									
AA0665	R CF 0W25 470R J	1	R	460	137	155							
AA0669	R CF 0W25 680R J	1	R	344									
AA0671	R CF 0W25 820R J	1	R	433									
AA0673	R CF 0W25 1K0 J	1	R	329	421	510	519	611	531	149	148	147	
AA0673	R CF 0W25 1K0 J	1	R	138	395	399	397	398	396				
AA0677	R CF 0W25 1K5 J	1	R	116									
AA0675	R CF 0W25 1K2 J	1	R	125									
AA0681	R CF 0W25 2K2 J	1	R	427	380	381	559	442	167	461	514		
AA0683	R CF 0W25 2K7 J	1	R	146	124								
AA0687	R CF 0W25 3K9 J	1	R	110									
AA0689	R CF 0W25 4K7 J	1	R	513	515	382	378	202	534	508			
AA0691	R CF 0W25 5K6 J	1	R	154									
AA0701	R CF 0W25 15K J	1	R	406	415								
AA0693	R CF 0W25 6K8 J	1	R	123									
AA0697	R CF 0W25 10K J	1	R	228	234	509	620	567	161	159	153	111	
AA0697	R CF 0W25 10K J	1	R	333	621	608	239	432	650	651			
AA0699	R CF 0W25 12K J	1	R	453	214								
AA0705	R CF 0W25 22K J	1	R	168	393	169							
AA0711	R CF 0W25 39K J	1	R	340									
AA0713	R CF 0W25 47K J	1	R	387	227	238	158						
AA0715	R CF 0W25 56K J	1	R	151	109								
AA0719	R CF 0W25 82K J	1	R	201									
AA0721	R CF 0W25 100K J	1	R	157	557	558	160	237					
AA0729	R CF 0W25 220K J	1	R	414									
AA0737	R CF 0W25 470K J	1	R	275									
AA0745	R CF 0W25 1M0 J	1	R	233	404								
AA0754	R CF 0W25 2M2 J	1	R	385	211								
AA0755	R CF 0W25 2M7 J	1	R	390									
AA0761	R CF 0W25 4M7 J	1	R	334	107	115							
AB0785	R NF 0W5 0R22 J CF	2	R	318									
AB0593	R NF 0W25 0R47 J CF	1	R	411									
AB0609	R NF 0W25 2R2 J CF	1	R	281									
AB0613	R NF 0W25 3R3 J CF	1	R	610									
AB0617	R NF 0W25 4R7 J CF	1	R	636	641								
AB0625	R NF 0W25 10R J CF	1	R	408	222								
AB0633	R NF 0W25 22R J CF	1	R	114									
AB0649	R NF 0W25 100R J CF	1	R	121	131								
AB0795	R NF 0W5 0R56 J CF	2	R	143	119	118							
AB0805	R NF 0W5 1R5 J CF	1	R	120									
AC3366	R SMD 5K90 0W1 1%	1	R	277									
AC3366	R SMD 5K90 0W1 1%	1	R	272	277								
AC3388	R SMD 10K0 0W1 1%	1	R	270	521	271							
AC3550	R SMD 0W1 33K 1%	1	R	520									
AC3405	R SMD 15K0 0W1 1%	1	R	522									
AC4403	R SMD 0W1 1R2 5%	1	R	503									
AC4425	R SMD 0W1 10R 5%	1	R	615	419	410							
AC4433	R SMD 0W1 22R 5%	1	R	316	309	310							
AC4449	R SMD 0W1 100R 5%	1	R	449	448	447	446	445	444	577	305	458	601
AC4453	R SMD 0W1 150R 5%	1	R	207									
AC4455	R SMD 0W1 180R 5%	1	R	371	347	355	363						
AC4457	R SMD 0W1 220R 5%	1	R	407	348	317	225	354	356	362	364	370	
AC4461	R SMD 0W1 330R 5%	1	R	455									
AC4463	R SMD 0W1 390R 5%	1	R	428									
AC4465	R SMD 0W1 470R 5%	1	R	349	365	368	357	360	373	376	352		
AC4465	R SMD 0W1 470R 5%	1	R	529	423	420							
AC4467	R SMD 0W1 560R 5%	1	R	320									
AC4469	R SMD 0W1 680R 5%	1	R	634	639								
AC4471	R SMD 0W1 820R 5%	1	R	502									
AC4473	R SMD 0W1 1K0 5%	1	R	170	326	210	623	165	627	504	554	555	524
AC4473	R SMD 0W1 1K0 5%	1	R	612									
AC4475	R SMD 0W1 1K2 5%	1	R	209	206	563	566						
AC4477	R SMD 0W1 1K5 5%	1	R	413									
AC4479	R SMD 0W1 1K8 5%	1	R	217									
AC4481	R SMD 0W1 2K2 5%	1	R	552	574	575	528	327	314	306			
AC4483	R SMD 0W1 2K7 5%	1	R	539	536	537	538	540	541	456			
AC4485	R SMD 0W1 3K3 5%	1	R	526									
AC4487	R SMD 0W1 3K9 5%	1	R	425									
AC4489	R SMD 0W1 4K7 5%	1	R	553	572	551	550	549	546	545	530	523	416
AC4489	R SMD 0W1 4K7 5%	1	R	249	313	304	303	205	213	532	535	543	542
AC4489	R SMD 0W1 4K7 5%	1	R	573	501	511	562	624	512	628	643	644	516
AC4489	R SMD 0W1 4K7 5%	1	R	544	547	548							
AC4491	R SMD 0W1 5K6 5%	1	R	244	245	252	253	565					
AC4493	R SMD 0W1 6K8 5%	1	R	246	112								
AC4497	R SMD 0W1 10K 5%	1	R	164	328	507	248	247	418	331	330	409	000
AC4497	R SMD 0W1 10K 5%	1	R	311	302	301	571	212	219	607	403	164	
AC4497	R SMD 0W1 10K 5%	1	R	224	271	113	108	576					
AC4499	R SMD 0W1 12K 5%	1	R	208	452								
AC4503	R SMD 0W1 18K 5%	1	R	527									
AC4505	R SMD 0W1 22K 5%	1	R	220	451	517	440	570	240	221	226	635	
AC4505	R SMD 0W1 22K 5%	1	R	640									
AC4507	R SMD 0W1 27K 5%	1	R	401	241	242	243	255	256	257	259		
AC4509	R SMD 0W1 33K 5%	1	R	402	441								

Part Number	Description	PG	Item Number
-------------	-------------	----	-------------

AC4511	R SMD 0W1 39K 5%	1	R	429									
AC4513	R SMD 0W1 47K 5%	1	R	647	258	386	648	215					
AC4515	R SMD 0W1 56K 5%	1	R	218									
AC4517	R SMD 0W1 68K 5%	1	R	392									
AC4519	R SMD 0W1 82K 5%	1	R	274	216	254	335						
AC4521	R SMD 0W1 100K 5%	1	R	152	439	235	633	638	649	525			
AC4523	R SMD 0W1 120K 5%	1	R	459	203								
AC4525	R SMD 0W1 150K 5%	1	R	324									
AC4529	R SMD 0W1 220K 5%	1	R	230	645	646	564						
AC4537	R SMD 0W1 470K 5%	1	R	319	394	561							
AC4539	R SMD 0W1 560K 5%	1	R	204									
AC4545	R SMD 0W1 1M0 5%	1	R	533	236	560							
AC4553	R SMD 0W1 2M2 5%	1	R	273	389	388							
AC4561	R SMD 0W1 4M7 5%	1	R	166	379								
AC8641	R SMD 0W12 47R J	1	R	613									
AC8799	R SMD 0W12 0R0 JUMPER	1	J	811	812	813	814	815	816	817	801	802	803
AC8799	R SMD 0W12 0R0 JUMPER	1	J	804	805	806	807	808	809	810	818	819	820
AC8799	R SMD 0W12 0R0 JUMPER	1	J	821	822	823	824						
AD0433	R COMP 0W5 330K K	1	R	101									
AD0373	R COMP 0W5 1K0 K	1	R	332									
AG3101	R MF 0W5 1R00 F	1	R	279	136	135	424						
AG3165	R MF 0W5 4R64 F	1	R	454									
AG3233	R MF 0W5 21R5 F	1	R	437									
AG3301	R MF 0W5 100R F	1	R	315									
AG3343	R MF 0W5 274R F	1	R	280									
AG3373	R MF 0W5 562R F	1	R	145									
AG3401	R MF 0W5 1K00 F	1	R	128	223								
AG3433	R MF 0W5 2K15 F	1	R	150	343								
AG3465	R MF 0W5 4K64 F	1	R	435	436								
AG3473	R MF 0W5 5K62 F	1	R	345									
AG3481	R MF 0W5 6K81 F	1	R	505									
AG3489	R MF 0W5 8K25 F	1	R	307	506								
AG3501	R MF 0W5 10K0 F	1	R	630	609	338	518	631					
AG3525	R MF 0W5 17K8 F	1	R	339									
AG3533	R MF 0W5 21K5 F	1	R	103	102								
AG3543	R MF 0W5 27K4 F	1	R	231	106	308	232						
AG3557	R MF 0W5 38K3 F	1	R	622	431	434	626						
AG3589	R MF 0W5 82K5 F	1	R	323	405								
AG3601	R MF 0W5 100K F	1	R	632	637								
AG3619	R MF 0W5 154K F	1	R	139									

Part Number	Description	PG	Item Number
CE2094	C IMP 820P K 1K5V	4	C 307
CE2196	C IMP 2N2 J 2KV	6	C 414 413
CE2671	C IMP 33N J 400V	4	C 439
CE2802	C IMP 51N J 400V	3	C 425
CE2931	C IMP 100N J 250V	4	C 426
CE2933	C IMP 100N K 400V	4	C 421 438
CE3020	C IMP 220N J 250V	3	C 427
CE3113	C IMP 470N J 250V	5	C 428
CE3180	C IMP 800N J 250V	10	C 429
CE3270	C IMP 1600N J 250V	12	C 430
CG2345	C PPR KP 220P J 63V	2	C 403
CG2663	C PPR KP 4N7 H 63V	4	C 417
CK0165	C PES MKT 22N K 630V	2	C 137 136
CE2671	C IMP 33N J 400V	4	C 415
CK0102	C PES MKT 10N K 250V	2	C 408
CK0221	C PES MKT 47N J 250V	2	C 142
CK0341	C PES MKT 220N K 100V	3	C 233
CK2864	C PES MKT 1U0 K 50V	5	C 612 615
CK2663	C PES MKT 150N J 63V	3	C 225
CK1388	C PES MKT 10N K 250V	2	C 305
CE2852	C IMP 68N J 400V	4	C 411
CK2424	C PES MKT 15N K 63V	2	C 124
CK2464	C PES MKT 22N K 63V	2	C 206
CK2545	C PES 47N K 63V	2	C 154 312
CK2626	C PES MKT 100N K 63V	2	C 336 164
CK2704	C PES MKT 220N K 63V	3	C 310 635 643
CK2784	C PES MKT 470N K 63V	3	C 620 228 625 319
CN0118	C ELYT 150U M 400V	16	C 114 113
CN0204	C ELYT 2U2 M 50V	1	C 650 504 505 506 507 508 509 510 511
CN0204	C ELYT 2U2 M 50V	1	C 513 519 520 521 522 523 524 235 201
CN0204	C ELYT 2U2 M 50V	1	C 528
CN0305	C ELYT 10U M 100V	8	C 218
CN0320	C ELYT 10U M 25V	2	C 601 628 609
CN0819	C ELYT 2200U M 25V	5	C 153 151 149
CN2017	C ELYT 1U0 M 50V	2	C 317 239 515 159 135
CN2027	C ELYT 47U M 50V	2	C 208 226
CN2030	C ELYT 10U M 35V	2	C 311
CN2032	C ELYT 10U M 50V	1	C 158 337 243 516 405 165 514 526 649 166
CN2037	C ELYT 10U M 160V	4	C 422
CN2228	C ELYT 4U7 M 200V	5	C 440
CN2372	C ELYT 22UF M 35V	3	C 423
CN2476	C ELYT 47U M 250V	9	C 141 140
CN2523	C ELYT 100U M 25V	3	C 621 401 320 146 134
CN2543	C ELYT 100U M 50V	2	C 215 230 443
CN2546	C ELYT 100UF M 100V	5	C 145
CN2553	C ELYT 0U47F M 50V	1	C 213 309
CN2581	C ELYT 220U M 35V	3	C 229 231
CN2566	C ELYT 4U7F M 50V	2	C 203 325 638 645 648
CN2576	C ELYT 220U M 16V	2	C 627 636 640
CN2656	C ELYT 470U M 35V	4	C 156
CN2712	C ELYT 1000U M 16V	5	C 412
FA0018	COIL SMD 680NH 10%	3	L 501 502
FJ0505	CHOKO 15UH 5%	2	L 601 106 102
FJ0429	CHOKO 33UH 10%	4	L 602 603
FJ0448	CHOKO 15UH	2	L 104 107
FJ0517	CHOKO 6.8UH 10%	3	L 105
FJ0725	BEAD INDUCTOR MIN IMP360HM	2	FR 402 401 501 502
FJ0730	LEAD INDUCTOR 270UH 10%	5	L 302 404
FJ0800	EMI/RFI CHOKO 60MH 3A(AC)	14	M 101
FJ1826	INPUT CHOKO E30/7 2X6.9 MH	12	M 103 102
FU0713	FIXED LIN.COIL W/DC-COIL S-N	7	L 402
FU0712	FIXED LIN.COIL W/DC-COIL N-S	16	L 403
FM3501	SMPS-TRAFO ETD49	20	M 104
FM0629	FLYBACK TRAFO 30..90KHZ 3NF	37	M 301
FM2564	DRIVER TRAFO E20/6	13	M 401
FM2560	DYNAMIC FOCUS TRAFO E20/6	12	M 403
FM4000	CENTERING TRAFO E25/7 1,0MH	14	M 402
FJ3000	INPUT CHOKO E25/7 727UH	13	M 404
JB0042A	DI BY459 1500V 10A	13	D 410 411
JB0047	DI GP30M 1000V 3A	4	D 104 103 102 101
JF0022	DI 1N4148	1	D 403 206 205 108 303 509
JF0022	DI 1N4148	1	D 105 415 416 606 506
JF0032	DI UF4007 1000V 1A	4	D 118 113
JF0060	DI 1N4002 100V 1A	1	D 207 128 603 604
JF0033	DI UF5404 400V 3A	4	D 409 126
JF0034	DI UF5406 600V 3A	9	D 306
JF0072	DI BAV21 200V 250MA	1	D 204 111 112
JF0073	DI RGP10G 400V 1A	4	D 417 414 412 419 420 425 424 423 421 422
JF0096	DI BYV28-100 100V 3.5A	7	D 408 125
JF0107	DI BYV26C 600V 1A	5	D 120
JF0166R	DI BYM26C 600V 2.3A	6	D 119
JF0168	DI BYW98-200 200V 3A	4	D 404
JF0171	DI BYV29-400 400V 8A	9	D 124
JF0206	DI 1N5818 30V 1A SCHOTTKY	4	D 110 202 203
JF4005	DI LL4148 75V 150MA	1	D 317 318 127 402 407 201 418 601 504 503
JF4005	DI LL4148 75V 150MA	1	D 502 501 129 602 136 406 405 505 401 511
JF4005	DI LL4148 75V 150MA	1	D 605 305 304 508 302 301 135 316 507 133
JF4005	DI LL4148 75V 150MA	1	D 131 109 418 107 106
JH0054	ZDI BZX83C12 12V 0.5W 5%	1	DZ 402 401 103 404
JH0086	ZDI BZX83C4V7 4.7V 0.5W 5%	2	DZ 403 101
JH0081	ZDI ZPY 3.9 3.9V 1.3W 5%	1	DZ 102
JH4118	ZDI BZX84C12 12V 0.35W 5%	2	DZ 301

Part Number	Description	PG	Item Number
JL0066	OPTOCOUPLER CNX82A 3750VRMS	7	IC 102
JM0099	TR BC547B N 45V 100A	1	T 307 305 301 402 323
JM0099	TR BC547B N 45V 100A	1	T 327 319 504
JM0100	TR BC557B P 45V 100A	1	T 308 306 302 506 403 322
JM0100	TR BC557B P 45V 100A	1	T 326 314 318
JM0205	TR BF423 P 250V 25MA	3	T 404 110 205
JM0239	TR BC638 P 60V 1A	4	T 414 424
JM0206	TR BF420 N 300V 100MA	12	T 412
JM0227	TR MPS2369 N 15V 200MA	3	T 425
JM0244	TR BF422 N 250V 25MA	2	T 311 102 101 408 106 206
JM0280	TR 2N5401 P 150V 0.6A	2	T 409
JM0281	TR BC368 N 20V 1A	4	T 115
JM0282	TR BC369 P 20V 1A	6	T 501 502
JM0255	TR BC637-6/-10 N 60V 1A	4	T 421
JM0334	TR BD135 NPN 45V 1A5 250MHZ	4	T 328 332 330 334
JM0335	TR BD136 PNP 45V 1A5 250MHZ	4	T 333 329 335 331
JM0341	TR BUH1215(435B) N 1500V 19A	19	T 407
JF4101	DI RHRD460S 600V 4A	8	D 122
JM4105	TR BC847B N 45V 0.1A	4	T 413 410 312 401 309 119 201 104 422 315
JM4105	TR BC847B N 45V 0.1A	4	T 316 320 324 507
JM4114	TR BC857B P 45V 100MA	2	T 321 113 126 202 310 103 423 313 317 325
JM4401	TR BCR141W 50V 0.1A	2	T 116 114
JS0019	FET IRF640 N 200V 18A	13	T 415 416
JS0019	FET IRF640 N 200V 18A	13	T 417 418 419 420
JS0063	FET IRFIBE30G N 800V 2,1A 3R0	23	T 304
JS0062	FET IRFPC50 N 600V 11A OR60	17	T 105
JS0033	FET IRFD014 N 60V 1.7A	7	T 118 117 112
JS0051	FET IRF9540 P 100V 19A 0.2R	14	T 406
JS0058	FET IRF9620 P 200V 1R5 3A	10	T 303 405
JS1006	FET BS170 N 60V 500MA	10	T 123 602 603 604
JS4001	FET BSP126 N 250V 350MA	7	T 207
JZ0005	ISOLATOR PAD 19*13*0.22MM	1	T 405 406 304 303 604 605
JZ0005	ISOLATOR PAD 19*13*0.22MM	1	IC 106 203 105 302
JZ0005	ISOLATOR PAD 19*13*0.22MM	1	D 124
JZ0005	ISOLATOR PAD 19*13*0.22MM	1	T 329 328 331 332 335 334 333 330
JZ0005	ISOLATOR PAD 19*13*0.22MM	1	D 411 410
JZ0005	ISOLATOR PAD 19*13*0.22MM	1	T 417 418 419 420
JZ0010	SILICONE INSUL. 20*25*0.22MM	8	T 407 105
LM0067	IC UA7805UC +5V REGULATOR	13	IC 105
LM0256	IC 7812 +12V REGULATOR	4	IC 106
LM0547	IC TDA1013B AUDIO POWER AMPL	11	IC 601
LM0340	IC TDA2040V AUDIO POWER AMPLIFIER	14	IC 302 604 605
LM0945	IC 24C65 SERIAL EEPROM 8X8K DIP-8	16	IC 504
LM0930	IC STV9379 VERT.DEFL.BOOSTER	15	IC 203
LM0663	IC TL431 VOLTAGE REFERENCE	6	T 503 111
LM0755	IC TDA8425 AUDIO PROCESSOR	21	IC 602
LM0763	IC UC3842 CURRENT MODE PWM CONT.	12	IC 101
LM0941	IC NE5532 LOW-NOISE DUAL OP-AMP	7	IC 603
LM4017	IC 74HCT02 QUAD 2-INPUT NOR	4	IC 502
LM0931	IC MAS1010 DYN.CONV.CONTROL IC	21	IC 303
LM0937	IC TDA9105 DEFLECTION PROCESSOR	20	IC 201
LM0938	IC ST72E72 MONITOR UC,DDC	34	IC 501
LM4022	IC 74HCT74 DUAL D-FLIP-FLOP	5	IC 503
LM4101	IC 4053B MUX/DEMUX ANAL.3X2-CHAN	7	IC 505
LM4111	IC 4538BT	5	IC 301 401
LM4208	IC 74HC86 2-INPUT EXCL. OR	4	IC 202
LM4406	IC LM324 QUAD OP-AMP	5	IC 304
LZ0063	IC-SOCKET 56-POLE	10	IC 501
QH0065	RELAY PCB-MOUNTING 12V 5A/250V	12	RE 001
QK1095	PIN STRIP 1X02	3	Q 301
QK1224	ROW CONN 1X04	2	Q 610
QK1285	ROW CONN 1X05	3	Q 102
QK1287	PIN STRIP 1X04	3	Q 401
QK1463	ROW CONN JST 1X02	2	Q 606
QK1464	ROW CONN JST 1X03	4	Q 604
QK1497	MINIATURE JACK 3.5MM FOR MIC.OUT	4	Q 603
QK1620	ACCESS.BUS CONN	14	Q 504
QK1531	PIN STRIP 1X08	4	Q 302
QK1695	RCAJACK UNIT 3X6.3MM	8	Q 605
QK1587	COOLING & SUPP.PART FOR RESISTOR	1	R 126
QK1650	MAINS CONN MALE 90DEG W/PCB SNAPS	8	Q 101
QK1703	PICOFLEX HEADER 1X08	3	Q 603
QK1703	PICOFLEX HEADER 1X08	3	Q 602
QM1006	PICOFLEX ASSY BI-IDC 16-POS 550MM	12	Q 502
QM1011	PICOFLEX ASSY BI-IDC 4-POS 300MM	7	Q 503
QM1002	PICOFLEX ASSY BI-IDC 10-POS 150MM	9	Q 505
QT0102	FUSEHOLDER CLIPS 5*20MM R=5,0MM	1	F 101
QT0733	FUSE R=5,0MM T 3,15A 250V IEC127	4	F 102
QT0775	FUSE 5*20MM T 6,3A 250V 1500A	3	F 101
QT0002	SPARK GAP 1,2KV +-500V R=5,0MM	3	GL 302 303
QT0207	GLIMM LAMP 95V 6*12,5MM	4	GL 301
SE2530	POWER SYNC. WIRE	8	V 001 002
SE2643	VERTICAL WIRE	6	V 001 002
QM1007	PICOFLEX ASSY BI-IDC 10-POS 500MM	10	Q 501
QA0095	CRYSTAL 8,00 MHZ HC-49/U	4	X 501
UC0859	FASTENING SPRING	2	T 417 418
UC0859	FASTENING SPRING	2	T 419 420 405 406 304 303
UC0859	FASTENING SPRING	2	D 124 125
UC0859	FASTENING SPRING	2	IC 302 106 105
UC1140	HEATSINK	2	IC 106 105 302
UC1140	HEATSINK	2	T 303 304 406 405
UC1140	HEATSINK	2	D 124

Part Number	Description	PG	Item Number
UC2653	HEATSINK		IC 604 605
UC6551	FASTENING SPRING	3	IC 203
UC6551	FASTENING SPRING	3	D 410 411
UC6552	FASTENING SPRING	3	T 407 105
UC6564	COOLINGPLATE	5	T 105
UC6564	COOLINGPLATE	5	IC 203
UC6664	HEATSINK	14	T 329 328 331 330 335 334 333 332 417 418
UC6664	HEATSINK	14	T 419 420
UC6668	FASTENING SPRING	2	T 329 328 331 330 335 334 333 332
UC6743	SUPPORT	6	
UC6752	WASHER	1	
UC6784	HEATSINK	4	
UC6817	HEATSINK	14	T 407
UC6817	HEATSINK	14	D 410 411
UC6818	SUPPORT	8	
UJ0125	TIES/LEAD BAND SST 1 M	1	M 301
WC0446	HEX PT-SCREW 2.9X8	1	
SE2527	GROUNDING WIRE	6	
SE2652	MAGN.FIELD COMPENSATION WIRE	11	
WC0353	PT-SCREW KB 40X10	3	M 301

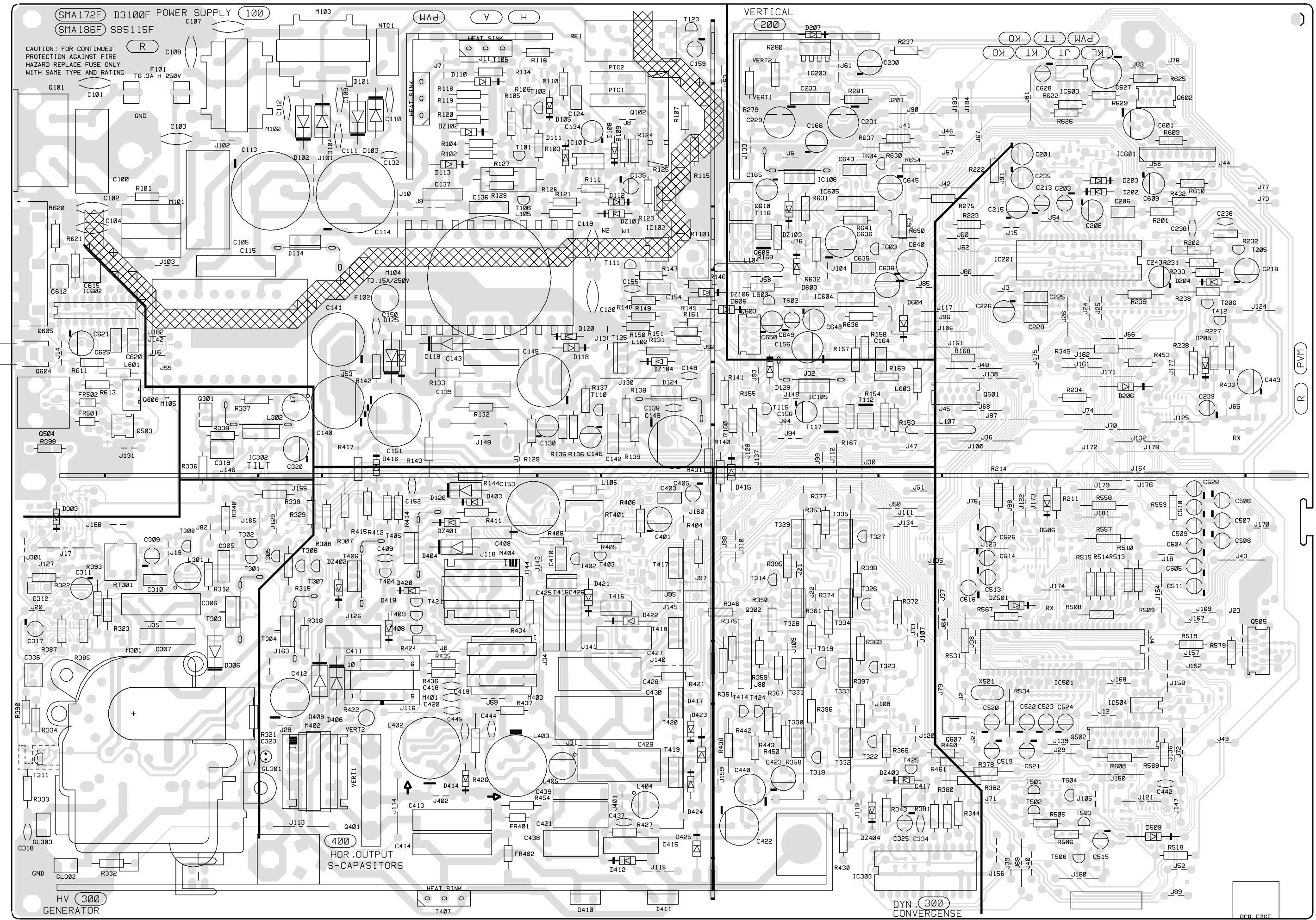
NON AUDIO

AA0633	R CF 0W25 22R J	1	R 350 141 142 144 336 353 369 366 377
AA0633	R CF 0W25 22R J	1	R 358 374 361
AA0649	R CF 0W25 100R J	1	R 450 351 367 443 321 375 359 569
AA0651	R CF 0W25 120R J	1	R 337
AA0657	R CF 0W25 220R J	1	R 346 322 372
AA0661	R CF 0W25 330R J	1	R 630 642
AA0665	R CF 0W25 470R J	1	R 137 155
AA0673	R CF 0W25 1K0 J	1	R 329 421 510 519 531 149 148 147
AA0673	R CF 0W25 1K0 J	1	R 138 395 399 397 398 396
AA0677	R CF 0W25 1K5 J	1	R 116 433 458
AA0675	R CF 0W25 1K2 J	1	R 125 432
AA0681	R CF 0W25 2K2 J	1	R 427 380 381 559 442 167 164 514
AA0683	R CF 0W25 2K7 J	1	R 146 124
AA0687	R CF 0W25 3K9 J	1	R 110
AA0689	R CF 0W25 4K7 J	1	R 513 515 382 378 202 534 508
AA0701	R CF 0W25 15K J	1	R 406 415
AA0693	R CF 0W25 6K8 J	1	R 123
AA0701	R CF 0W25 15K J	1	R 239
AA0697	R CF 0W25 10K J	1	R 224 228 234 509 239 567 161 159 153 111
AA0697	R CF 0W25 10K J	1	R 333
AA0699	R CF 0W25 12K J	1	R 453 214
AA0705	R CF 0W25 22K J	1	R 393 169
AA0711	R CF 0W25 39K J	1	R 340
AA0713	R CF 0W25 47K J	1	R 154 387 227 238 158
AA0715	R CF 0W25 56K J	1	R 151 109
AA0719	R CF 0W25 82K J	1	R 201
AA0721	R CF 0W25 100K J	1	R 157 557 558 160 237
AA0729	R CF 0W25 220K J	1	R 414
AA0737	R CF 0W25 470K J	1	R 275
AA0745	R CF 0W25 1M0 J	1	R 233 404
AA0754	R CF 0W25 2M2 J	1	R 385 211
AA0755	R CF 0W25 2M7 J	1	R 390
AA0761	R CF 0W25 4M7 J	1	R 334
AB0785	R NF 0W5 0R22 J CF	2	R 318
AB0593	R NF 0W25 0R47 J CF	1	R 411
AB0609	R NF 0W25 2R2 J CF	1	R 281
AB0625	R NF 0W25 10R J CF	1	R 408 222
AB0633	R NF 0W25 22R J CF	1	R 114
AB0649	R NF 0W25 100R J CF	1	R 121 131
AB0795	R NF 0W5 0R56 J CF	2	R 143 119 118
AB0805	R NF 0W5 1R5 J CF	1	R 120
AC3388	R SMD 10K0 0W1 1%	1	R 521
AC3550	R SMD 0W1 33K 1%	1	R 520
AC3405	R SMD 15K0 0W1 1%	1	R 522
AC4403	R SMD 0W1 1R2 5%	1	R 503
AC4425	R SMD 0W1 10R 5%	1	R 419 410
AC4433	R SMD 0W1 22R 5%	1	R 316 309 310
AC4449	R SMD 0W1 100R 5%	1	R 449 448 447 446 445 444 305
AC4453	R SMD 0W1 150R 5%	1	R 207
AC4455	R SMD 0W1 180R 5%	1	R 371 347 355 363
AC4457	R SMD 0W1 220R 5%	1	R 407 348 317 225 354 356 362 364 370
AC4461	R SMD 0W1 330R 5%	1	R 455
AC4463	R SMD 0W1 390R 5%	1	R 428
AC4465	R SMD 0W1 470R 5%	1	R 556 349 365 368 357 360 373 376 352
AC4465	R SMD 0W1 470R 5%	1	R 529 423
AC4467	R SMD 0W1 560R 5%	1	R 320
AC4473	R SMD 0W1 1K0 5%	1	R 170 326 210 165 504 554 555 524
AC4475	R SMD 0W1 1K2 5%	1	R 209 206 563 566
AC4477	R SMD 0W1 1K5 5%	1	R 413
AC4479	R SMD 0W1 1K8 5%	1	R 217
AC4481	R SMD 0W1 2K2 5%	1	R 528 327 314 306
AC4483	R SMD 0W1 2K7 5%	1	R 539 536 537 538 540 541 456
AC4485	R SMD 0W1 3K3 5%	1	R 526
AC4487	R SMD 0W1 3K9 5%	1	R 425
AC4489	R SMD 0W1 4K7 5%	1	R 553 552 551 550 549 546 545 530 523 416
AC4489	R SMD 0W1 4K7 5%	1	R 249 313 304 303 205 213 532 535 543 542
AC4489	R SMD 0W1 4K7 5%	1	R 501 511 562 512 516
AC4489	R SMD 0W1 4K7 5%	1	R 544 547 548
AC4491	R SMD 0W1 5K6 5%	1	R 244 245 252 253 565
AC4493	R SMD 0W1 6K8 5%	1	R 246 112
AC4497	R SMD 0W1 10K 5%	1	R 342 328 248 247 418 331 330 409 000 0

Part Number	Description	PG	Item Number
AC4497	R SMD 0W1 10K 5%	1	R 311 302 301 571 212 219 403
AC4497	R SMD 0W1 10K 5%	1	R 429 113 108
AC4499	R SMD 0W1 12K 5%	1	R 208 452
AC4503	R SMD 0W1 18K 5%	1	R 527
AC4505	R SMD 0W1 22K 5%	1	R 220 451 517 168 440 570 240 221 226
AC4507	R SMD 0W1 27K 5%	1	R 401 241 242 243 255 256 257 259
AC4509	R SMD 0W1 33K 5%	1	R 402 441
AC4513	R SMD 0W1 47K 5%	1	R 258 386 215
AC4515	R SMD 0W1 56K 5%	1	R 218
AC4517	R SMD 0W1 68K 5%	1	R 392
AC4519	R SMD 0W1 82K 5%	1	R 274 216 254 335
AC4521	R SMD 0W1 100K 5%	1	R 152 439 525
AC4523	R SMD 0W1 120K 5%	1	R 459 203
AC4525	R SMD 0W1 150K 5%	1	R 324
AC4529	R SMD 0W1 220K 5%	1	R 230 341 235 564
AC4537	R SMD 0W1 470K 5%	1	R 319 394
AC4539	R SMD 0W1 560K 5%	1	R 204
AC4545	R SMD 0W1 1M0 5%	1	R 533 236 560
AC4553	R SMD 0W1 2M2 5%	1	R 273 389 388
AC4561	R SMD 0W1 4M7 5%	1	R 166
AC8799	R SMD 0W12 0R0 JUMPER	1	J 811 812 813 814 815 816 801 802 803
AC8799	R SMD 0W12 0R0 JUMPER	1	J 804 805 806 807 808 809 810
AD0433	R COMP 0W5 330K K	1	R 101
AD0373	R COMP 0W5 1K0 K	1	R 332
AD1967	R SAFE 0W5 8M2 K	1	R 107
AG3101	R MF 0W5 1R00 F	1	R 279 136 135 424
AG3165	R MF 0W5 4R64 F	1	R 454
AG3233	R MF 0W5 21R5 F	1	R 437
AG3301	R MF 0W5 100R F	1	R 315
AG3343	R MF 0W5 274R F	1	R 280
AG3373	R MF 0W5 562R F	1	R 145
AG3401	R MF 0W5 1K00 F	1	R 128 223
AG3433	R MF 0W5 2K15 F	1	R 150
AG3465	R MF 0W5 4K64 F	1	R 435 436
AG3481	R MF 0W5 6K81 F	1	R 277 272 505
AG3489	R MF 0W5 8K25 F	1	R 307 506
AG3501	R MF 0W5 10K0 F	1	R 338 518
AG3509	R MF 0W5 12K1 F	3	R 270 271
AG3525	R MF 0W5 17K8 F	1	R 339
AG3533	R MF 0W5 21K5 F	1	R 103 102
AG3543	R MF 0W5 27K4 F	1	R 231 106 308 232
AG3557	R MF 0W5 38K3 F	1	R 431 434
AG3589	R MF 0W5 82K5 F	1	R 323 405
AG3619	R MF 0W5 154K F	1	R 139
AG3633	R MF 0W5 215K F	1	R 430 127
AG3643	R MF 0W5 274K F	1	R 105 104
AG3657	R MF 0W5 383K F	1	R 412
AJ2523	R MO 2W0 10R J	2	R 422
AJ2603	R MO 2W0 22R J	2	R 417 438
AJ2863	R MO 2W0 270R J	2	R 132 133
AJ2763	R MO 2W0 100R J	2	R 426
AJ3425	R MO 4W0 56K J	3	R 126
AQ2219	TPMET. 47K	3	RT 401 301
AQ2347	TPMET. H10 10K	4	RT 101
AW0079	PTC-THERMISTOR 18R/25°C	7	PTC 001
AW0111	NTC-THERMISTOR 5R0/25°C	7	NTC 001
CA0322	C CER 2N2 K 1KV	2	C 318 132
CA0324	C CER 100P K 1KV	2	C 418 150 323 152 148
CC0110	C CER 150P K 500V	1	C 437 419
CC0200	C CER 1N0 K 500V	1	C 236
CB3129	C CER SMD 15P 50V J	3	C 517 518
CB3133	C CER SMD 22P 50V J	1	C 339 416
CB3141	C CER SMD 47P 50V J	1	C 533
CB3145	C CER SMD 68P 50V J	1	C 302
CB3151	C CER SMD 100P 50V J	1	C 407 406 313 303 531 532 131 301
CB3163	C CER SMD 330P 50V J	1	C 314 125
CB3167	C CER SMD 470P 50V J	2	C 126 121
CB3171	C CER SMD 680P 50V J	1	C 212
CB3175	C CER SMD 1N0 50V J	3	C 237 525 217 242 308 122
CC0130	C CER 220P K 500V	1	C 238 442
CC0240	C CER 2N2 K 500V	1	C 420
CC0244	C CER 2N2 K 50V	1	C 155
CC0513	C CER 3N3 S 1KV	2	C 112 111 110 109
CC0530	C CER 4N7 S 500V	1	C 138
CC0772	C CER 10N Z 50V	1	C 334
CC0853	C CER 100N Z 25V	1	C 444
CC3240	C CER SMD 2N2 10% 50V	1	C 322
CC3280	C CER SMD 4N7 10% 50V	1	C 234 338
CC3320	C CER SMD 10N 10% 50V	1	C 404 204 512 340 304 205 202 214 219
CC3320	C CER SMD 10N 10% 50V	1	C 220 128 127 221 222 223 224
CC4400	C SMD 47N K 50V	2	C 210 211 502
CC4440	C SMD 100N K 50V	2	C 209 216 227 232 503 529 530
CC4440	C SMD 100N K 50V	2	C 436 435 434 433 432
CC4440	C SMD 100N K 50V	2	C 431 424 402 324 316 000 0
CC4440	C SMD 100N K 50V	2	C 133 123
CE0081	C X2 220N K 250VAC	8	C 100
CE0116	C Y 2N2 M 400VAC	4	C 120 119 108 107 102 101
CE0522	C PCA MKC 100N J 63V	4	C 410
CE2004	C IMP 100P K 1K6V	3	C 139 143
CE2094	C IMP 820P K 1K5V	4	C 307
CE2196	C IMP 2N2 J 2KV	6	C 414 413
CE2671	C IMP 33N J 400V	4	C 439
CE2802	C IMP 51N J 400V	3	C 425
CE2931	C IMP 100N J 250V	4	C 426

Part Number	Description	PG	Item Number
CE2933	C IMP 100N K 400V	4	C 421 438
CE3020	C IMP 220N J 250V	3	C 427
CE3113	C IMP 470N J 250V	5	C 428
CE3180	C IMP 800N J 250V	10	C 429
CE3270	C IMP 1600N J 250V	12	C 430
CG2345	C PPR KP 220P J 63V	2	C 403
CG2663	C PPR KP 4N7 H 63V	4	C 417
CK0165	C PES MKT 22N K 630V	2	C 137 136
CE2671	C IMP 33N J 400V	4	C 415
CK0102	C PES MKT 10N K 250V	2	C 408
CK0221	C PES MKT 47N J 250V	2	C 142
CK0341	C PES MKT 220N K 100V	3	C 233
CK2663	C PES MKT 150N J 63V	3	C 225
CK1388	C PES MKT 10N K 250V	2	C 305
CE2852	C IMP 68N J 400V	4	C 411
CK2424	C PES MKT 15N K 63V	2	C 124
CK2464	C PES MKT 22N K 63V	2	C 206
CK2545	C PES 47N K 63V	2	C 154 312
CK2626	C PES MKT 100N K 63V	2	C 336 164
CK2704	C PES MKT 220N K 63V	3	C 310
CK2784	C PES MKT 470N K 63V	3	C 228 319
CN0118	C ELYT 150U M 400V	16	C 114 113
CN0204	C ELYT 2U2 M 50V	1	C 443 504 505 506 507 508 509 510 511
CN0204	C ELYT 2U2 M 50V	1	C 513 519 520 521 522 523 524 235 201
CN0204	C ELYT 2U2 M 50V	1	C 528
CN0305	C ELYT 10U M 100V	8	C 218
CN0819	C ELYT 2200U M 25V	5	C 153 151 149
CN2017	C ELYT 1U0 M 50V	2	C 325 317 239 515 159 135
CN2027	C ELYT 47U M 50V	2	C 208 226
CN2030	C ELYT 10U M 35V	2	C 311
CN2032	C ELYT 10U M 50V	1	C 158 337 243 516 405 165 514 526 166
CN2037	C ELYT 10U M 160V	4	C 422
CN2232	C ELYT 4U7 M 200V	4	C 440
CN2372	C ELYT 22UF M 35V	3	C 423
CN2476	C ELYT 47U M 250V	9	C 141 140
CN2523	C ELYT 100U M 25V	3	C 401 320 146 134
CN2543	C ELYT 100U M 50V	2	C 215 230
CN2546	C ELYT 100UF M 100V	5	C 145
CN2553	C ELYT 0U47F M 50V	1	C 213 309
CN2581	C ELYT 220U M 35V	3	C 229 231
CN2566	C ELYT 4U7F M 50V	2	C 203
CN2656	C ELYT 470U M 35V	4	C 156
CN2712	C ELYT 1000U M 16V	5	C 412
FA0018	COIL SMD 680NH 10%	3	L 501 502
FJ0505	CHOKE 15UH 5%	2	L 106 102
FJ0448	CHOKE 15UH	2	L 104 107
FJ0517	CHOKE 6.8UH 10%	3	L 105
FJ0725	BEAD INDUCTOR MIN IMP360HM	2	FR 402 401 501 502
FJ0730	LEAD INDUCTOR 270UH 10%	5	L 302 404
FJ0800	EMI/RFI CHOKE 60MH 3A(AC)	14	M 101
FJ1826	INPUT CHOKE E30/7 2X6.9 MH	12	M 103 102
FU0713	FIXED LIN.COIL W/DC-COIL S-N	7	L 402
FU0712	FIXED LIN.COIL W/DC-COIL N-S	16	L 403
FM3501	SMPS-TRAFO ETD49	12	M 104
FM0629	FLYBACK TRAFO 30..90KHZ 3NF	37	M 301
FM2564	TRAFO	13	M 401
FM2560	DYNAMIC FOCUS TRAFO E20/6	12	M 403
FM4000	CENTERING TRAFO E25/7 1,0MH	14	M 402
FJ3000	INPUT CHOKE E25/7 727UH	13	M 404
JB0042A	DI BY459 1500V 10A	13	D 410 411
JB0047	DI GP30M 1000V 3A	4	D 104 103 102 101
JF0022	DI 1N4148	1	D 403 206 205 108 303 509
JF0022	DI 1N4148	1	D 105 415 416 505 506
JF0032	DI UF4007 1000V 1A	4	D 118 113
JF0060	DI 1N4002 100V 1A	1	D 207 128
JF0033	DI UF5404 400V 3A	4	D 409 126
JF0034	DI UF5406 600V 3A	9	D 306
JF0062	DI BA159 1000V 400MA	2	D 426
JF0072	DI BAV21 200V 250MA	1	D 204 111 112
JF0073	DI RGP10G 400V 1A	4	D 417 414 412 419 420 425 424 423 421 422
JF0096	DI BYV28-100 100V 3.5A	7	D 408 125
JF0107	DI BYV26C 600V 1A	5	D 120
JF0166R	DI BYM26C 600V 2.3A	6	D 119
JF0168	DI BYW98-200 200V 3A	4	D 404
JF0171	DI BYV29-400 400V 8A	9	D 124
JF0206	DI 1N5818 30V 1A SCHOTTKY	4	D 110 202 203
JF4005	DI LL4148 75V 150MA	1	D 317 318 127 402 407 201 418 504 503
JF4005	DI LL4148 75V 150MA	1	D 502 501 129 406 405 401
JF4005	DI LL4148 75V 150MA	1	D 305 304 508 302 301 135 316 507 133
JF4005	DI LL4148 75V 150MA	1	D 131 109 418 107 106
JH0054	ZDI BZX83C12 12V 0.5W 5%	1	DZ 402 401 103 404
JH0086	ZDI BZX83C4V7 4.7V 0.5W 5%	2	DZ 403 101
JH0081	ZDI ZPY 3.9 3.9V 1.3W 5%	1	DZ 102
JH4118	ZDI BZX84C12 12V 0.35W 5%	2	DZ 301
JL0066	OPTOCOUPLER CNX82A 3750VRMS	7	IC 102
JM0099	TR BC547B N 45V 100A	1	T 307 305 301 402 323
JM0099	TR BC547B N 45V 100A	1	T 327 319 504
JM0100	TR BC557B P 45V 100A	1	T 308 306 302 425 506 403 322
JM0100	TR BC557B P 45V 100A	1	T 326 314 318
JM0205	TR BF423 P 250V 25MA	3	T 404 110 205
JM0239	TR BC638 P 60V 1A	4	T 414 424

Part Number	Description	PG	Item Number
JM0244	TR BF422 N 250V 25MA	2	T 412 311 102 101 408 106 206
JM0280	TR 2N5401 P 150V 0.6A	2	T 409
JM0281	TR BC368 N 20V 1A	4	T 115
JM0282	TR BC369 P 20V 1A	6	T 501 502
JM0255	TR BC637-6-10 N 60V 1A	4	T 421
JM0334	TR BD135 NPN 45V 1A5 250MHZ	4	T 328 332 330 334
JM0335	TR BD136 PNP 45V 1A5 250MHZ	4	T 333 329 335 331
JM0341	TR BUH1215(435B) N 1500V 19A	19	T 407
JF4101	DI RHRD460S 600V 4A	8	D 122
JM4105	TR BC847B N 45V 0.1A	4	T 413 410 312 401 309 119 201 104 422 315
JM4105	TR BC847B N 45V 0.1A	4	T 316 320 324
JM4114	TR BC857B P 45V 100MA	2	T 321 113 126 202 310 103 423 313 317 325
JM4401	TR BCR141W 50V 0.1A (2X22K)	2	T 411 116 114
JS0019	FET IRF640 N 200V 18A	13	T 415 416
JS0019	FET IRF640 N 200V 18A	13	T 417 418 419 420
JS0063	FET IRFIBE30G N 800V 2,1A 3R0	23	T 304
JS0062	FET IRFPC50 N 600V 11A OR60	17	T 105
JS0033	FET IRFD014 N 60V 1.7A HD-1	7	T 118 117 112
JS0051	FET IRF9540 P 100V 19A 0.2R	14	T 406
JS0058	FET IRF9620 P 200V 1R5 3A	10	T 303 405
JS1006	FET BS170 N 60V 500MA	10	T 123
JS4001	FET BSP126 N 250V 350MA	7	T 207
JZ0005	ISOLATOR PAD 19x13x0.22MM	1	T 405 406 304 303
JZ0005	ISOLATOR PAD 19x13x0.22MM	1	IC 106 203 105 302
JZ0005	ISOLATOR PAD 19x13x0.22MM	1	D 124
AC4471	R SMD 0W1 820R 5%	1	T 502
JZ0005	ISOLATOR PAD 19x13x0.22MM	1	T 329 328 331 332 335 334 333 330
JZ0005	ISOLATOR PAD 19x13x0.22MM	1	D 410 411
JZ0005	ISOLATOR PAD 19x13x0.22MM	1	T 418 419 420 417
JZ0010	SILICONE INSUL. 20x25x0.22MM	8	T 105 407
LM0067	IC UA7805UC +5V REGULATOR	13	IC 105
LM0256	IC 7812 +12V REGULATOR	4	IC 106
LM0340	IC TDA2040V AUDIO POWER AMPLIFIER	14	IC 302
LM0945	IC 24C65 SERIAL EEPROM 8X8K	16	IC 504
LM0930	IC STV9379 VERT.DEFL.BOOSTER	15	IC 203
LM0663	IC TL431 VOLTAGE REFERENCE	6	T 503 111
LM0763	IC UC3842 CURRENT MODE PWM CONT.	12	IC 101
LM4017	IC 74HCT02 QUAD 2-INPUT NOR	4	IC 502
LM0931	IC MAS1010 DYN.CONV.CONTROL IC	21	IC 303
LM0937	IC TDA9105 DEFLECTION PROCESSOR	20	IC 201
LM0938	IC ST72E72 MONITOR UC.DDC	34	IC 501
LM0952	IC MONIITOR UC V1.13	24	IC 501 -> vk50
LM4022	IC 74HCT74 DUAL D-FLIP-FLOP	5	IC 503
LM4101	IC 4053B MUX/DEMUX ANAL.3X2-CHAN	7	IC 505
LM4111	IC 4538BT	5	IC 301 401
LM4208	IC 74HC86 2-INPUT EXCL. OR	4	IC 202
LM4406	IC LM324 QUAD OP-AMP	5	IC 304
LZ0063	IC-SOCKET 56-POLE	10	IC 501
QH0065	RELAY PCB-MOUNTING 12V 5A/250V	12	RE 001
QK1095	PIN STRIP 1X02	3	Q 301
QK1285	ROW CONN 1X05	3	Q 102
QK1287	PIN STRIP 1X04	3	Q 401
QK1620	ACCESS.BUS CONN	14	Q 504
QK1531	PIN STRIP 1X08	4	Q 302
QK1587	COOLING & SUPP.PART FOR RESISTOR	1	R 126
QK1650	MAINS CONN MALE	8	Q 101
QM1006	PICOFLEX ASSY BI-IDC 16-POS 550MM	12	Q 502
QM1011	PICOFLEX ASSY BI-IDC 4-POS 300MM	7	Q 503
QM1012	PICOFLEX ASSY BI-IDC 16-POS 150MM	10	Q 608
QT0102	FUSEHOLDER CLIPS 5x20MM R=5,0MM	1	F 101
QT0733	FUSE R=5,0MM T 3,15A 250V IEC127	4	F 102
QT0775	FUSE 5x20MM T 6,3A 250V 1500A	3	F 101
QT0002	SPARK GAP 1,2KV +-500V R=5,0MM	3	GL 302 303
QT0207	GLIMM LAMP 95V 6x12,5MM	4	GL 301
SE2530	POWER SYNC. WIRE	8	
SE2643	VERTICAL. WIRE	6	V 001 002
QM1007	PICOFLEX ASSY BI-IDC 10-POS 500MM	10	Q 501
QA0095	CRYSTAL 8,00 MHZ HC-49/U	4	X 501
UC0859	FASTENING SPRING	2	T 417 418
UC0859	FASTENING SPRING	2	T 419 420 405 406 304 303
UC0859	FASTENING SPRING	2	D 124 125
UC0859	FASTENING SPRING	2	IC 302 106 105
UC1140	HEATSINK	2	IC 106 105 302
UC1140	HEATSINK	2	T 303 304 406 405
UC1140	HEATSINK	2	D 124
UC6551	FASTENING SPRING	3	IC 203
UC6551	FASTENING SPRING	3	D 410 411
UC6552	FASTENING SPRING	3	T 407 105
UC6564	COOLINGPLATE	5	T 105
UC6564	COOLINGPLATE	5	IC 203
UC6664	HEATSINK	14	T 329 328 331 330 335 334 333 332 417 418
UC6664	HEATSINK	14	T 419 420
UC6668	FASTENING SPRING	2	T 329 328 331 330 335 334 333 332
UC6743	SUPPORT	6	
UC6752	WASHER	1	
UC6784	HEATSINK	4	
UC6817	HEATSINK	14	T 407
UC6817	HEATSINK	14	D 410 411
UC6818	SUPPORT	8	
UJ0125	LEAD BAND SST 1 M	1	M 301
UG0403	LEAD BAND	2	
WC0446	HEX PT-SCREW 2,9X8	1	
SE2527	GROUNDING WIRE	6	
SE2652	MAGN.FIELD COMPENS.WIRE	11	
WC0353	PT-SCREW KB 40X10	3	M 301



CAUTION: FOR CONTINUED PROTECTION AGAINST FIRE HAZARD REPLACE FUSE ONLY WITH SAME TYPE AND RATING

SMA172F D3100F POWER SUPPLY 100
SMA186F SBS115F

VERTICAL 200

HOR. OUTPUT S-CAPACITORS 400

DYN. 300 CONVERGENCE

