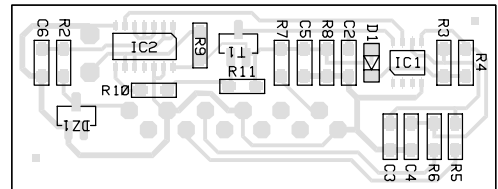
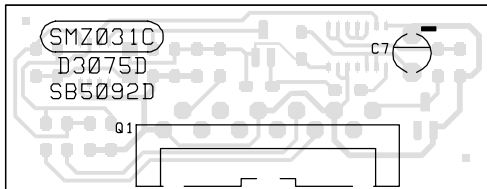
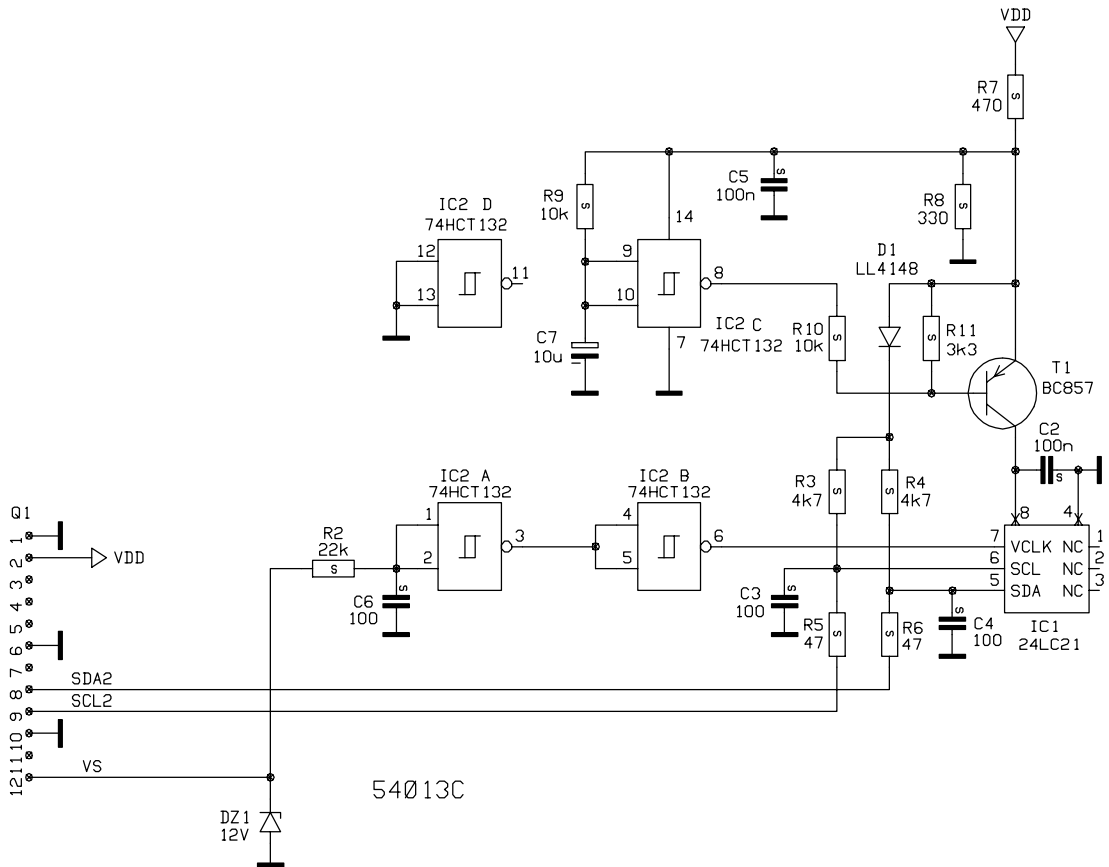


Part Number	Description	Item Number
AC8641	CHIPRES 0W12 47R J 1206 3216	R 005 006
AC8661	CHIPRES 0W12 330R J 1206 3216	R 008
AC8865	CHIPRES 0W25 470R J 1206 3216 !	R 007
AC8685	CHIPRES 0W12 3K3 J	R 011
AC8689	CHIPRES 0W12 4K7 J 1206 3216	R 003 004
AC8697	CHIPRES 0W12 10K J	R 009 010
AC8705	CHIPRES 0W12 22K J 1206 3216	R 002
CB4151	CHIPCAP NPO 100P J 50V 1206	C 003 004 006
CC4855	CHIPCAP Y5V 100N Z 50V 1206	C 002 005
CN2032	ELCAP 10U M 50V	C 007
JF4005	DI LL4148 75V 150MA 4N	D 001
JM4114	TR BC857B P 45V 100MA	T 001
LM4213	IC 74HCT132 4*2INPUT NAND SO-14	IC 002
LM4418	IC DUAL MODE E1K EEPROM FOR DDC	IC 001
QK1484	MODULE CONN 1X12 2,5 90-DEG	Q 001



**SMZ031C**



D3075C

06.96

Page 2

445P