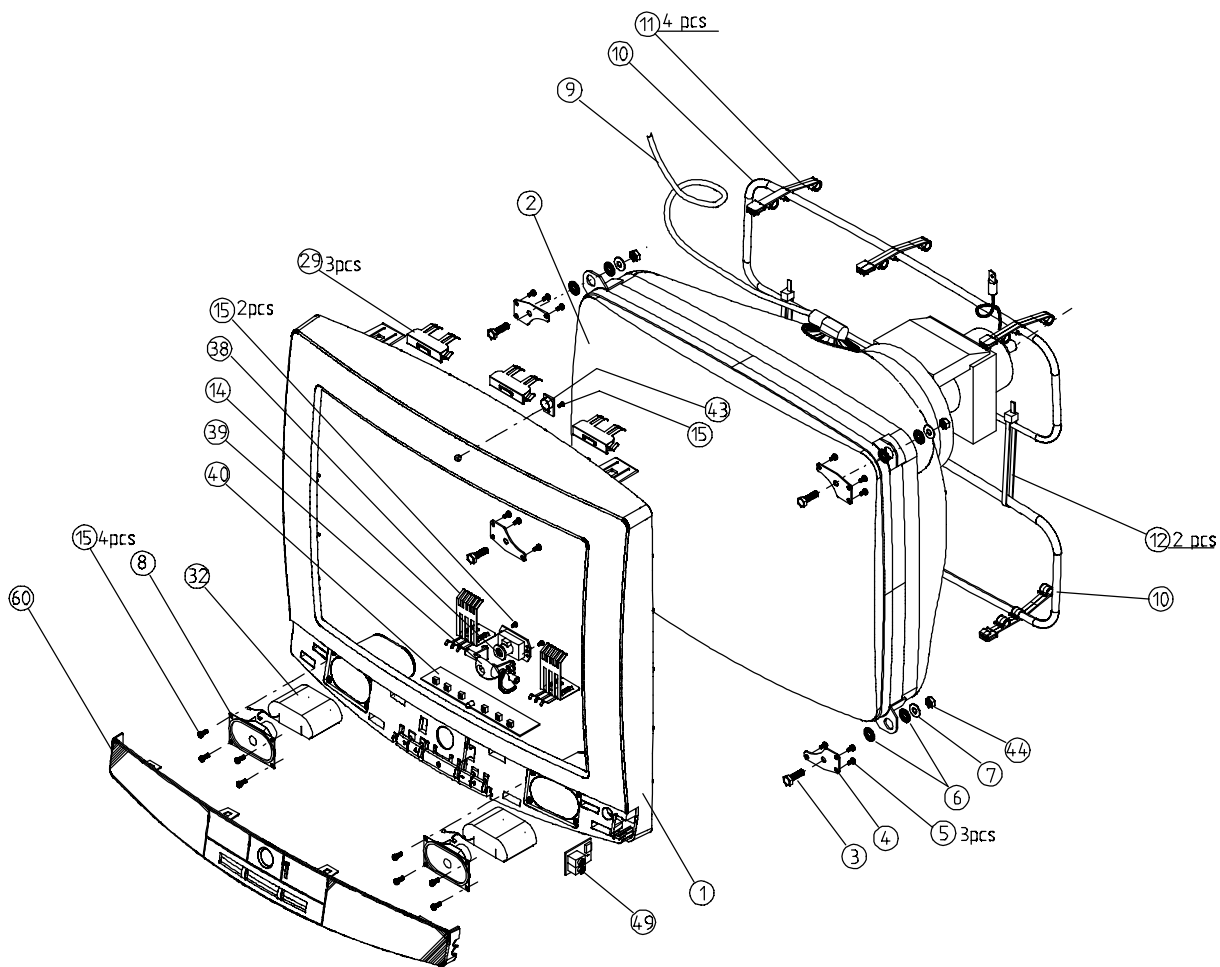


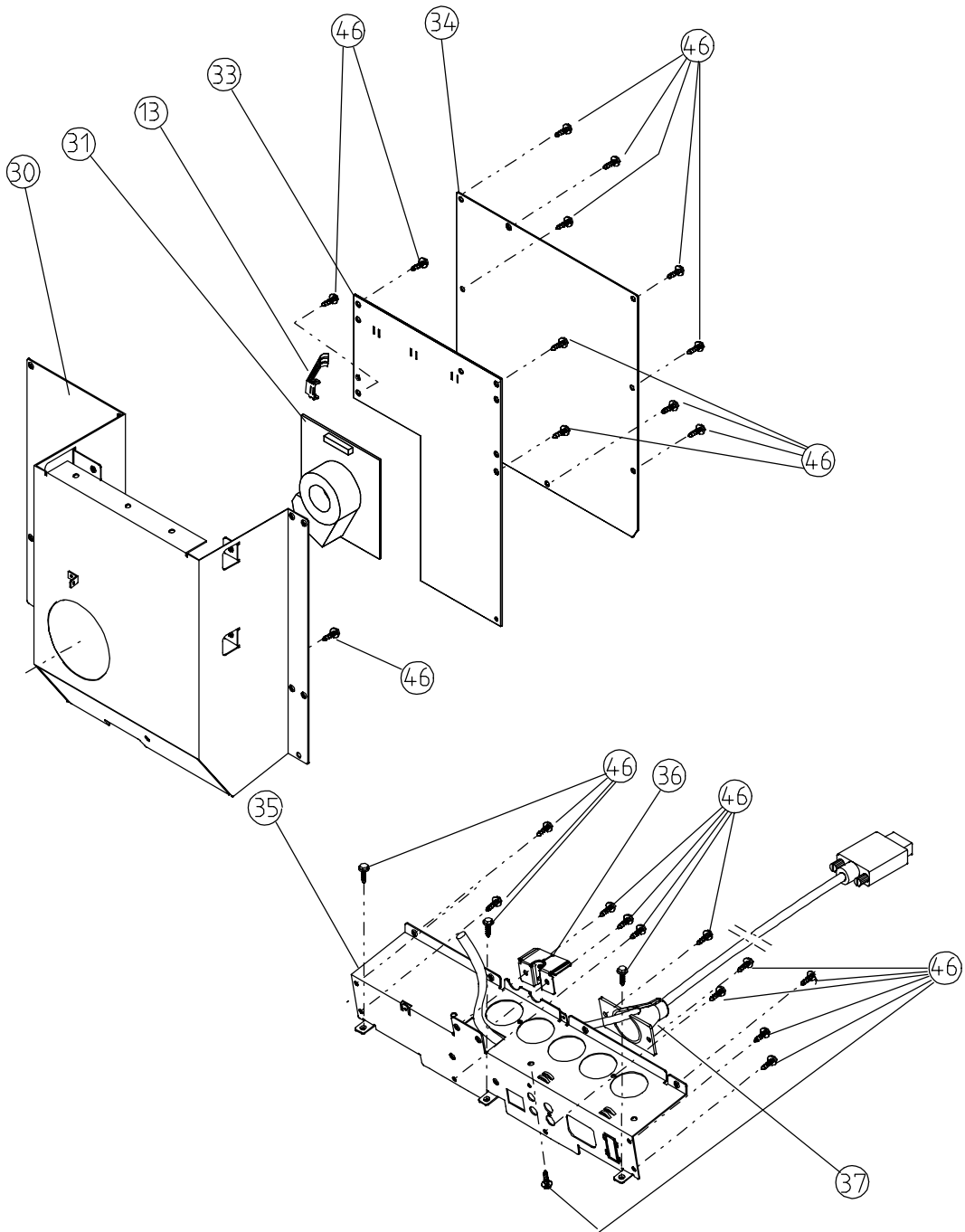
Spare Parts

P/N	Description	Emission	Prod P/N
445Xavc	21 NOKIA FST 102 KHZ CCD-S EUR	TCO	445P051
445Xavc	21 NOKIA FST 102 KHZ CCD-S USA	TCO	445P059
445Xav	21 NOKIA FST 102 KHZ SOUND EUR	TCO	445P151
445Xav	21 NOKIA FST 102 KHZ SOUND USA	TCO	445P159
445Xi	21 NOKIA FST 102 KHZ EUR	TCO	445P251
445Xi	21 NOKIA FST 102 KHZ EUR	MPR	445P252
445Xi	21 NOKIA FST 102 KHZ USA	MPR	445P258
445Xi	21 NOKIA FST 102 KHZ USA	TCO	445P259

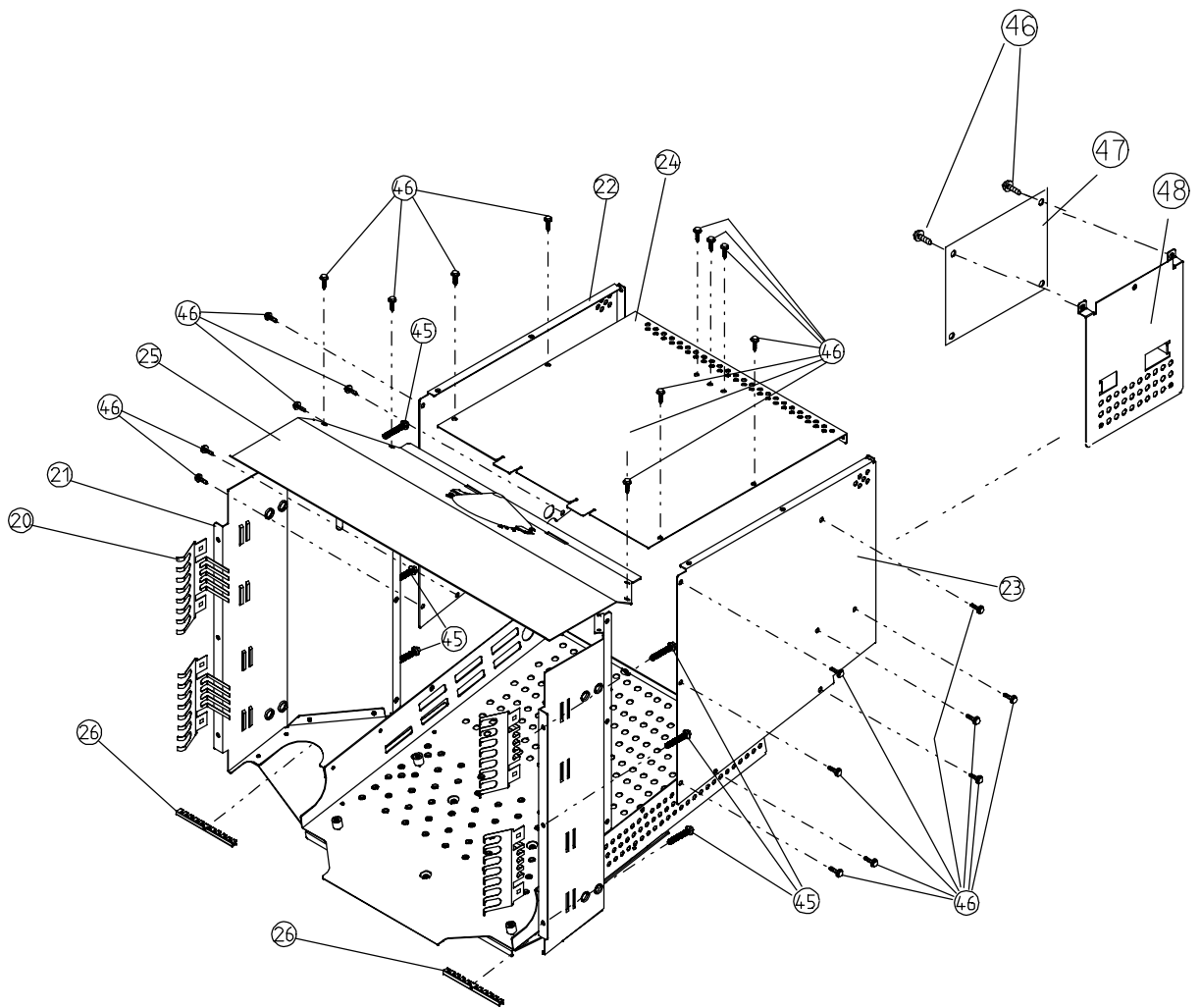
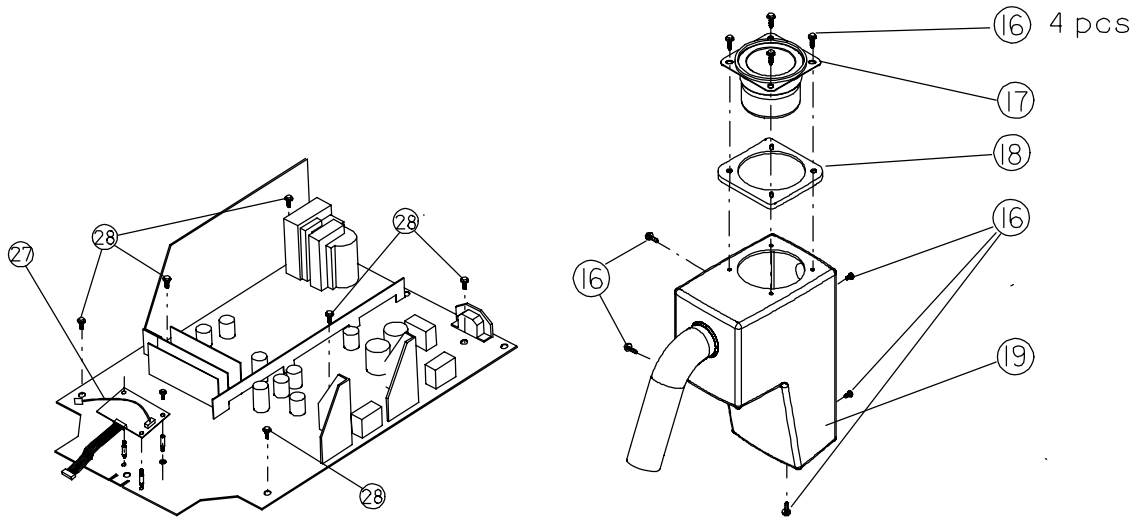


Item no	Description	Code	PG	Model
01	Bezel	UM7400	26	251 252 258 259
01	Bezel	UM7560	27	051 059 151 159
02	Picture Tube M51LEQ180X88(U)	NM1004	70	252 258
02	Picture Tube M51LEQ60X88	NM1006A	71	051 059 151 159 251 259
03	Hex screw M6X20	WC0449	01	
04	Clamp	UC6857	06	
05	Pt-screw KB40X8	WC0368	01	
06	Friction plate	UL0128	02	
07	Washer M6X18X1,6	WL0175	01	
08	Loudspeaker 2W 16Ohm 41X71	QP0226	19	051 059 151 159
10	Demagn.coil 21	FD0216	25	
11	Demagn.coil holder	UG0786	02	
12	Lead band SST 1 M	UJ0125	01	
12	Lead band PLT 2 S panduit	UJ0211	02	
14	CCD camera unit CCB-GL5P-N	NC0100	61	051
14	CCD camera unit CCB-GL5-N	NC0101	60	059
15	Pt-screw KB30X6	WC0350	01	051 059 151 159
29	Grounding spring upper	UC6851	04	
32	Damper	UA1308	05	051 059 151 159
38	Grounding spring	UC6856	08	

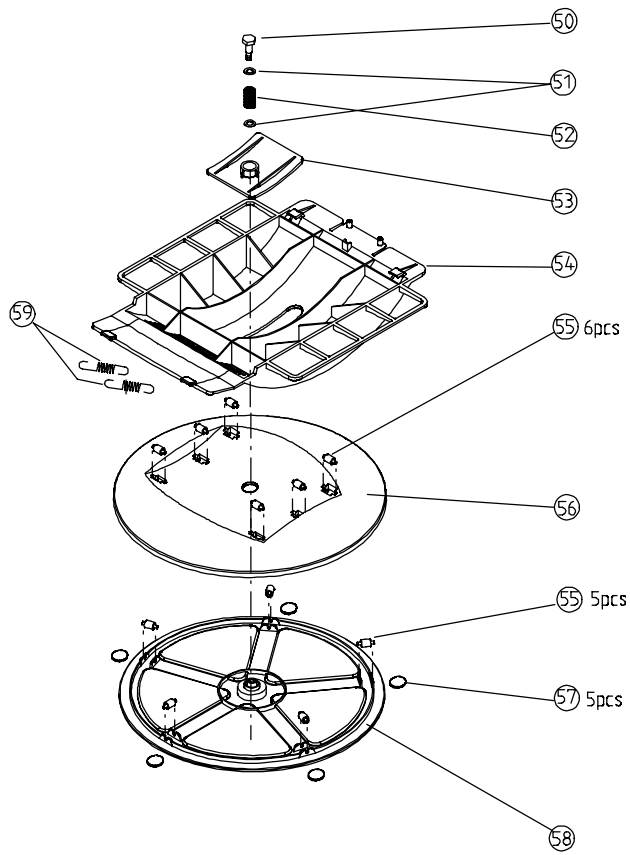
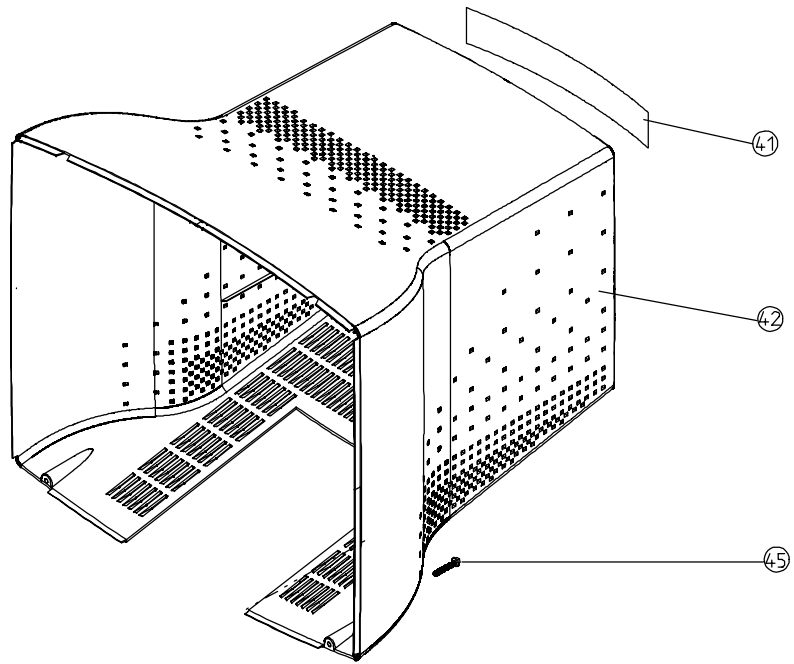
Item no	Description	Code	PG	Model
39	Adjuster	UA5768	06	051 059
40	Control module	SMZ041	18	
43	Microphone	QP0001	07	051 059 151 159
44	Nut M6 nylok	WJ0171	01	
49	Connector module	SMZ042	18	051 059 151 159
60	Control panel	UA7330A	16	251 259
60	Control panel	UA7330B	16	252 258
60	Control panel	UA7350A	16	151 159
60	Control panel	UA7370A	16	051 059
	Grounding plate	UC6903	03	1197 ->
	Grounding spring	UC6898	03	1197 ->
	Screw	WC0036	01	1197 ->



Item no	Description	Code	PG	Model
13	Grounding spring	UC6850	04	
30	Video box	UC6820	22	
31	Crt-module	SMH132	28	
33	Video amplifier	SMY031	50	
34	Back plate	UC6822	12	
35	Connector panel	UC6821	16	
36	Strain relief	UC6801	09	
37	Signal cable support	UG0796	03	
46	Hex plate screw	WC0036	01	



Item no	Description	Code	PG	Model
16	Pt-screw KB 40X10	WC0353	03	051 059 151 159
17	Woofers	QP0230	21	051 059 151 159
18	Gasket 80X80	UL0130	06	059 159
19	Woofers box	UG0719	23	051 059 151 159
20	Grounding spring, side	UC6709	05	
21	Frame assy	UC6827	33	
22	Side plate, left	UC6825	17	
23	Side plate, right	UC6824	17	
24	Cover	UC6826	17	
25	Support (upper)	UC6832	15	
26	Insulator	UG0812	04	
27	Main board	SMA172	60	251 252 258 259
27	Main board audio	SMA172AUD	60	051 059 151 159
28	M4X8 8.8	WA0749	01	
45	Pt-screw KB 40X20	WC0354	01	
46	Hex plate screw	WC0036	01	
47	Sub woofers module	SMZ044	34	051 059 151 159
48	Fixing plate	UC6852	06	051 059 151 159
	Firmware V1.15	LM0938	34	051 059 151 159 251 252 258 259
	Firmware V1.13	LM0952	24	251 252 258 259



Item no	Description	Code	PG	Model
41	Type label 445P	ZZ2755	12	
42	Rear cover	UD0431	32	
45	Pt-screw KB 40X20	WC0354	01	
50	Screw	WA0736	06	
51	Washer	WL0163	02	
52	Spring 1,5 mm	UC6800	01	
53	Sliding piece	UG0792	08	
54	Swivel	US0054	20	
55	Sliding bearing	UC6802	04	
56	Bottom cover	US0008	17	
57	Foot button	UL0091	02	
58	Bottom plate	US0007	17	
59	Picture tube grounding spring	UC3016	04	
	Badge-Nokia 51mm	UA1243	08	
	Washer	UC6781	04	
	Cover	UC6866	14	051
	Inteference shield	UC6867	12	051
	Stand assy	UDX047	30	
	Insulator	UG0694	05	051
	Lead band 11x20mm	UG0770	03	151 159
	Insulator	UG0795	08	
	Hex pt-screw	WC0036	01	051 059 151 159
	Pt-screw KB 40X10	WC0353	03	004
	Pt-screw KB 40X20	WC0354	01	151 159
	Pt-screw K70X30	WC0447	03	
	Washer 4,3	WL0217	01	
	Connector label base model	ZZ2734	13	251 252 258 259
	Connector label Audio	ZZ2756	15	151 159
	Connector label Audio/Camera	ZZ2757	12	051 059
	Connector label 2	ZZ2793	08	051 059 151 159 251 252 258 259 0197 ->

Item no	Description	Code	PG	Model
Cables:				
	Mains Cable 3x1,0mm ² L=2,5m grey	QM0028	18	051 151 251 252
	Mains Cable 3x18AWG L=1,8m	QM0049	18	059 159 258 259
	CY-cable 21" 8-wire	QM0154	12	
	Signal cable VGA-42	QM0291	30	
	Grounding wire	SE2651	06	
	Grounding wire	SE2653	06	
	Grounding wire pictur tube.-frame	SE2654	06	
	Groundin braid	SE2664	08	
	Loudspeaker wire	SE2665	08	051 059 151 159
Packing materials:				
	Bottom support	ZA1876	28	
	Top support	ZA1877	22	
	Packing box 21	ZA2525	16	059 159 259
	Packing box 21	ZA2528	16	051 151 251 252
Documents:				
	Users guide Nokia ENFRSP	ZF4520	09	051 059 151 159 251 252 258 259
	Users guide Nokia GEITSWFI	ZF4521	11	051 151 251 252
	Nokia monitor setup Win95	ZK0003	08	->96497
	Nokia monitor setup Win95	ZK0004	08	96501->
	Nokia monitor setup Win95	ZK0005	08	97291->

