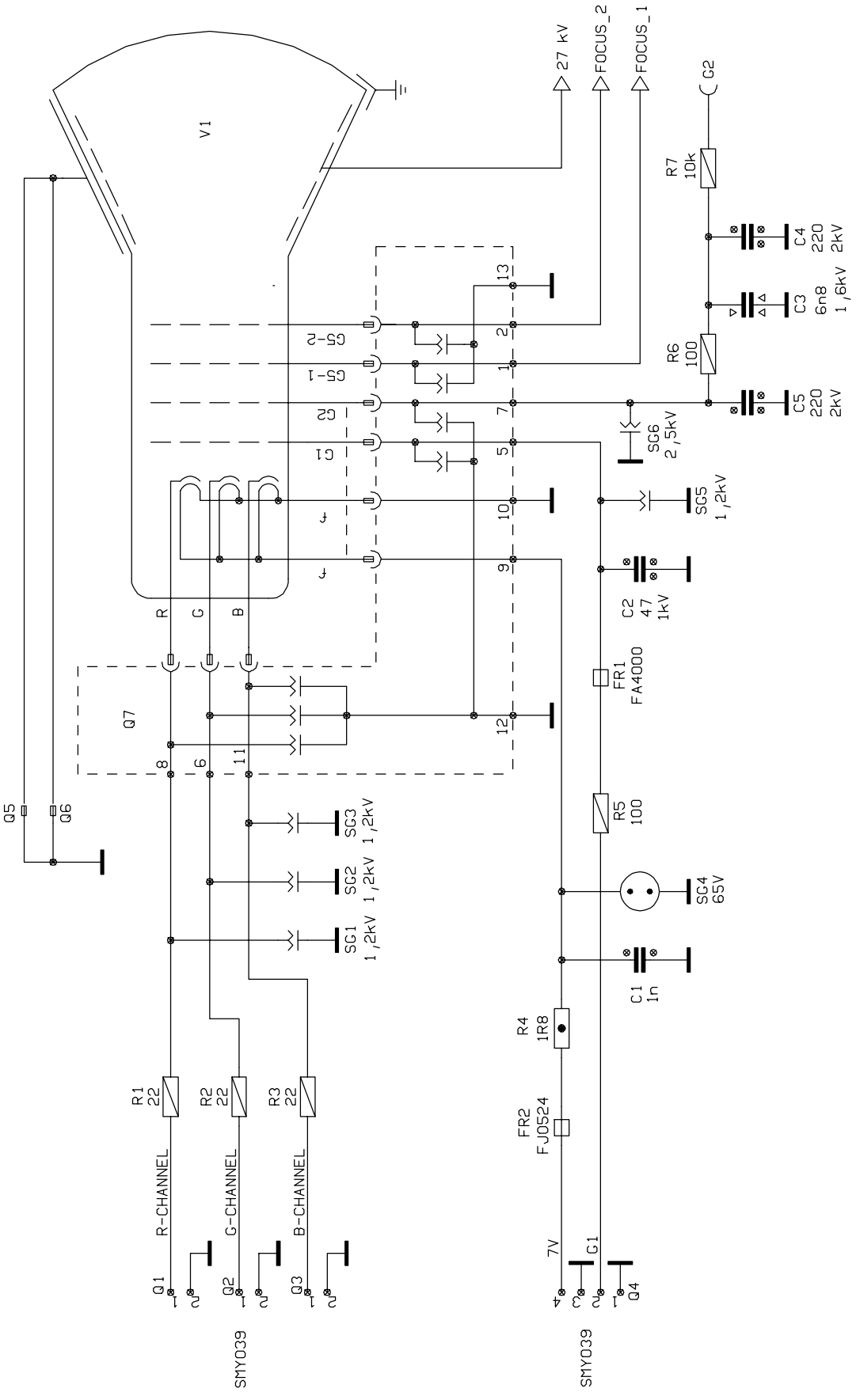


| Part Number | Description                       | PG | Item Number         |
|-------------|-----------------------------------|----|---------------------|
| AB0130      | NF RES 0W5 1R80 J 2.5-7 MF        | 02 | RH 004              |
| AC4400      | CHIPRES 0W1 0R0 5%                | 01 | FRH 001             |
| AD0333      | COMPRES 0W5 22R K 4-11            | 02 | RH 001 002 003      |
| AD0349      | COMPRES 0W5 100R K 4-11           | 01 | RH 005 006          |
| AD0397      | COMPRES 0W5 10K K 4-11            | 01 | RH 007              |
| CA0306      | CERCAP Y5T 220P M 2KV Y7,5 D9     | 02 | CH 004 005          |
| CB0539      | CERCAP SL 47P K 1KV Y5: D6        | 03 | CH 002              |
| CC0200      | CERCAP Y5P 1N0 K 500V Y5: D9      | 01 | CH 001              |
| CE2325      | IMPCAP 6N8 J 1K6V Y15 081518      | 05 | CH 003              |
| FJ0524      | FERRITE CHOKE                     | 03 | FRH 002             |
| QK0851      | TAP CONN RTM 1,3/5/8.002          | 01 | QH 005 006          |
| QK1325      | COAXIAL JACK FEMALE FOR CABLE     | 04 | QH 001 002 003      |
| QK1715      | BASE PIN COPPER 2.35X0.25X13.2    | 02 | GH2                 |
| QM1022      | PICOFLEX ASSY BI-IDC 4-POS 100MM  | 02 | QH 004              |
| QM0142      | CABLE ASSY W/MINI PLUGS 200MM RED | 15 | QH 001              |
| QM0143      | CABLE ASSY W/MINI PLUGS 200MM BLU | 15 | QH 003              |
| QM0144      | CABLE ASSY W/MINI PLUGS 200MM GRE | 15 | QH 002              |
| QT0002      | SPARK GAP 1,2KV +-500V R=5,0MM    | 03 | SGH 001 002 003 005 |
| QT0004      | SPARK GAP 2,5KV +-500V R=5,0MM    | 05 | SGH 006             |
| QT0217      | GLIMM LAMP 65V 6*16MM             | 03 | SGH 004             |
| QK1606      | "CRT SOCKET FOR 17" HITACHI NEAT" | 13 | QH 007              |



| Symbol | Cerám      | Polypropylen | Polyester<br>Polycarb. |
|--------|------------|--------------|------------------------|
|        | $\leq 63V$ | $\leq 63V$   | 100V                   |
|        | 160V       | 160V         | 160V                   |
|        | 250V       | 250V         | 250V                   |
|        | 500V       | 500V         | 400V                   |
|        | 1.5kV      | 1.5kV        | 1.5kV                  |

54027G

ECN  
 ECNNO