

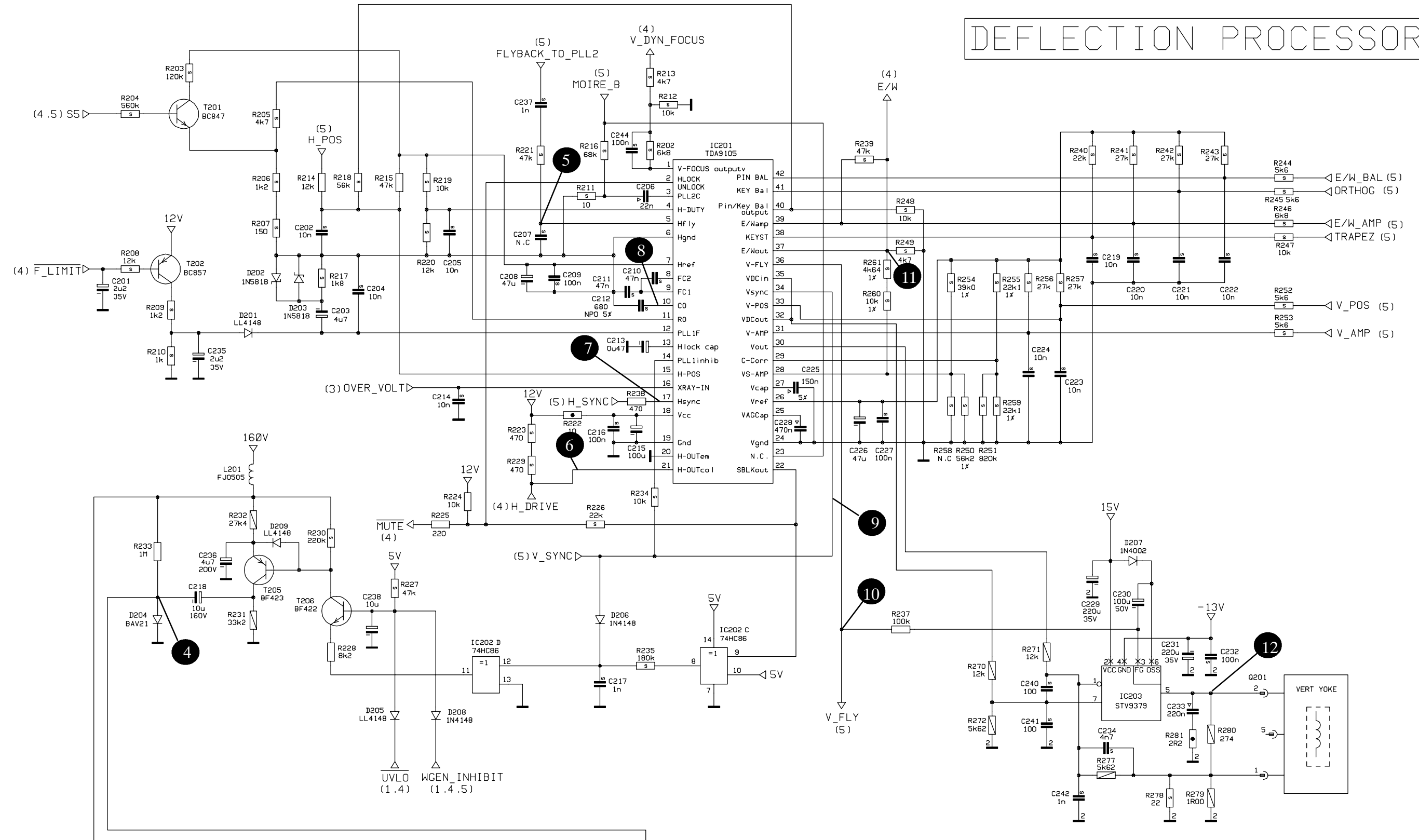
NB. Safety components marked with must be replaced with original or approved components only.
All printed boards and the back cover are also safety components

	CERAMIC	POLYPROPYLENE	POLYESTHER POLYCARBONATE
	≤ 63 V	≤ 63 V	≤ 63 V
	≤ 160 V	≤ 160 V	≤ 160 V
	≤ 250 V	≤ 250 V	≤ 250 V
	≤ 500 V	≤ 500 V	≤ 400 V
	$\leq 1,5$ kV	$\leq 1,5$ kV	$\leq 1,5$ kV

SMA 181 .SMA 185 .SMA 199
SMA200 .SMA207 .SMA216
SHEET 1 OF 6 56007N

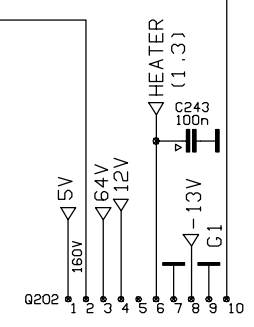
ECN
447S55

DEFLECTION PROCESSOR

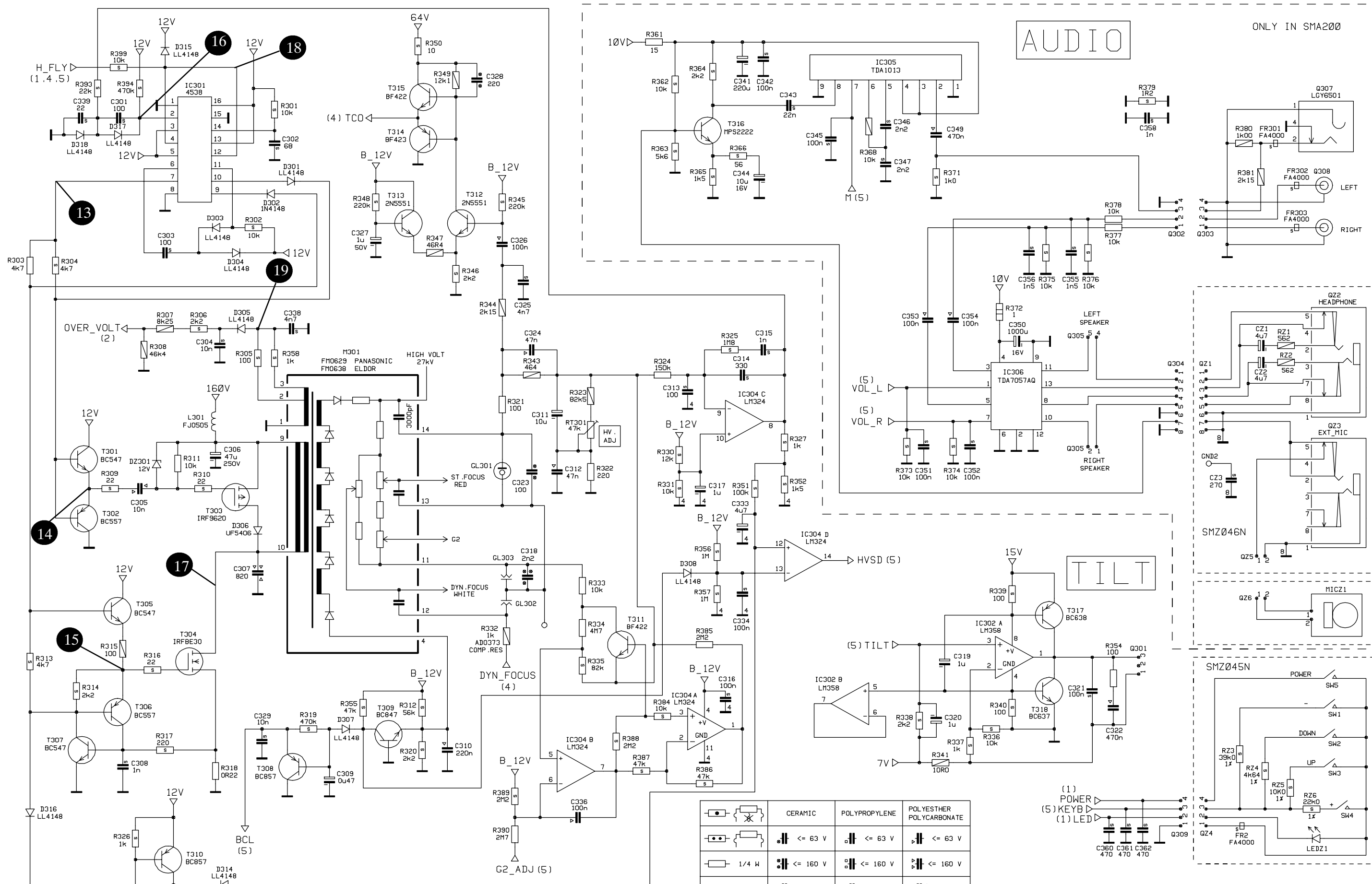


VERT. OUTPUT

	CERAMIC	POLYPROPYLENE	POLYESTHER POLYCARBONATE



SMA181 .SMA185 .SMA199
SMA200 .SMA207 .SMA216
56007N SHEET 2 OF 6



HV GENERATOR

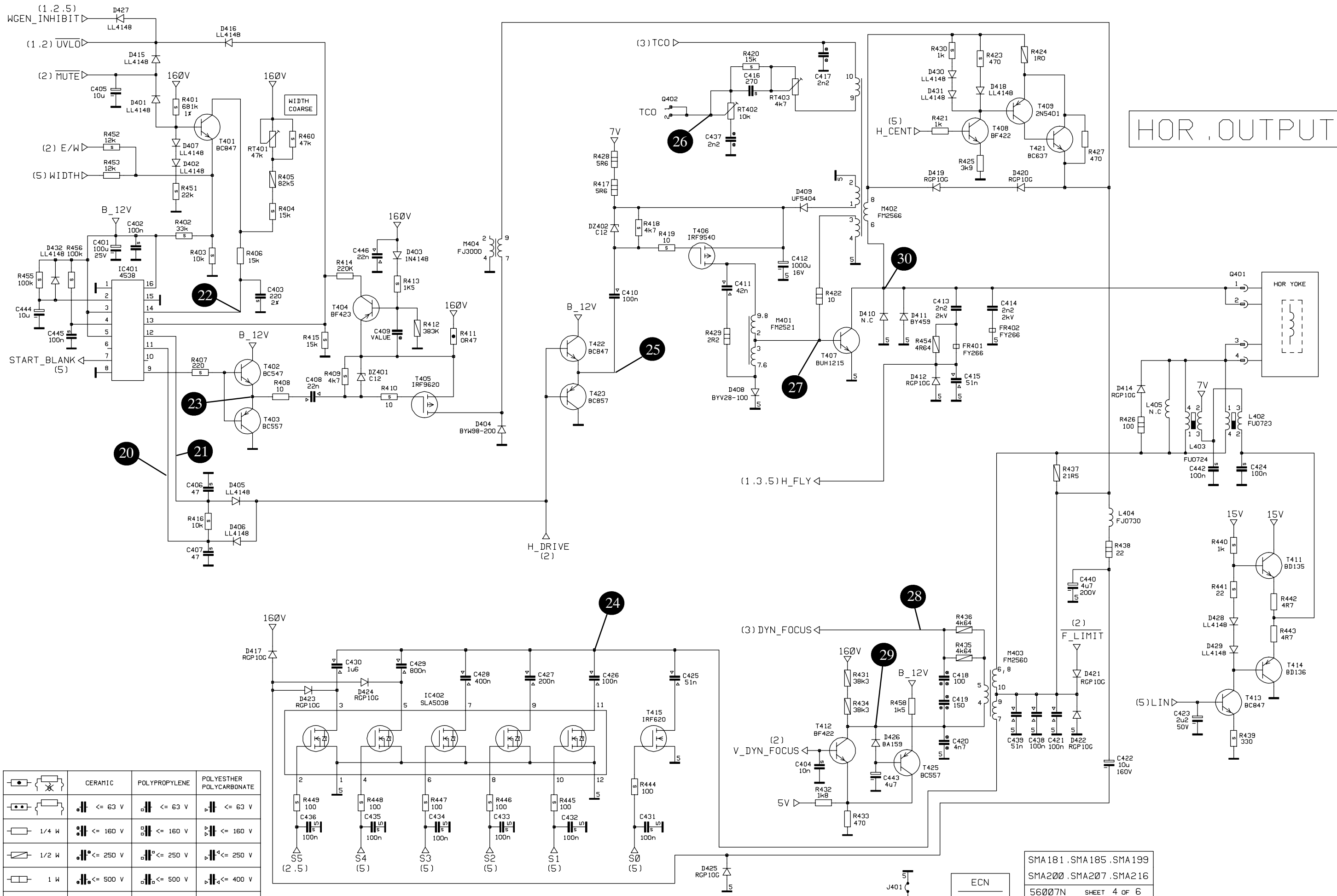
AUDIO

TILT

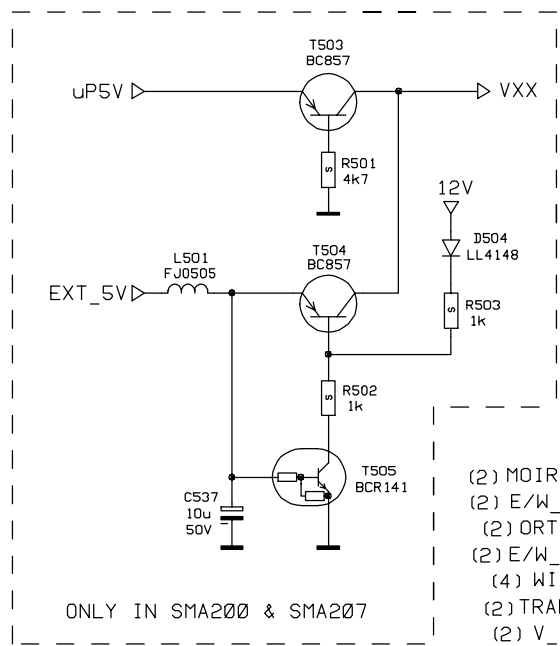
	CERAMIC	POLYPROPYLENE	POLYESTHER POLYCARBONATE

ECN
447S55

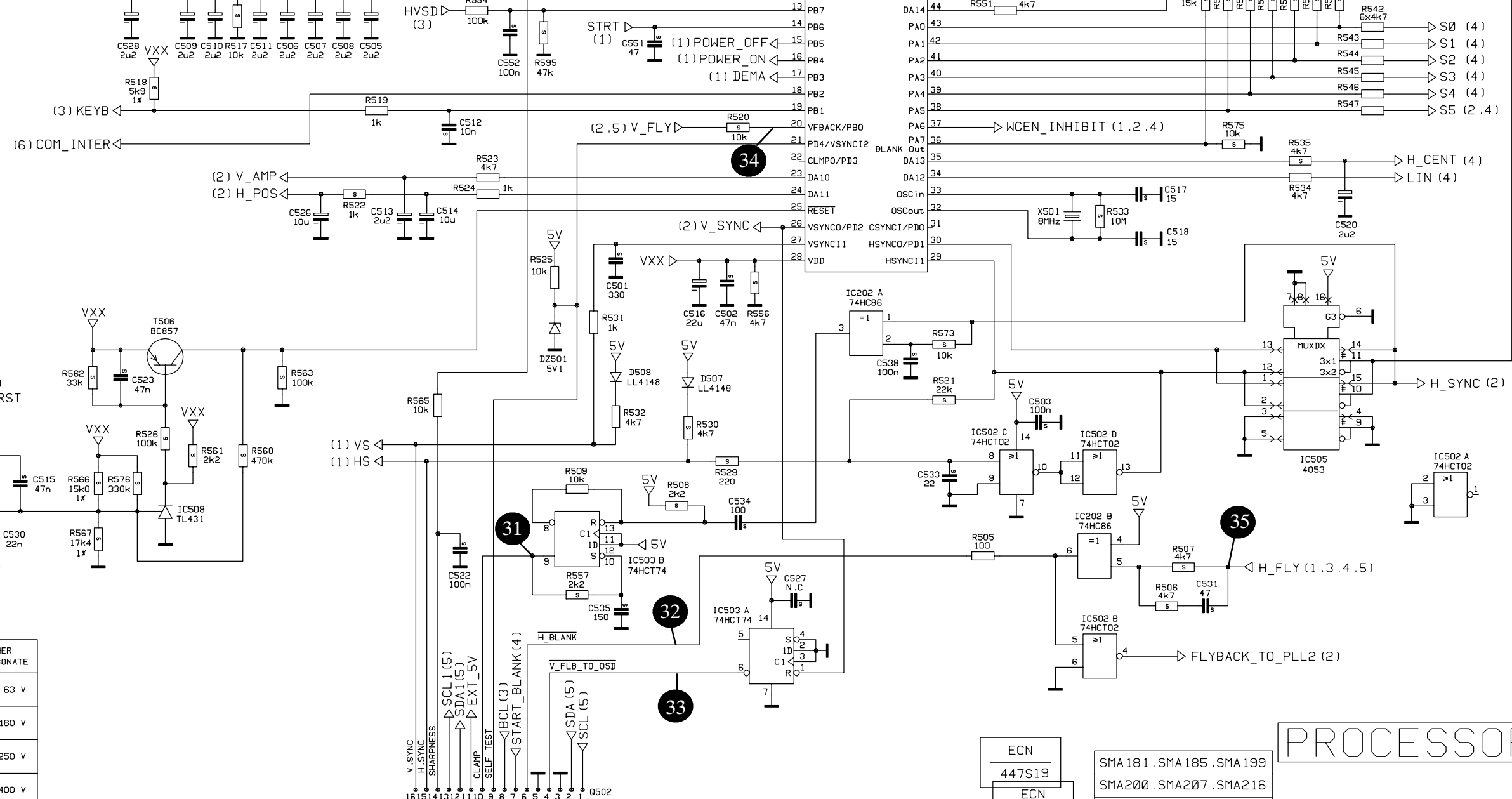
SMA181 .SMA185 .SMA199
SMA200 .SMA207 .SMA216
56007N SHEET 3 OF 6



	CERAMIC	POLYPROPYLENE	POLYESTHER POLYCARBONATE
	≤ 63 V	≤ 63 V	≤ 63 V
	1/4 W	≤ 160 V	≤ 160 V
	1/2 W	≤ 250 V	≤ 250 V
	1 W	≤ 500 V	≤ 400 V
	2 W	≤ 1,5 kV	≤ 1,5 kV



- (2) MOIRE_B
- (2) E/W_BAL
- (2) ORTHOC
- (2) E/W_AMP
- (4) WIDTH
- (2) TRAPEZ
- (2) V_POS

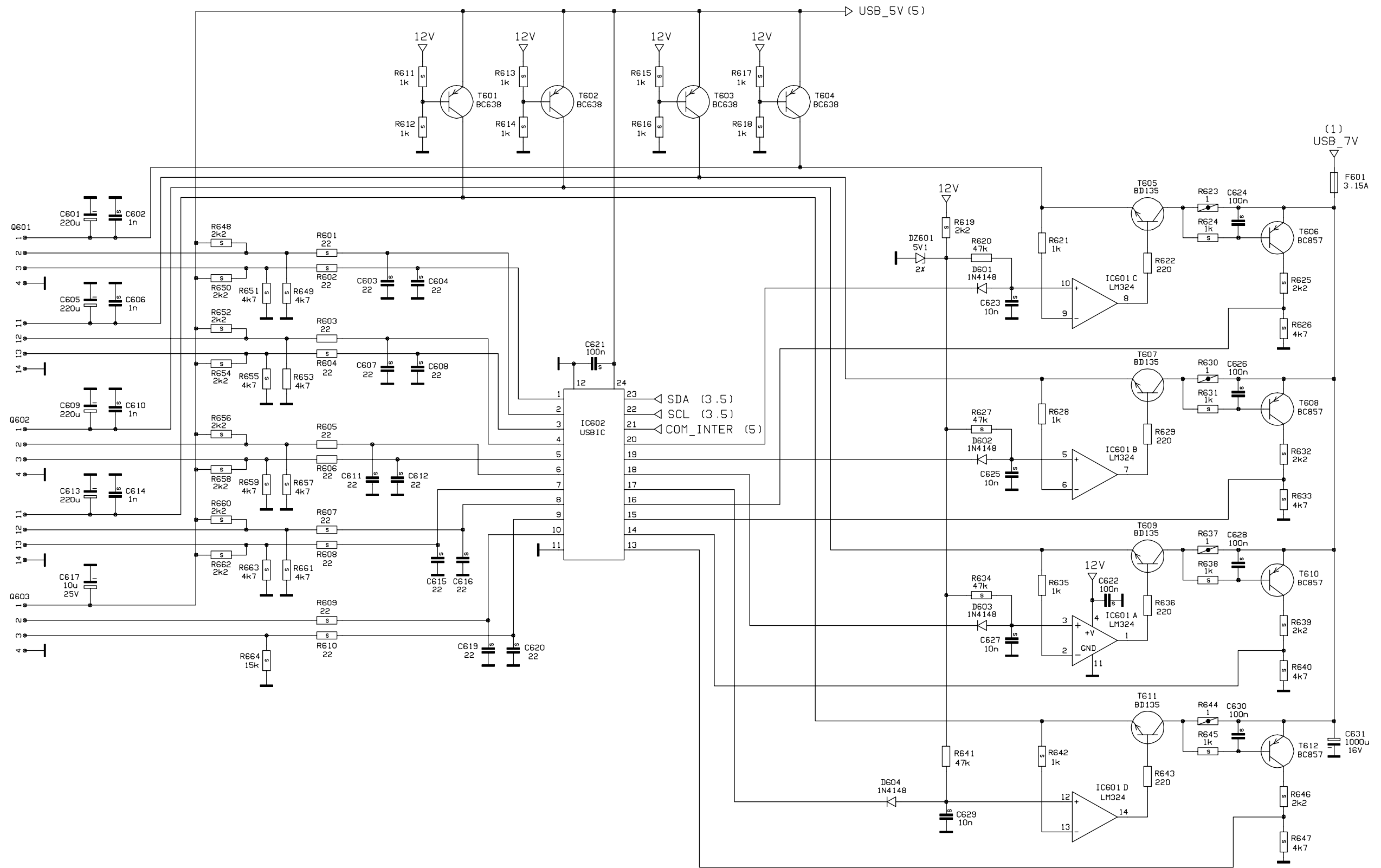


	CERAMIC	POLYPROPYLENE	POLYESTHER POLYCARBONATE
	≤ 63 V	≤ 63 V	≤ 63 V
	≤ 160 V	≤ 160 V	≤ 160 V
	≤ 250 V	≤ 250 V	≤ 250 V
	≤ 500 V	≤ 500 V	≤ 400 V
	$\leq 1,5$ kV	$\leq 1,5$ kV	$\leq 1,5$ kV

ECN
447S19
ECN
447S55

SMA181 .SMA185 .SMA199
SMA200 .SMA207 .SMA216
56007N SHEET 5 OF 6

PROCESSOR



	CERAMIC	POLYPROPYLENE	POLYESTHER POLYCARBONATE
	≤ 63 V	≤ 63 V	≤ 63 V
	≤ 160 V	≤ 160 V	≤ 160 V
	≤ 250 V	≤ 250 V	≤ 250 V
	≤ 500 V	≤ 500 V	≤ 400 V
	≤ 1,5 kV	≤ 1,5 kV	≤ 1,5 kV

USB

ECN
447S55

SMA181 .SMA185 .SMA199
SMA200 .SMA207 .SMA216
56007N SHEET 6 OF 6