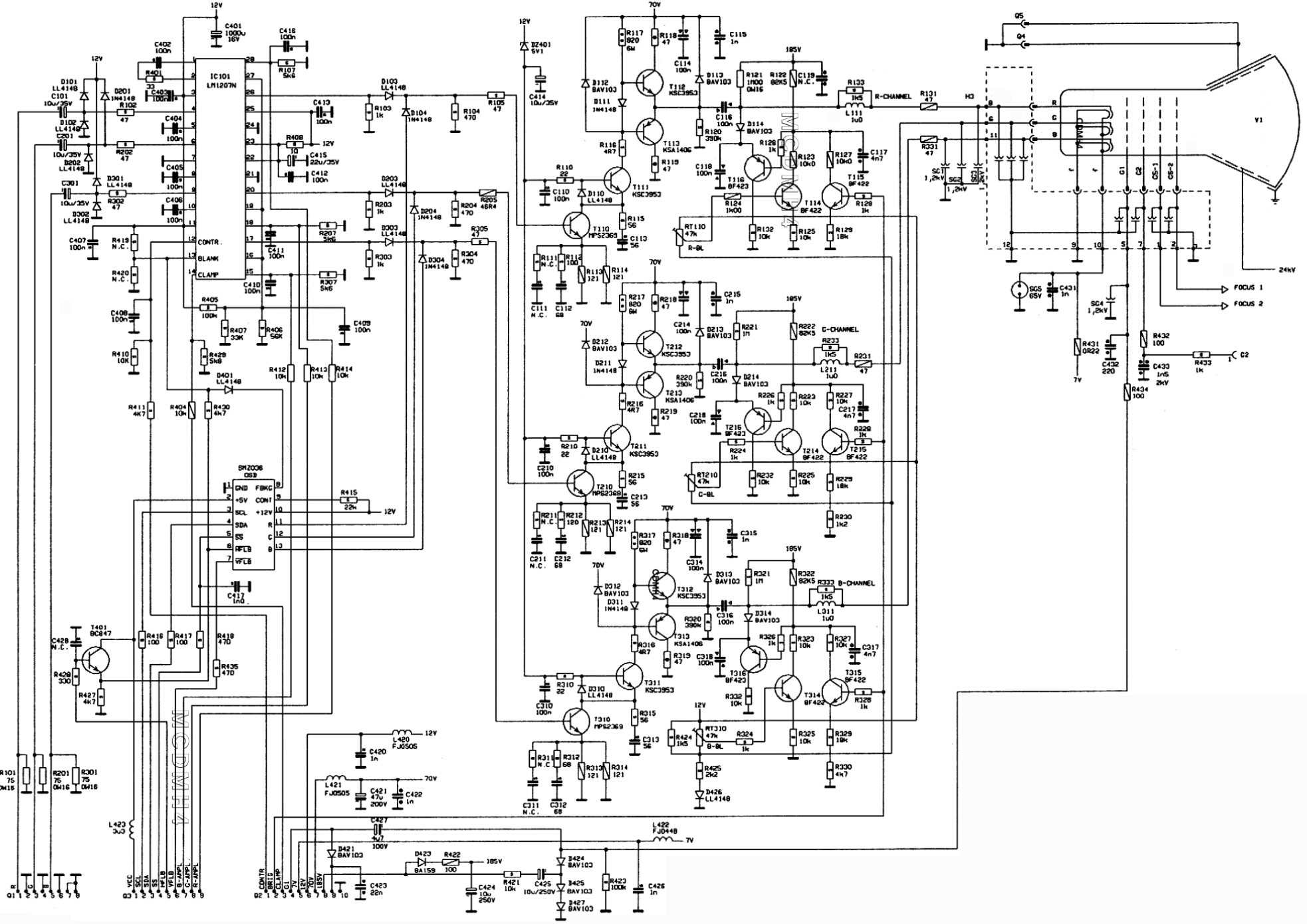


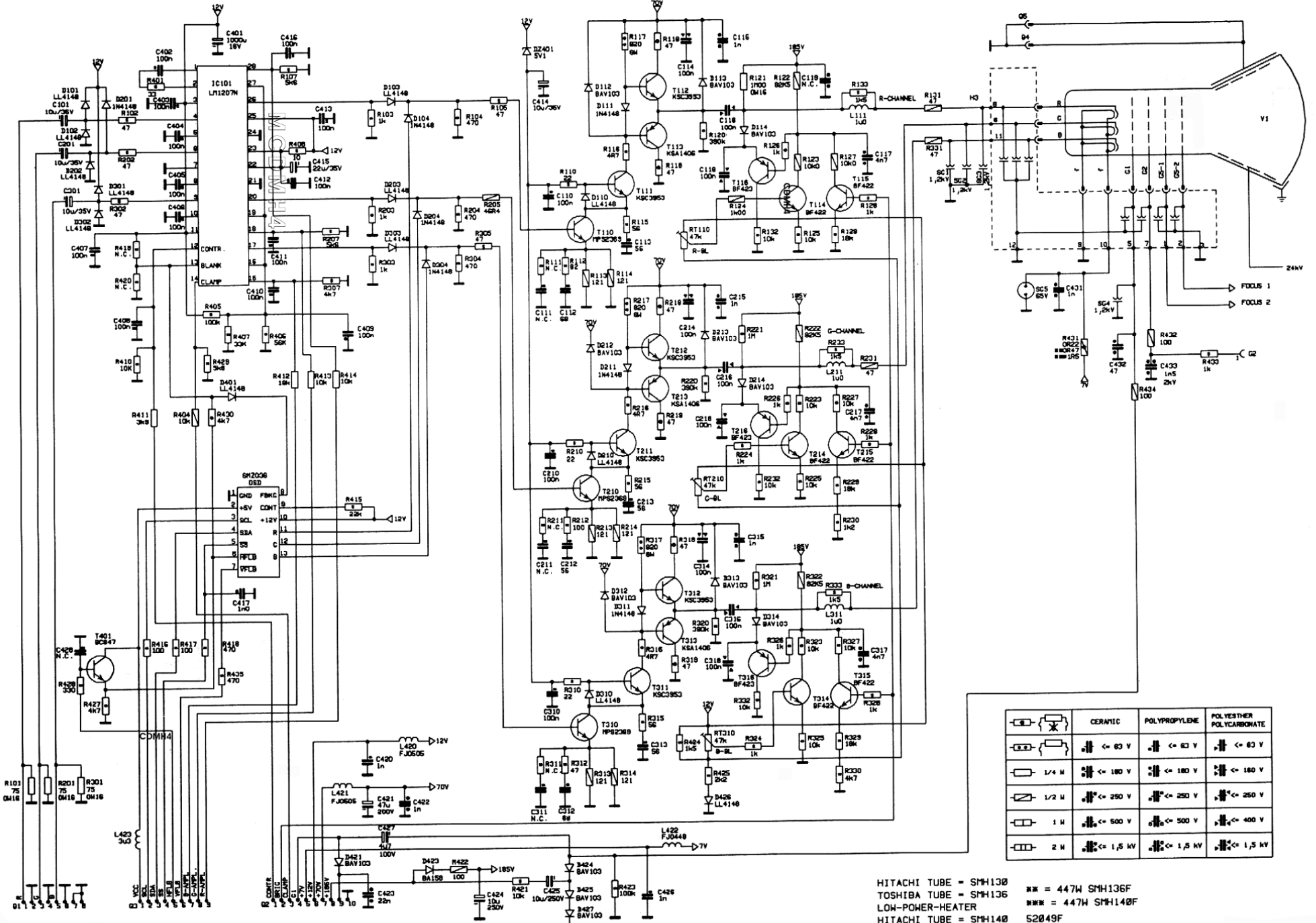
SMH130/136

.96



447W

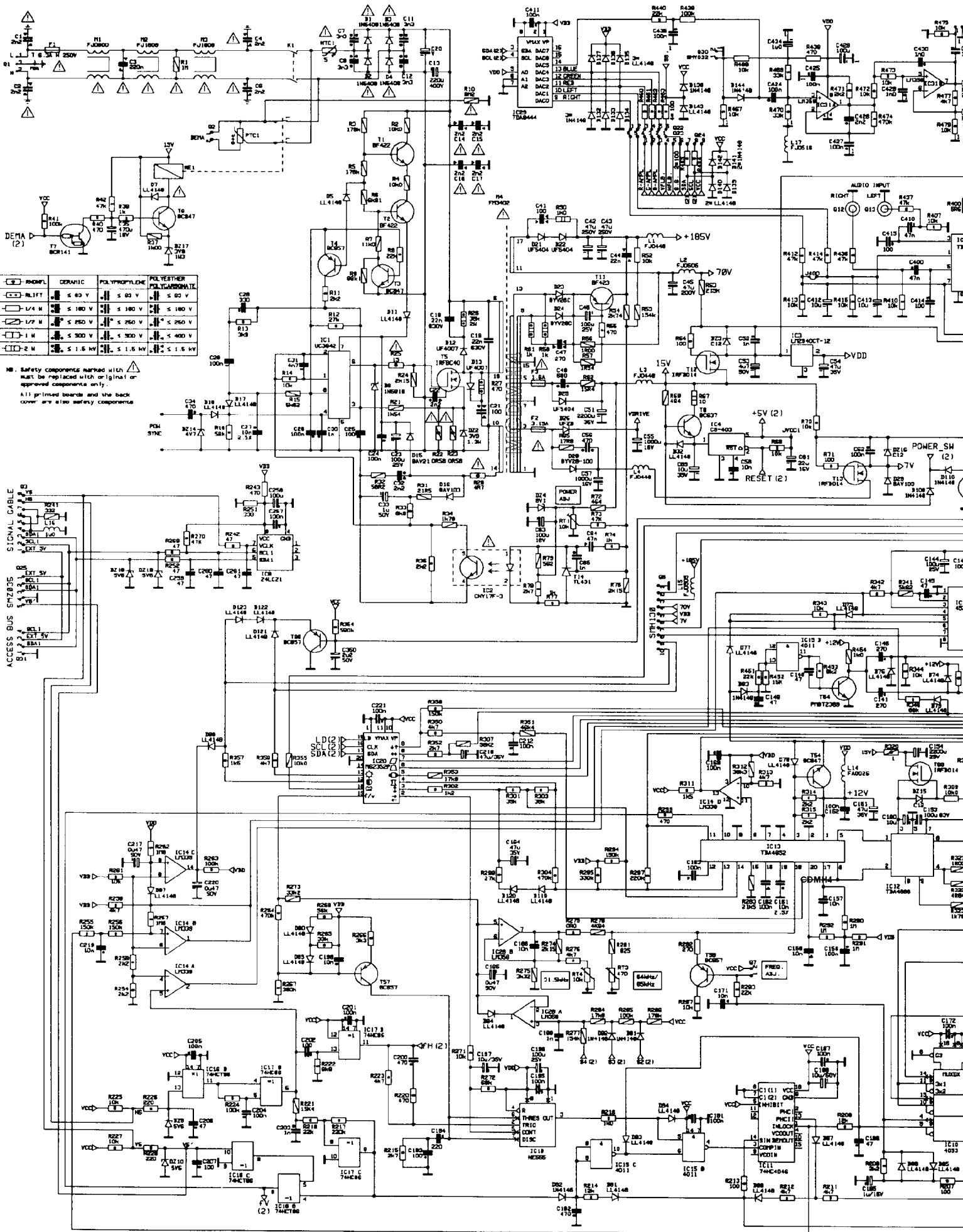




Symbol	CERAMIC	POLYPROPYLENE	POLYESTER POLYCARBONATE

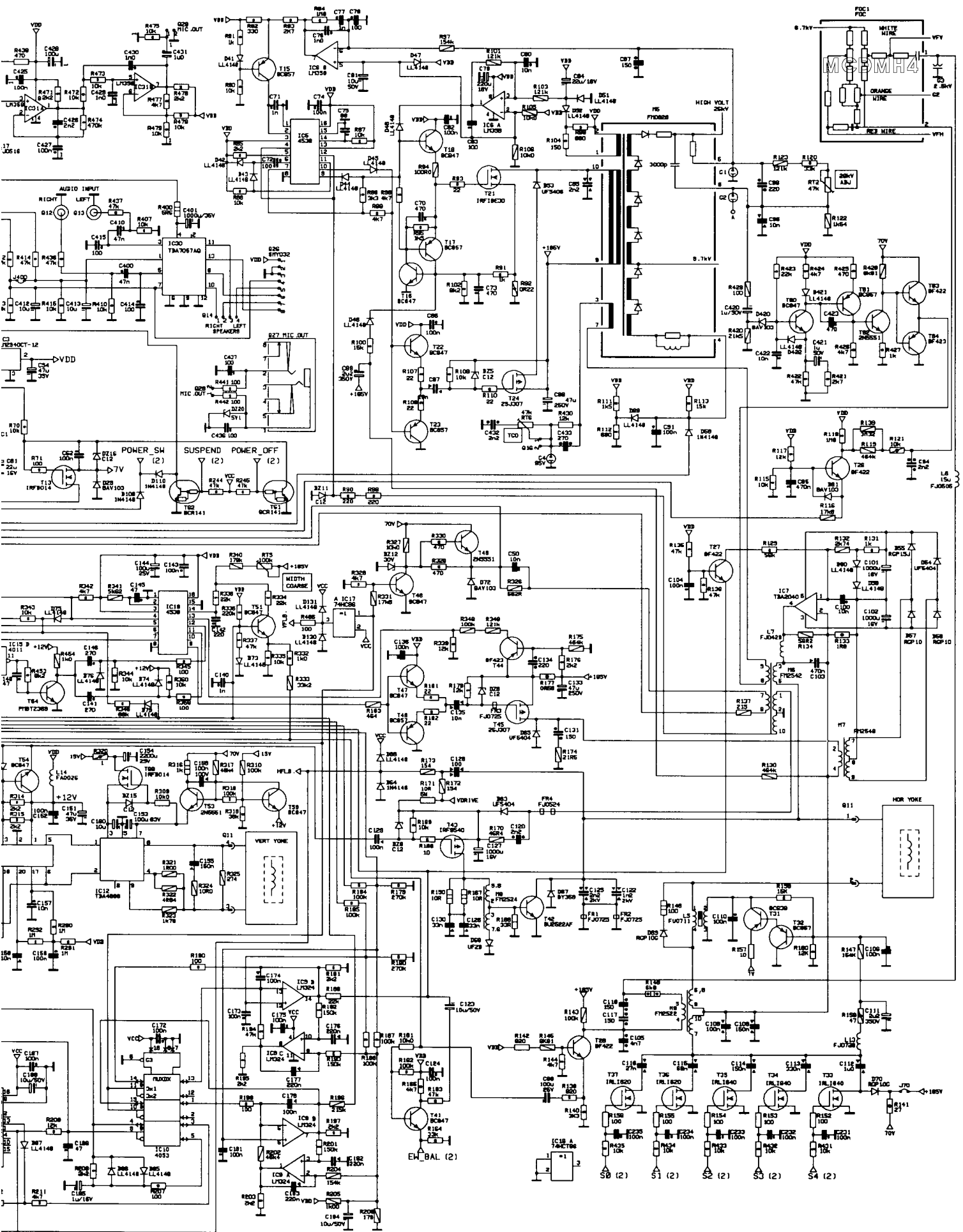
HITACHI TUBE = SMH130
 TOSHIBA TUBE = SMH136
 LOW-POWER-HEATER
 HITACHI TUBE = SMH140

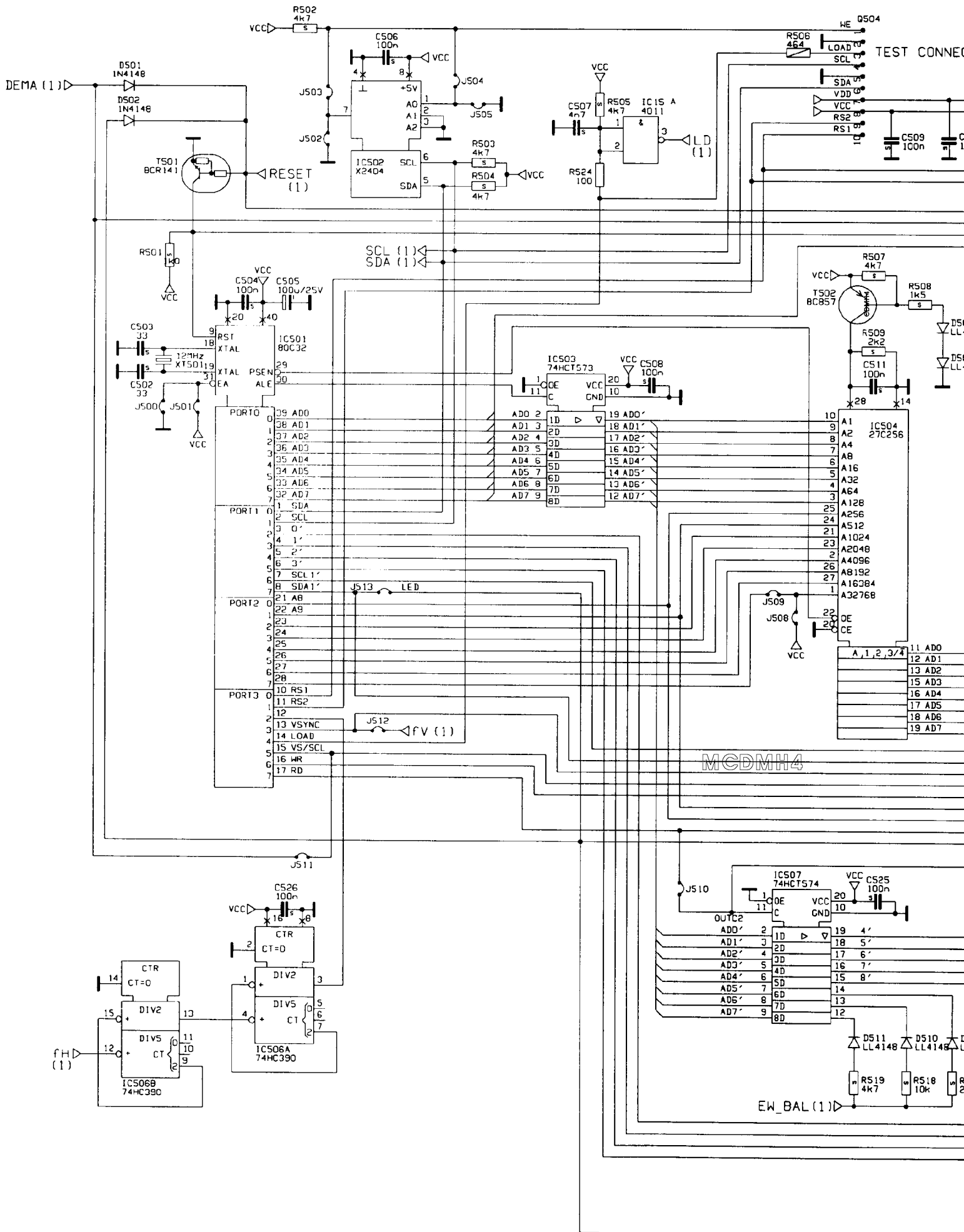
** = 447W SMH136F
 *** = 447W SMH140F
 52049F

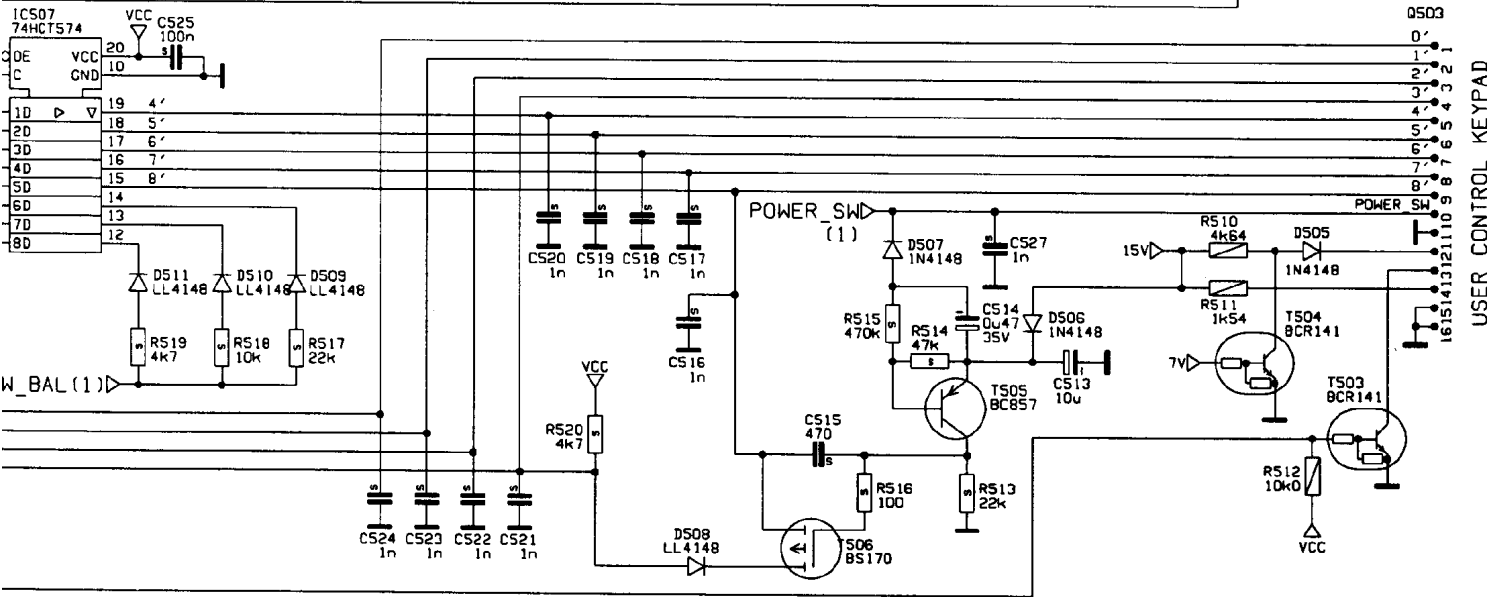
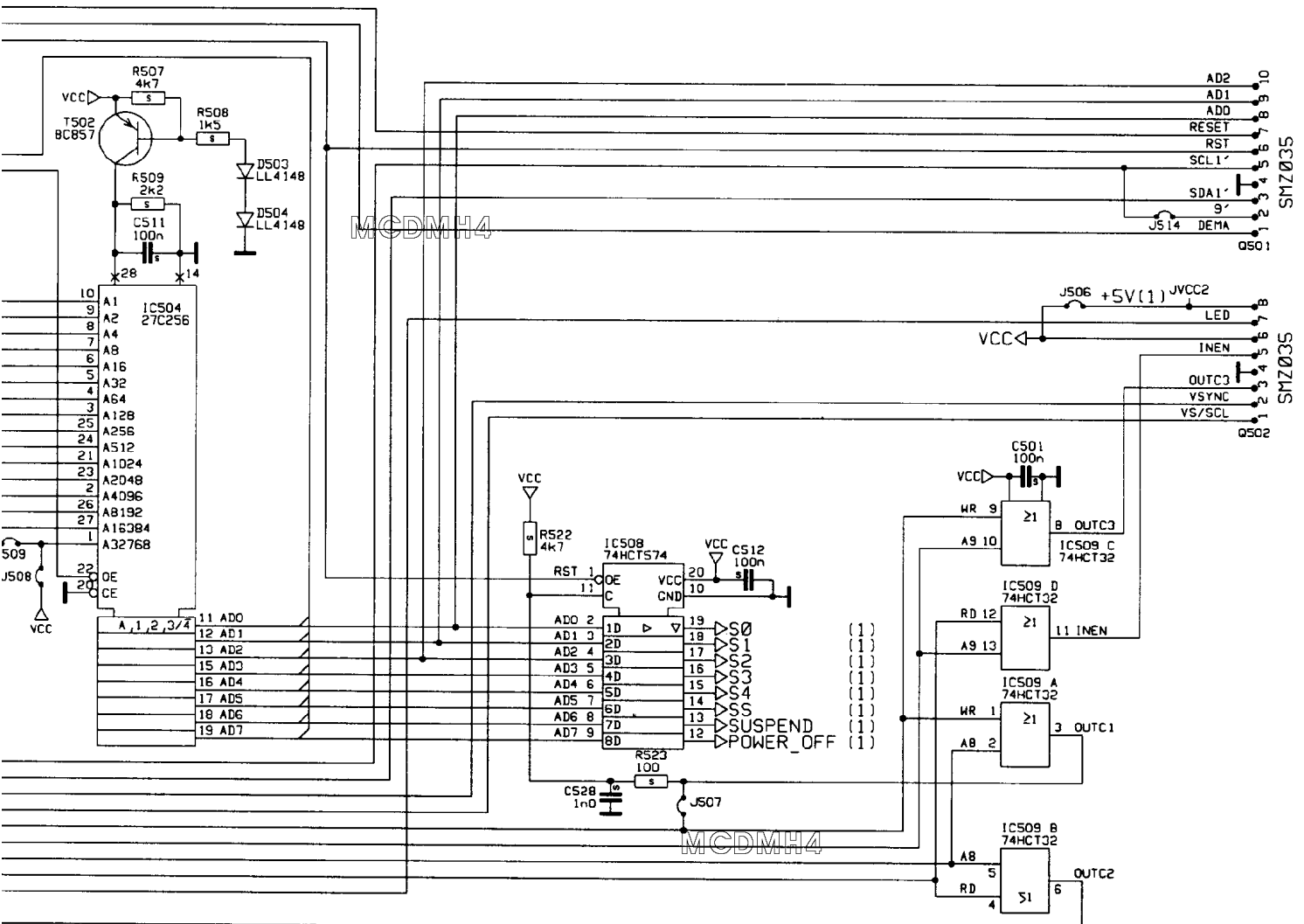
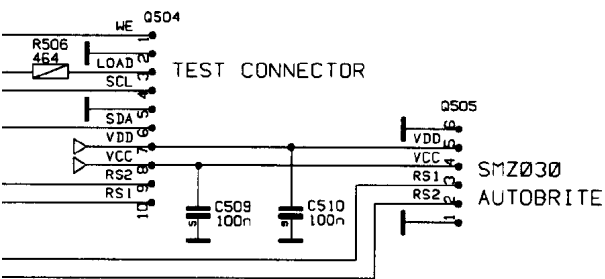


RESISTOR	CERAMIC	POLYPROPYLENE	POLYESTER	POLYBENZOTRIAZOLE
□	□	□	□	□
○	○	○	○	○
△	△	△	△	△
◇	◇	◇	◇	◇
▽	▽	▽	▽	▽
◇	◇	◇	◇	◇
◇	◇	◇	◇	◇
◇	◇	◇	◇	◇
◇	◇	◇	◇	◇

MS. Safety components marked with must be replaced with original or approved components only.
 All printed boards and the back cover are also safety components.

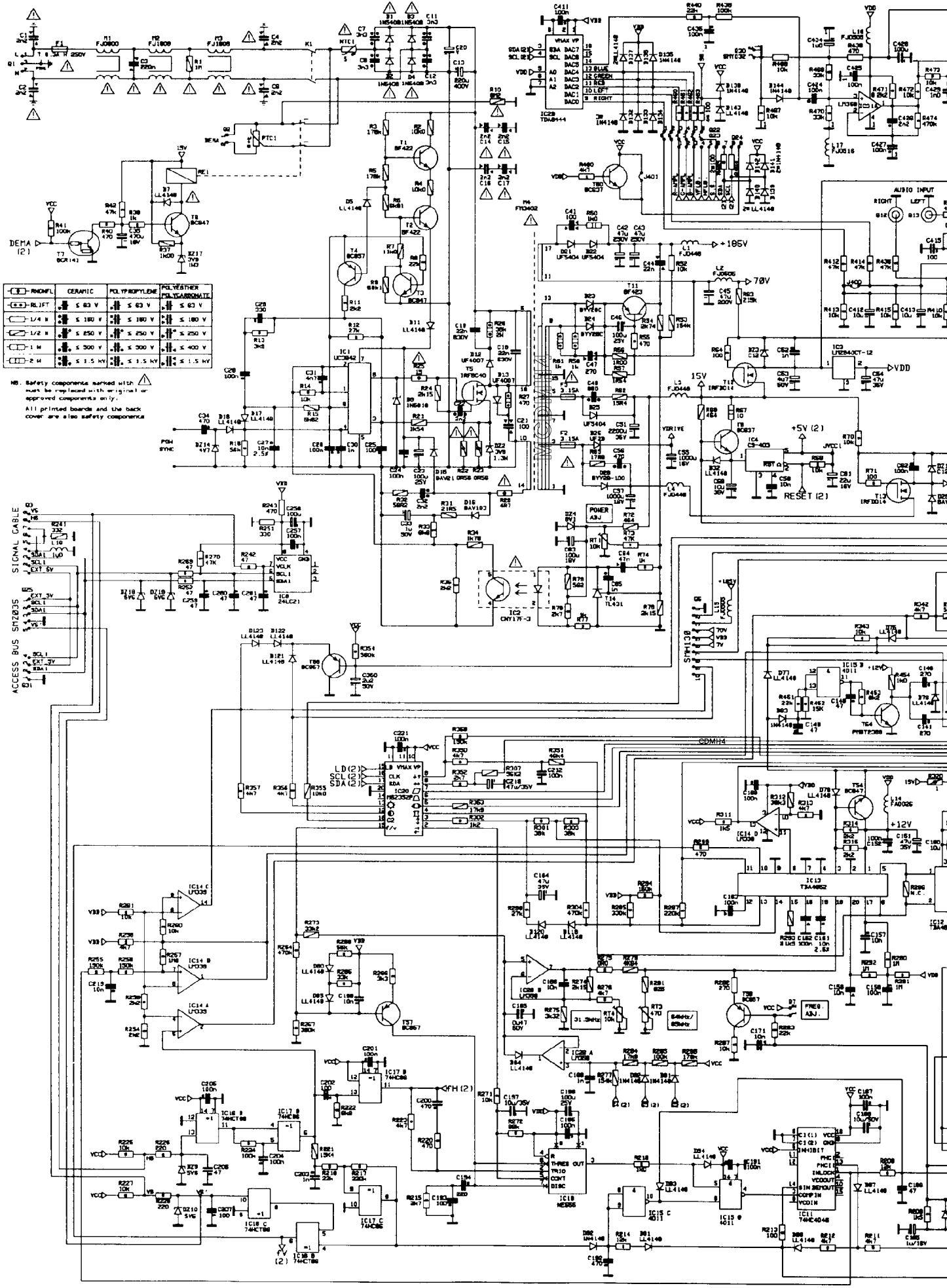


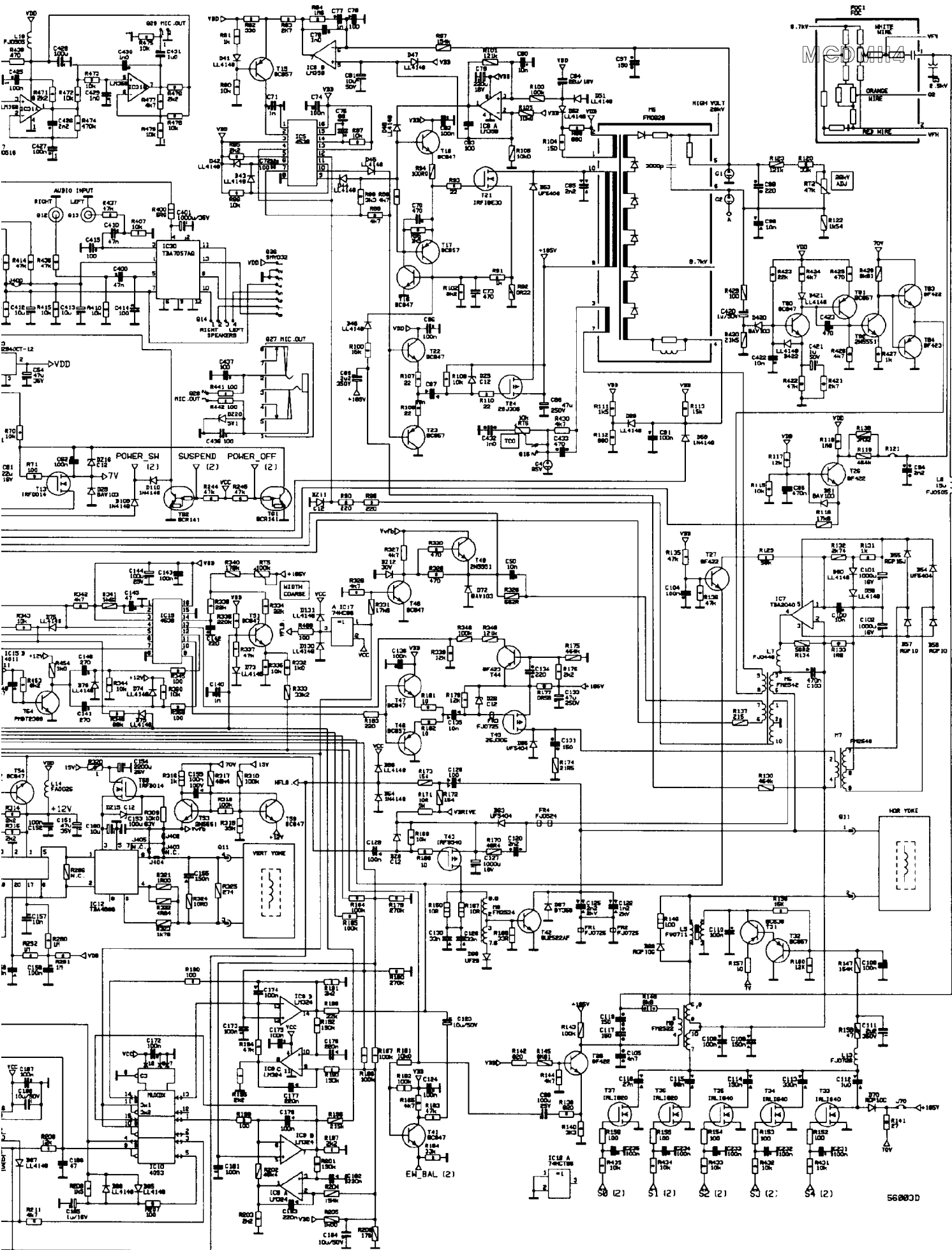


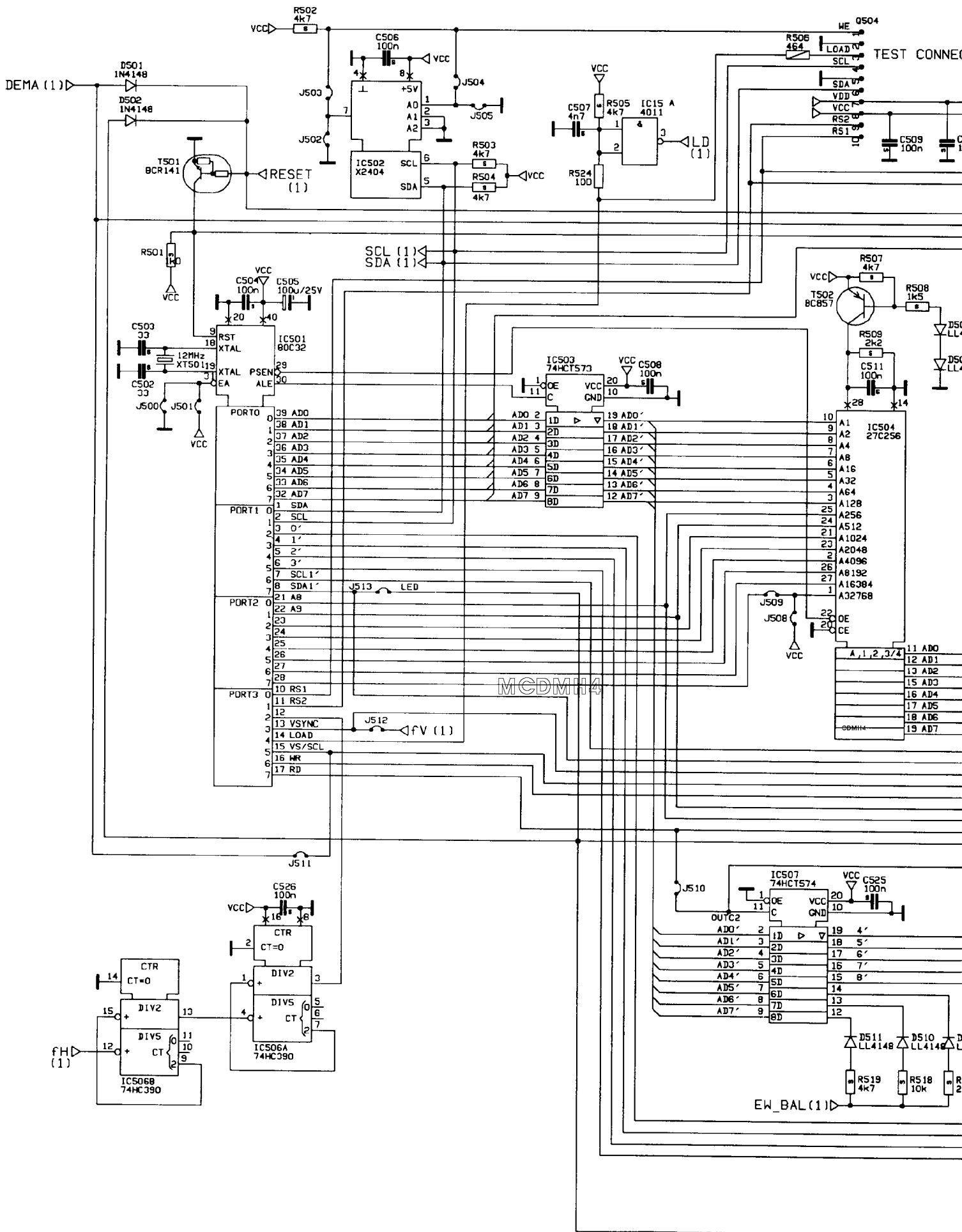


Symbol	Material	Value	Material	Value	Material	Value
	RESIN-EPFL	CERAMIC	POLYPROPYLENE	POLYESTER	POLYESTER	POLYESTER
	RESIN-EPFL	S 63 V	S 63 V	S 63 V	S 63 V	S 63 V
	1/4 W	S 180 V	S 180 V	S 180 V	S 180 V	S 180 V
	1/2 W	S 250 V	S 250 V	S 250 V	S 250 V	S 250 V
	1 W	S 300 V	S 300 V	S 300 V	S 300 V	S 300 V
	2 W	S 350 V	S 350 V	S 350 V	S 350 V	S 350 V

NOTE: Safety components marked with must be replaced with original or approved components only.
All printed boards and the back cover are also safety components.

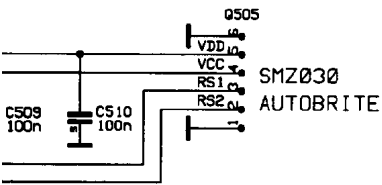




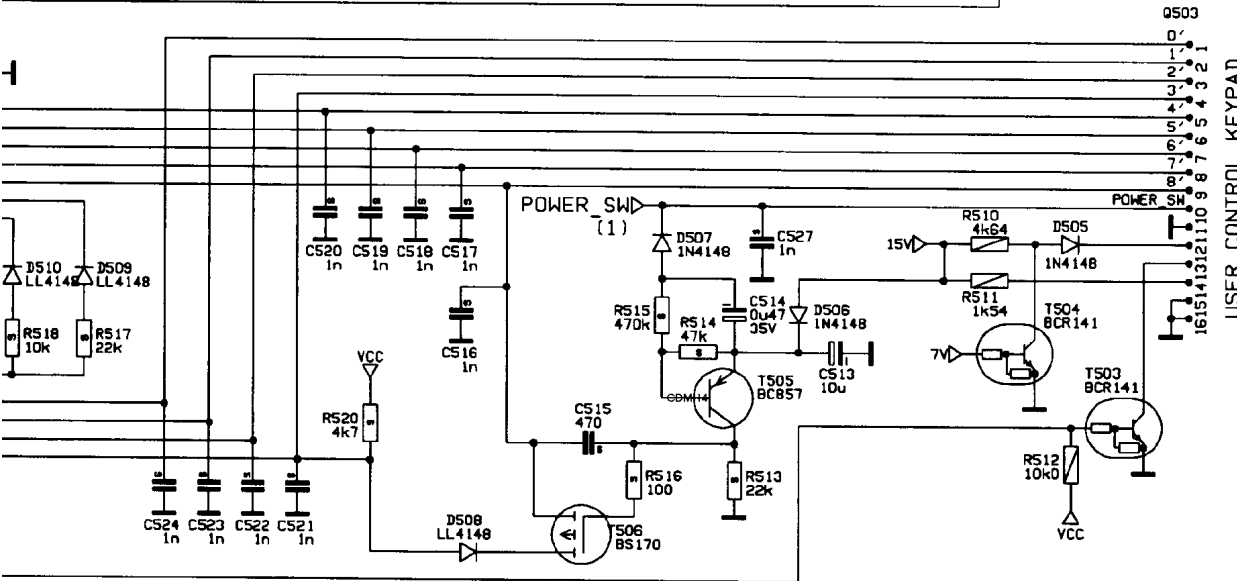
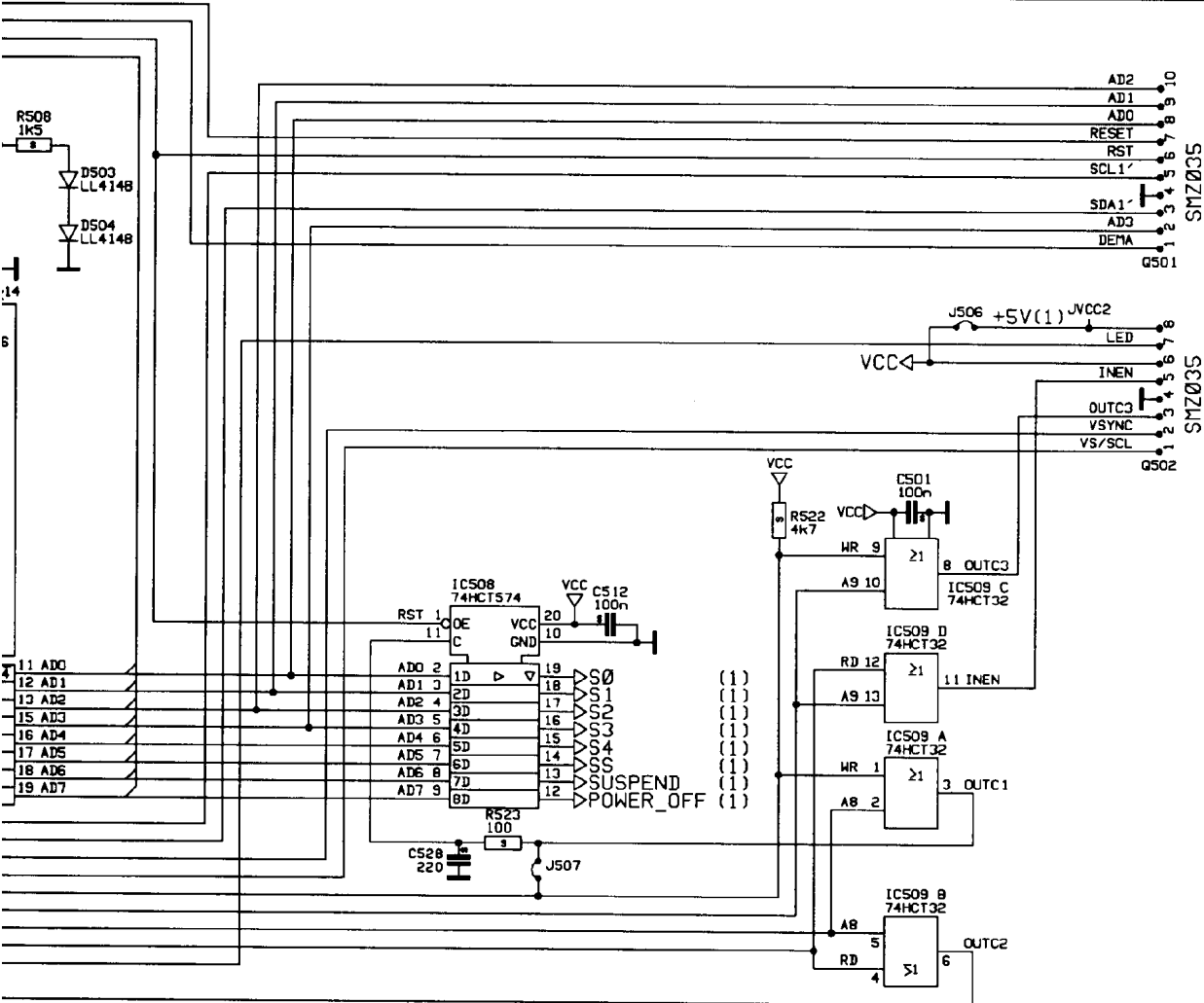


SMA160D 169D **2**
SMA173D 174D
 .96

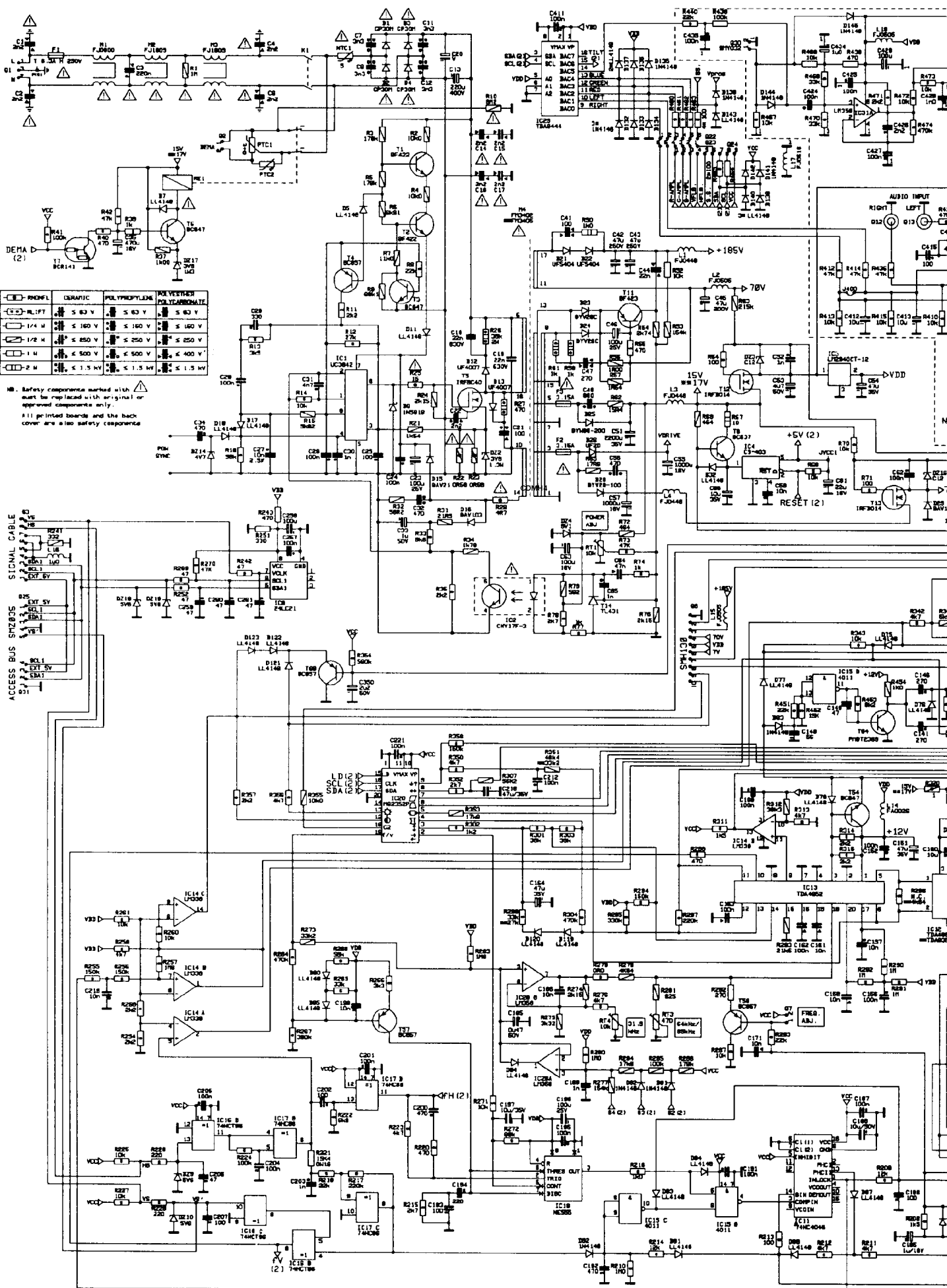
T CONNECTOR



	CERAMIC	POLYPROPYLENE	POLYESTHER POLYCARBONATE



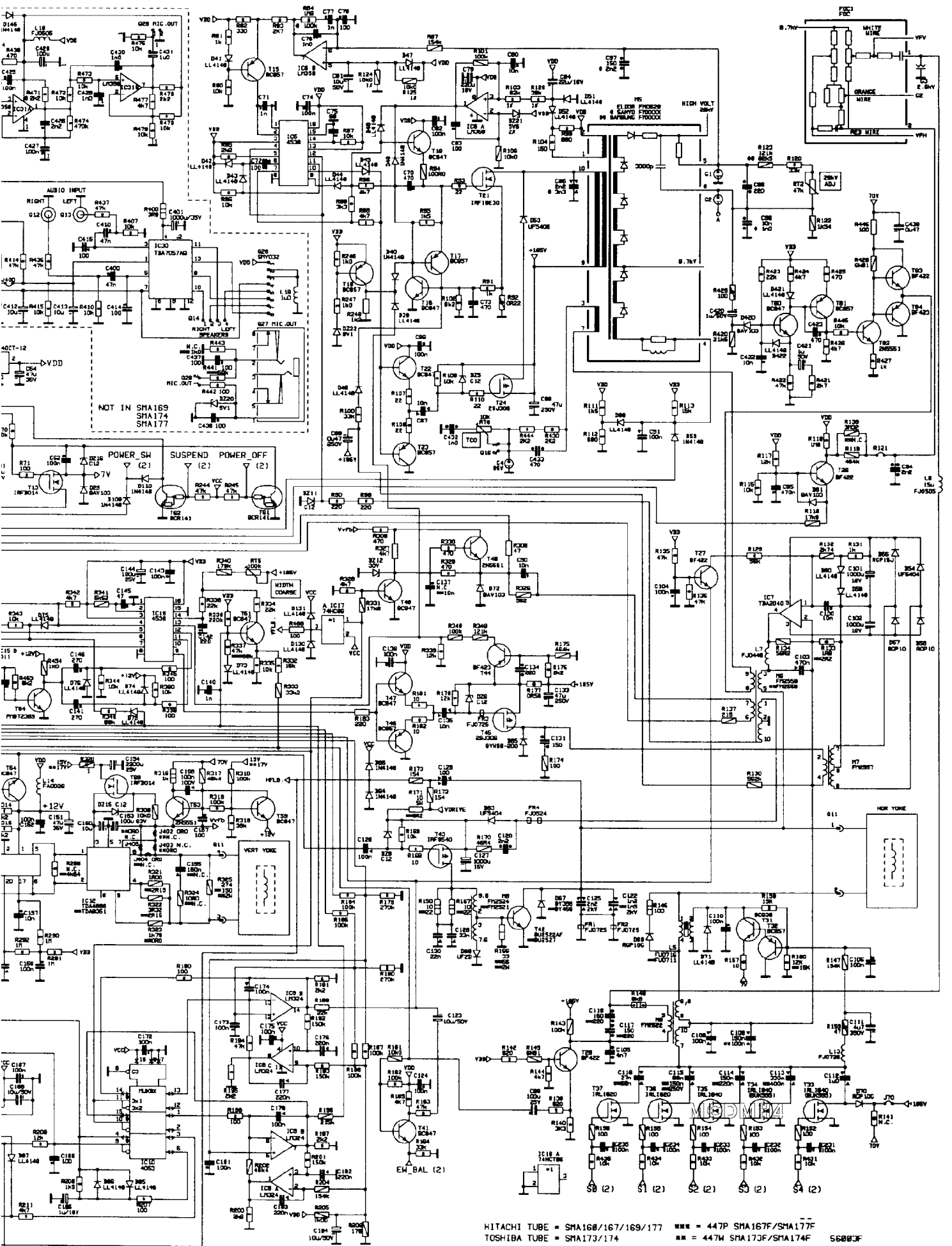
56003D



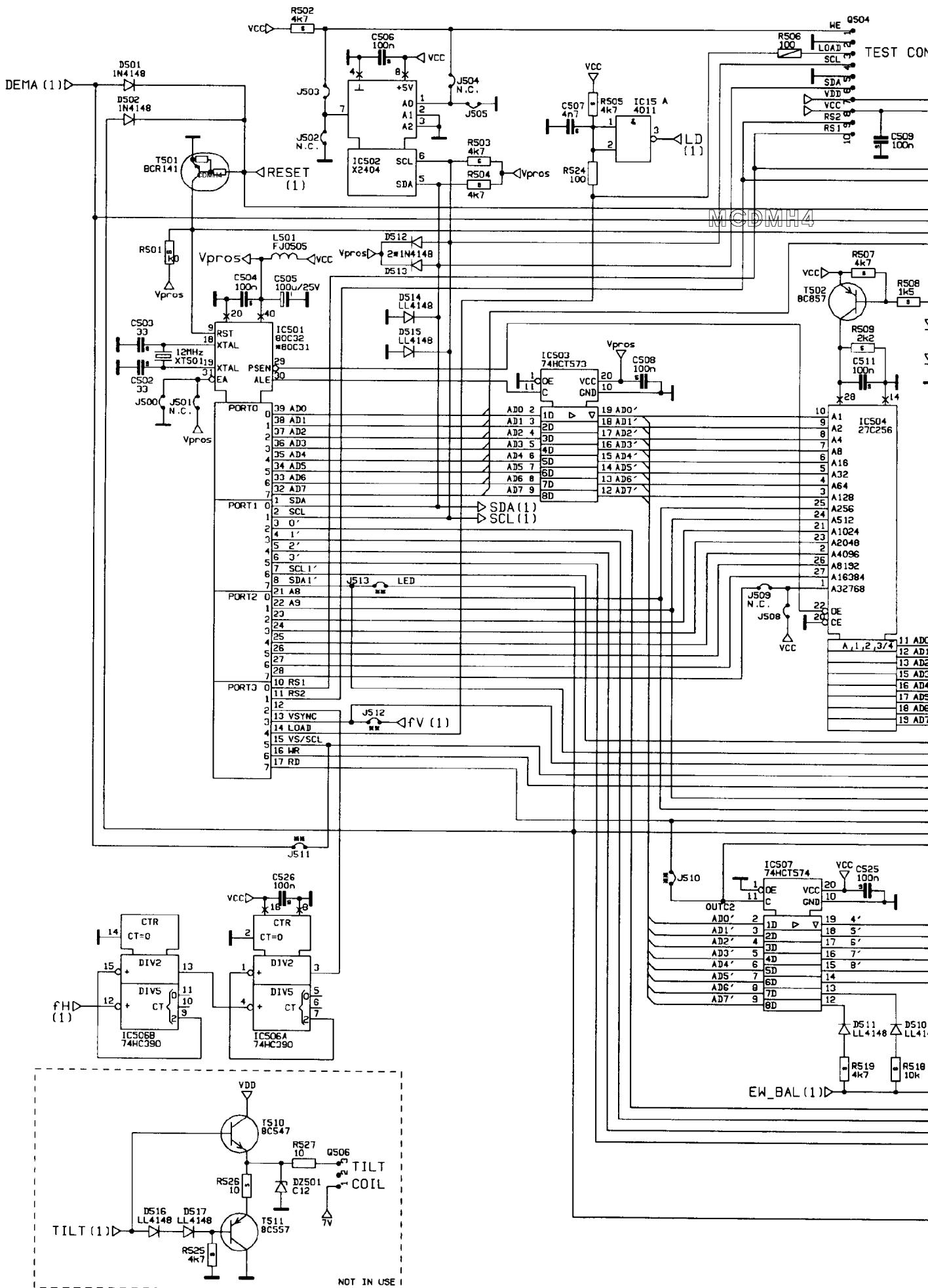
RESIN	OSRATIC	POLYPROPYLENE	POLYESTER	POLYBENZOTRADIENE
1/4 M	≤ 160 V	≤ 160 V	≤ 160 V	≤ 160 V
1/2 M	≤ 250 V	≤ 250 V	≤ 250 V	≤ 250 V
1 M	≤ 500 V	≤ 500 V	≤ 400 V	≤ 400 V
2 M	≤ 1.5 kV	≤ 1.5 kV	≤ 1.5 kV	≤ 1.5 kV

NB. Safety components marked with must be replaced with original or approved components only.
 All printed boards and the back cover are also safety components.

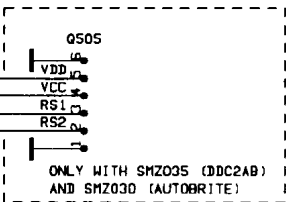
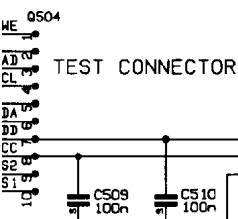
SIGNAL CABLE
 ACCESS BUS SM2805



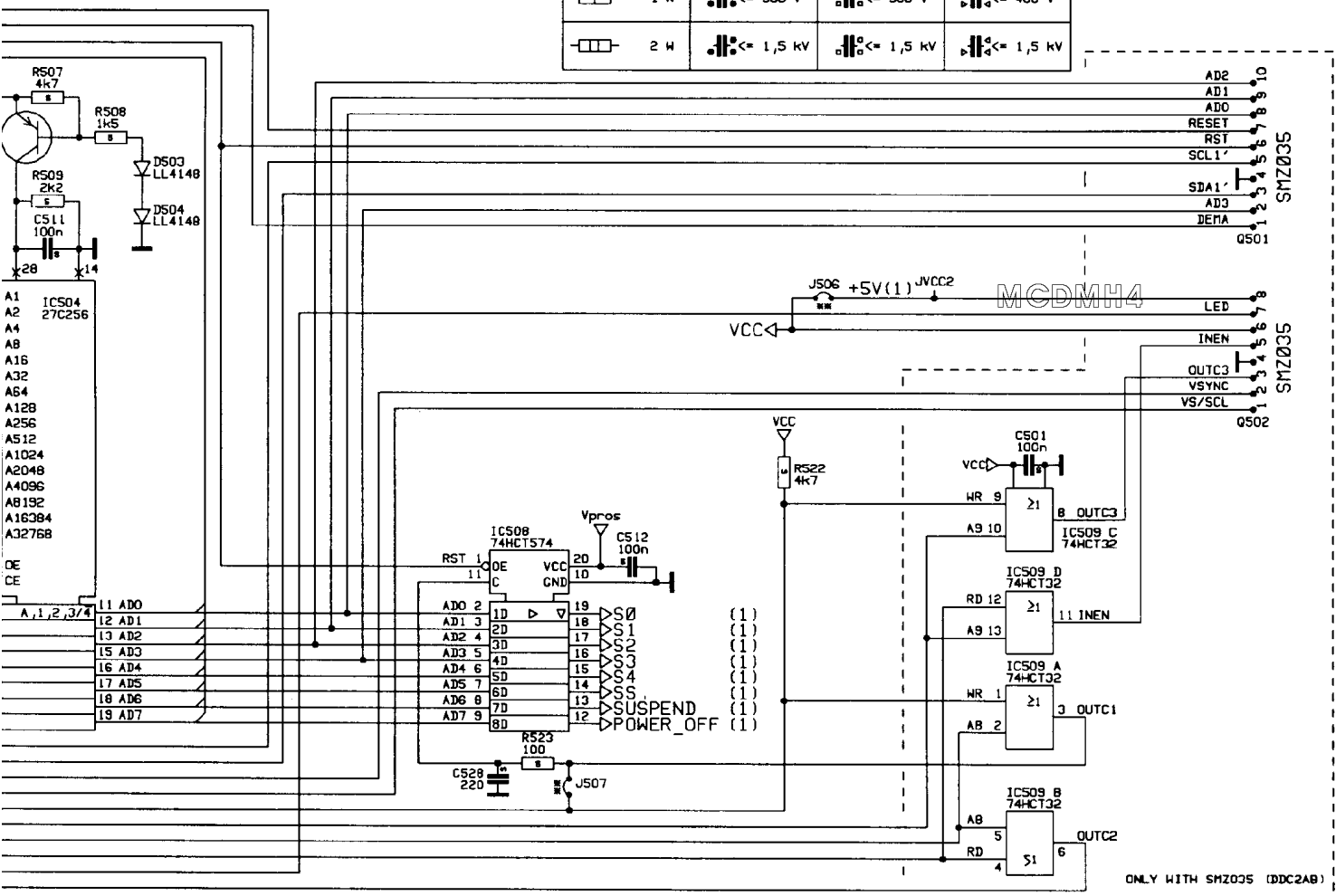
HITACHI TUBE = SMA168/167/169/177 6X47 = 447P SMA167F/SMA177F
 TOSHIBA TUBE = SMA173/174 6X48 = 447V SMA173F/SMA174F 6S800JF



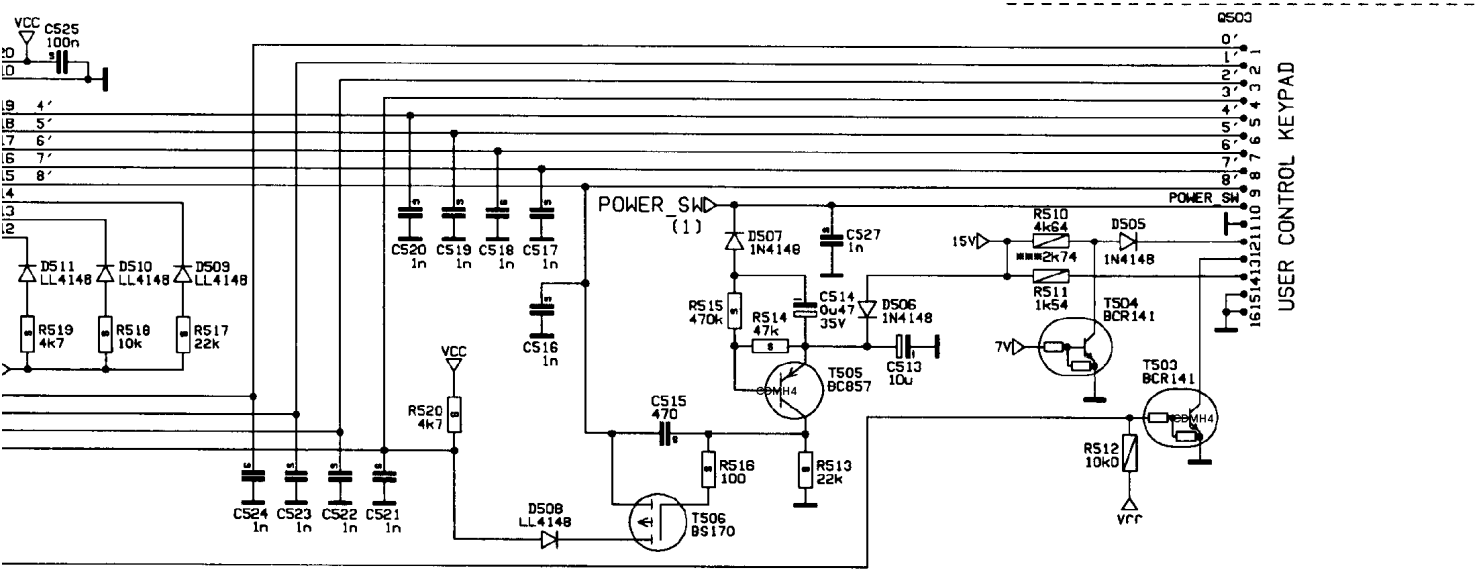
SMA160F 169F
SMA173F 174F
 .96



	CERAMIC	POLYPROPYLENE	POLYESTHER POLYCARBONATE
	• • ≤ 63 V	• • ≤ 63 V	• • ≤ 63 V
	• • ≤ 160 V	• • ≤ 160 V	• • ≤ 160 V
	• • ≤ 250 V	• • ≤ 250 V	• • ≤ 250 V
	• • ≤ 500 V	• • ≤ 500 V	• • ≤ 400 V
	• • ≤ 1,5 kV	• • ≤ 1,5 kV	• • ≤ 1,5 kV



ONLY WITH SMZ035 (DDC2AB)



HERE = 447P SMA167/SMA177
HERE = NOT USED WITH SMZ035 (DDC2AB)