

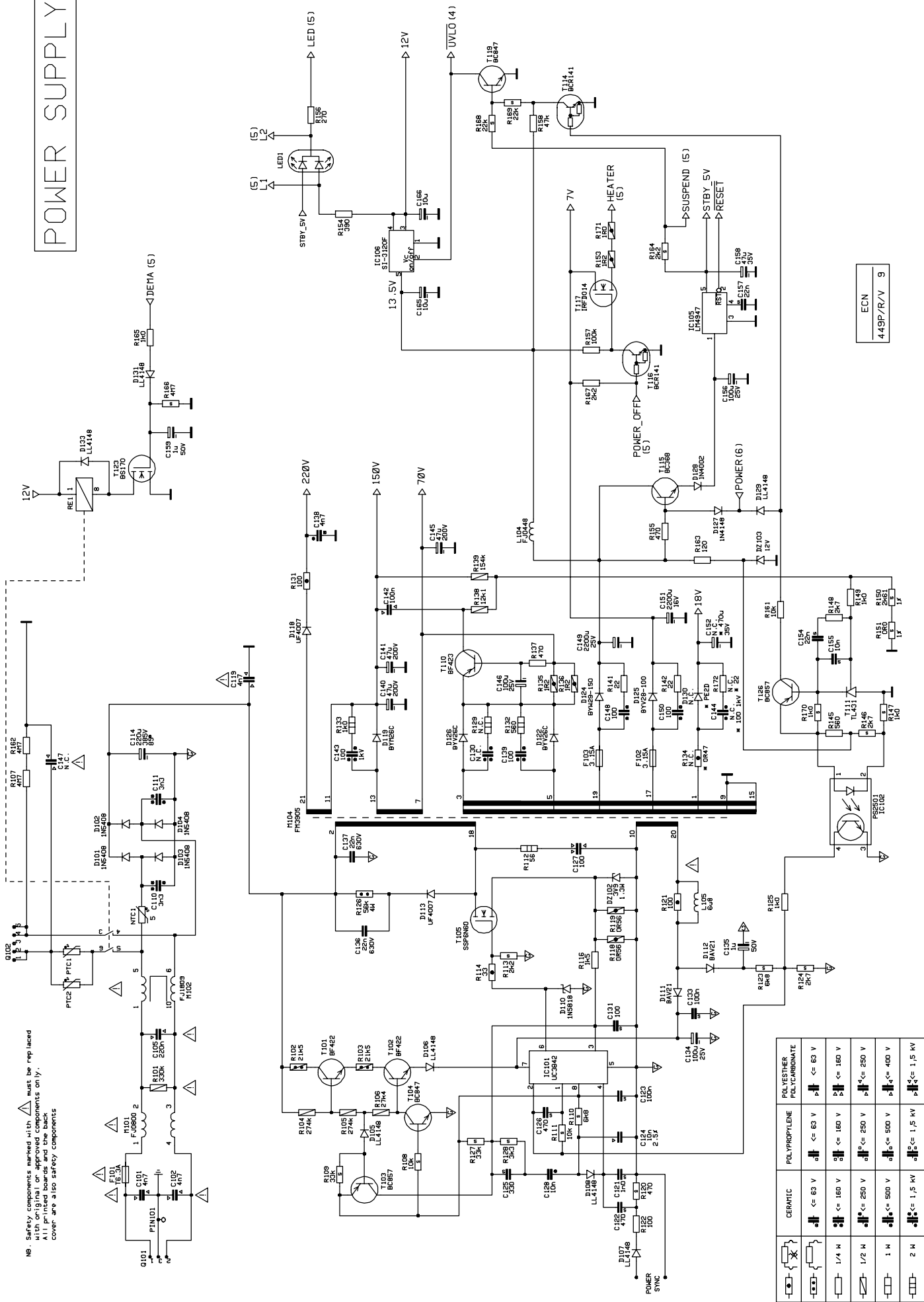


Part Number	Description	PG	Item Number
AG3425	MF RES 0W5 1K78 F	01	R 273
AG3433	MF RES 0W5 2K15 F	01	R 348 398 439 459
AG3451	MF RES 0W5 3K32 F	01	R 270 271
AG3501	MF RES 0W5 10K0 F	01	R 518
AG3509	MF RES 0W5 12K1 F	03	R 138 343
AG3533	MF RES 0W5 21K5 F	01	R 102 103
AG3543	MF RES 0W5 27K4 F	01	R 106 308
AG3557	MF RES 0W5 38K3 F	01	R 431 434
AG3565	MF RES 0W5 46K4 F	01	R 307
AG3601	MF RES 0W5 100K F	01	R 323 405
AG3619	MF RES 0W5 154K F	01	R 139
AG3643	MF RES 0W5 274K F	01	R 104 105
AG3657	MF RES 0W5 383K F	01	R 412
AJ2523	MO RES 2W0 10R J	02	R 422
AJ2603	MO RES 2W0 22R J	02	R 420 429
AJ2763	MO RES 2W0 100R J	02	R 426
AJ2703	MO RES 2W0 56R J	02	R 112 417
AJ2923	MO RES 2W0 470R J	02	R 458 440
AJ2943	MO RES 2W0 560R J	02	R 132
AJ3003	MO RES 2W0 1K0 J	02	R 133
AJ3425	MO RES 4W0 56K J	03	R 126
AQ2215	TPMET.AA H10 2K2	03	RT 402
AQ2216	TPMET.AA H10 4K7	03	RT 403
AQ2219	TPMET.AA H10 47K	03	RT 301 401
AW0079	PTC-THERMISTOR 18R/25°C RM5	07	PTC 1 2
AW0111	NTC-THERMISTOR 5R0/25°C RM5+2,5	07	NTC 1
CA0322	CERCAP Y5P 2N2 K 1KV	02	C 318
CA0324	CERCAP Y5P 100P K 1KV	02	C 139 143 148 150
CA0423	ELCAP 47U 50V		C 610
CA0453	CERCAP X6V 4N7 M 500V	02	C 138
CB3129	CHIPCERCAP NP0 15P 50V J	03	C 517 518
CB3133	CHIPCERCAP NP0 22P 50V J	01	C 339
CB3145	CHIPCERCAP NP0 68P 50V J	01	C 302
CB3151	CHIPCERCAP NP0 100P 50V J	01	C 131 301 303 313 406
CB3155	CHIPCERCAP NP0 150P 50V J	01	C 407
CB3159	CHIPCERCAP NP0 220P 50V J	01	C 403 217
CB3163	CHIPCERCAP NP0 330P 50V J	01	C 314 125
CB3167	CHIPCERCAP NP0 470P 50V J	02	C 122 126 202
CB3171	CHIPCERCAP NP0 680P 50V J	01	C 212
CB3175	CHIPCERCAP NP0 1N0 50V J	03	C 525 121
CC3240	CHIPCERCAP X7R 2N2 10% 50V	01	C 308
CC0110	CERCAP Y5P 150P K 500V	01	C 439
CC0130	CERCAP Y5P 220P K 500V	01	C 418 419 442 334 416
CC0240	CERCAP Y5P 2N2 K 500V	01	C 420
CC0284	CERCAP Y5P 4N7 K 50V	01	C 337
CC0530	CERCAP Z5U 4N7 S 500V	01	C 417
CC0513	CERCAP Y5V 3N3 S 1KV	02	C 110 111
CC0772	CERCAP Z5V 10N Z 50V	01	C 128
CC3320	CHIPCERCAP X7R 10N 10% 50V	01	C 204 205 214 219 220 221 222 223 224 304 340 404
			512 234 155
CC3360	CHIPCERCAP X7R 22N 10% 50V	01	C 154 157
CC4380	CHIPCAP X7R 33N K 50V	02	C 209 216 227 402 432 433 434 435 527
CC4400	CHIPCAP X7R 47N K 50V	02	C 210 211 123 133 316
CC4440	CHIPCAP 100N 1206		C 530
CE0083	X2-CAP 220N M 275VAC	08	C 105
CE0127	*NEW* 4N7 M 400VAC	04	C 101 102 119
CE0522	PCACAP MKC 100N J 63V	04	C 319
CE2004	IMPCAP 100P K 1K6V	03	C 127
CE2154	IMPCAP 1N5 K 1K5V	04	C 307
CE2286	IMPCAP 4N7 J 2KV	08	C 413
CE2850	IMPCAP 68N J 250V	04	C 415 426
CE2931	IMPCAP 100N J 250V	04	C 411
CE2960	IMPCAP 150N J 250V	04	C 427
CE3060	IMPCAP 330N J 250V	04	C 428
CE3080	IMPCAP 390N J 250V	04	C 421
CE3170	IMPCAP 800N J 160V	04	C 429
CG2665	PPRCAP KP 4N7 J 63V	04	C 438
CG2717	PPRCAP KP 10N H 63V	03	C 124
CK0165	PESCAP MKT 22N K 630V	02	C 136 137
CK0221	PESCAP MKT 47N J 250V	02	C 408
CK0284	PESCAP MKT 100N K 250V	02	C 142
CK1388	PESCAP MKT 10N K 250V	02	C 305
CK2464	PESCAP MKT 22N K 63V	02	C 206
CK2544	PESCAP MKT 47N K 63V	02	C 312 323
CK2626	PESCAP MKT 100N K 63V	02	C 336 410
CK2663	PESCAP MKT 150N J 63V	03	C 225
CK2664	PESCAP MKT 150N K 63V	02	C 233
CK2704	PESCAP MKT 220N K 63V	03	C 310
CK2784	PESCAP MKT 470N K 63V	03	C 228
CN0088	ELCAP 220U M 385V	18	C 114
CN2553	ELCAP 0U47F M 50V	01	C 213 309
CN2017	ELCAP 1U0 M 50V	02	C 135 159 335
CN0204	ELCAP 2U2 M 50V	01	C 201 235 430 504 505 506 507 508 509 510 511 513
			519 520 521 522 524 528 317 523
CN0258	ELCAP 4U7 M 50V	01	C 203
CN2032	ELCAP 10U M 50V	01	C 165 166 311 405 514 516 526
CN0423	ELCAP 47U M 50V	02	C 208 226
CN2228	ELCAP 4U7 M 200V	05	C 440
CN2435	ELCAP 47U M 35V	02	C 158
CN3249	ELCAP, 47U M 200V	09	C 140 141
CN2546	ELCAP 100UF M 100V	05	C 145



Part Number	Description	PG	Item Number																	
QK1587	COOLING & SUPP.PART FOR RESISTOR	01	R	126	458															
QM0294	SIGNAL CABLE VGA-45 449V/R	23																		
QM1719	CONNECTOR 2X8 POS 1,27MM		Q	502																
QM1013	PICOFLEX ASSY BI-IDC 10-POS 400MM	10	Q	501																
QM1026	PICOFLEX ASSY 450MM																			
QT0003	SPARK GAP 1,5KV +-500V R=5,0MM	03	GL	302																
QT0102	FUSEHOLDER CLIPS 5*20MM R=5,0MM	01	F	101																
QT0207	GLIMM LAMP 95V 6*12,5MM	04	GL	301																
QT0733	FUSE R=5,0MM T 3,15A 250V IEC127	04	F	102	103															
QT0775	FUSE 5*20MM T 6,3A 250V 1500A	03	F	101																
SE1410	WIRE L=60MM																			
SE2404	GROUNDING WIRE L=80MM 44BQ	06	PIN	302																
SE2610	DYN. FOCUSJOHTO 449M	06	PIN	301	402															
UC0859	FASTENING SPRING FOR THYRISTOR DN4	02	D	124	105 303 304 405 419 105 106															
UC6877	J_HDYTYSLEVY/COOLING PLATE 449R	01	D	124	119 126 303 304 405															
UC1142	COOLINGPLATE DN45204	03	T	105	106															
UC1371	COOLINGPLATE DN45940 14" ACM MON	03	IC	105																
UC1371	COOLINGPLATE DN45940 14" ACM MON	03	TA	419																
UC6551	FASTENING SPRING 44BQ	03	D	410																
UC6552	FASTENING SPRING 44BQ	03	IC	203	407															
UC6564	COOLING PLATE 449A DN303153	05	IC	203																
UC6752	MOUNTING PLATE 447E	01																		
UC6776	H_IRITSUOJA 44BS	19																		
UC6801	VEDONPOISTAJA 447E	09																		
UC6858	J_HDYTYSLEVY/COOLING PLATE	05	D	410	407															
UC6876	TUKI/SUPPORT 449R01	01																		
UG0770	WIRE SUPPORT	03																		
UG1008	CHOCK / KIILA PN30169																			
WC0036	HEXAGONHEADTA01PPING SCREW COLLAR	03																		
WC0446	HEXAGONHEAD -BLUNT 2,9X8 FE/ZN	01																		
XW0032	DOW CORNING 340 SILICON GREASY 100	09	D	410	106 203 105 407															

# POWER SUPPLY



NB: Safety components marked with  $\Delta$  must be replaced with original or approved components only. If the original components are not available, cover data also safety components

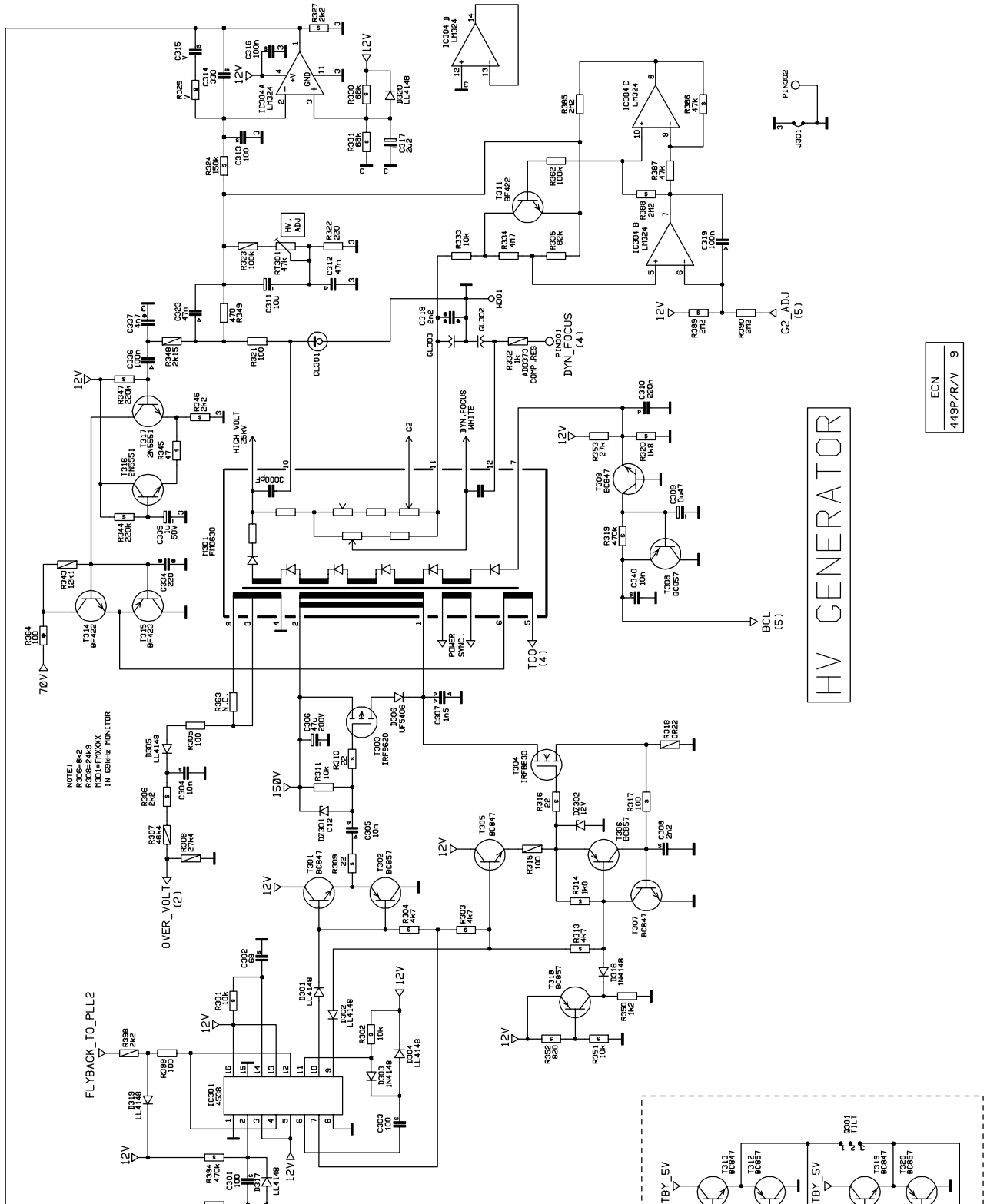
ECN 449P/R/V 9

**SMA188D/189D**  
**D3103D** 11.96 Page 5

	POLYPROPYLENE	POLYESTHER	POLYCARBONATE
	$\Delta$ < 63 V	$\Delta$ < 63 V	$\Delta$ < 63 V
	$\Delta$ < 160 V	$\Delta$ < 160 V	$\Delta$ < 180 V
	$\Delta$ < 250 V	$\Delta$ < 250 V	$\Delta$ < 250 V
	$\Delta$ < 500 V	$\Delta$ < 500 V	$\Delta$ < 400 V
	$\Delta$ < 1.5 kV	$\Delta$ < 1.5 kV	$\Delta$ < 1.5 kV
	$\Delta$ < 1.5 kV	$\Delta$ < 1.5 kV	$\Delta$ < 1.5 kV



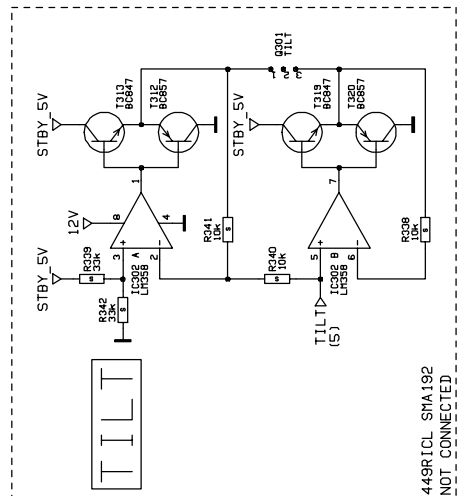
	CERAMIC	POLYPROPYLENE	POLYESTER POLYCARBONATE

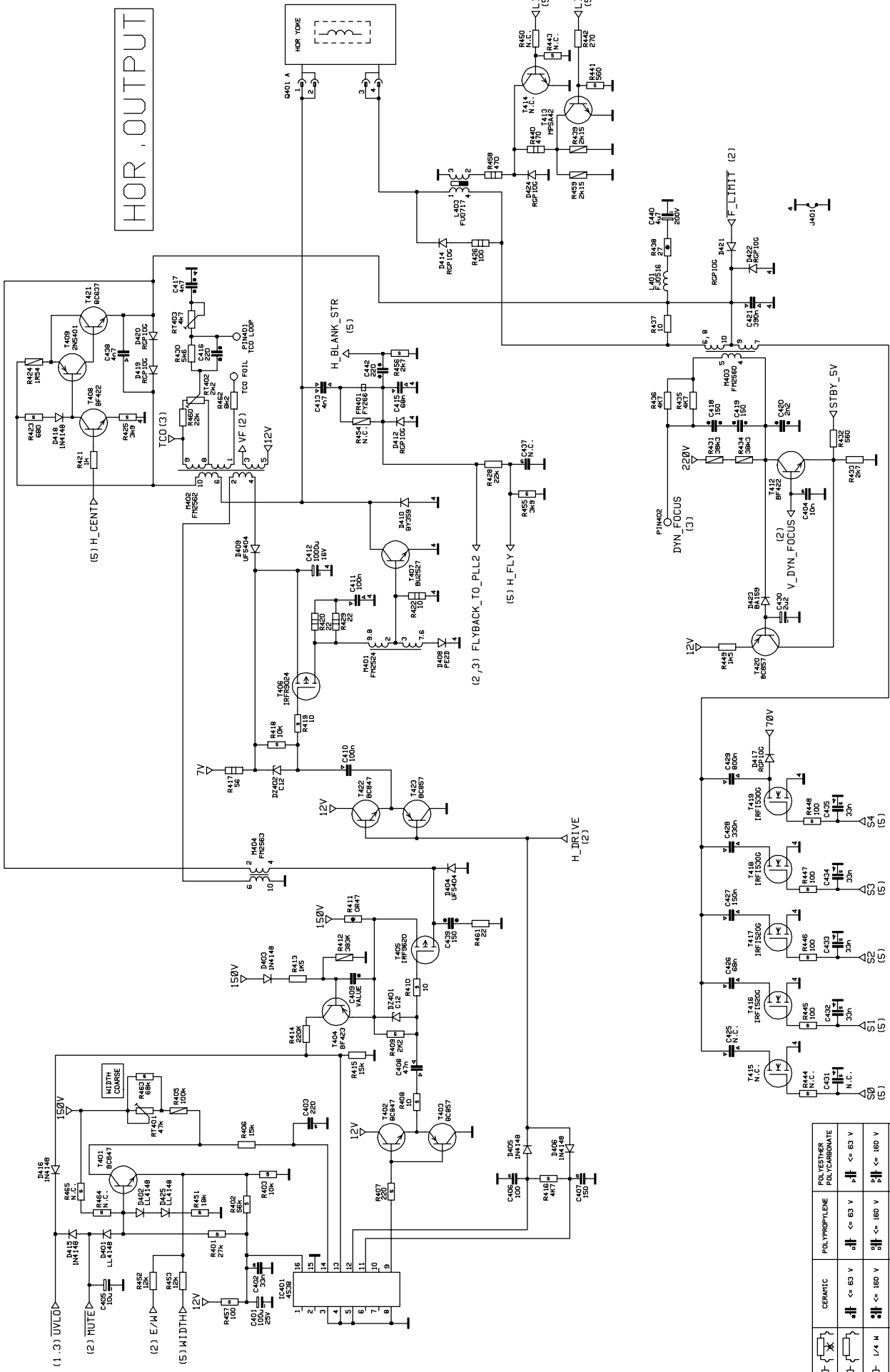


NOTE 1  
R306=8K2  
R308=2K43  
R309=10K  
R310=10K  
R311=10K  
R312=10K  
R313=10K  
R314=10K  
R315=10K  
R316=10K  
R317=10K  
R318=10K  
R319=10K  
R320=10K  
R321=10K  
R322=10K  
R323=10K  
R324=10K  
R325=10K  
R326=10K  
R327=10K  
R328=10K  
R329=10K  
R330=10K  
R331=10K  
R332=10K  
R333=10K  
R334=10K  
R335=10K  
R336=10K  
R337=10K  
R338=10K  
R339=10K  
R340=10K  
R341=10K  
R342=10K  
R343=10K  
R344=10K  
R345=10K  
R346=10K  
R347=10K  
R348=10K  
R349=10K  
R350=10K  
R351=10K  
R352=10K  
R353=10K  
R354=10K  
R355=10K  
R356=10K  
R357=10K  
R358=10K  
R359=10K  
R360=10K  
R361=10K  
R362=10K  
R363=10K  
R364=10K  
R365=10K  
R366=10K  
R367=10K  
R368=10K  
R369=10K  
R370=10K  
R371=10K  
R372=10K  
R373=10K  
R374=10K  
R375=10K  
R376=10K  
R377=10K  
R378=10K  
R379=10K  
R380=10K  
R381=10K  
R382=10K  
R383=10K  
R384=10K  
R385=10K  
R386=10K  
R387=10K  
R388=10K  
R389=10K  
R390=10K  
R391=10K  
R392=10K  
R393=10K  
R394=10K  
R395=10K  
R396=10K  
R397=10K  
R398=10K  
R399=10K  
R400=10K  
R401=10K  
R402=10K  
R403=10K  
R404=10K  
R405=10K  
R406=10K  
R407=10K  
R408=10K  
R409=10K  
R410=10K  
R411=10K  
R412=10K  
R413=10K  
R414=10K  
R415=10K  
R416=10K  
R417=10K  
R418=10K  
R419=10K  
R420=10K  
R421=10K  
R422=10K  
R423=10K  
R424=10K  
R425=10K  
R426=10K  
R427=10K  
R428=10K  
R429=10K  
R430=10K  
R431=10K  
R432=10K  
R433=10K  
R434=10K  
R435=10K  
R436=10K  
R437=10K  
R438=10K  
R439=10K  
R440=10K  
R441=10K  
R442=10K  
R443=10K  
R444=10K  
R445=10K  
R446=10K  
R447=10K  
R448=10K  
R449=10K  
R450=10K  
R451=10K  
R452=10K  
R453=10K  
R454=10K  
R455=10K  
R456=10K  
R457=10K  
R458=10K  
R459=10K  
R460=10K  
R461=10K  
R462=10K  
R463=10K  
R464=10K  
R465=10K  
R466=10K  
R467=10K  
R468=10K  
R469=10K  
R470=10K  
R471=10K  
R472=10K  
R473=10K  
R474=10K  
R475=10K  
R476=10K  
R477=10K  
R478=10K  
R479=10K  
R480=10K  
R481=10K  
R482=10K  
R483=10K  
R484=10K  
R485=10K  
R486=10K  
R487=10K  
R488=10K  
R489=10K  
R490=10K  
R491=10K  
R492=10K  
R493=10K  
R494=10K  
R495=10K  
R496=10K  
R497=10K  
R498=10K  
R499=10K  
R500=10K  
R501=10K  
R502=10K  
R503=10K  
R504=10K  
R505=10K  
R506=10K  
R507=10K  
R508=10K  
R509=10K  
R510=10K  
R511=10K  
R512=10K  
R513=10K  
R514=10K  
R515=10K  
R516=10K  
R517=10K  
R518=10K  
R519=10K  
R520=10K  
R521=10K  
R522=10K  
R523=10K  
R524=10K  
R525=10K  
R526=10K  
R527=10K  
R528=10K  
R529=10K  
R530=10K  
R531=10K  
R532=10K  
R533=10K  
R534=10K  
R535=10K  
R536=10K  
R537=10K  
R538=10K  
R539=10K  
R540=10K  
R541=10K  
R542=10K  
R543=10K  
R544=10K  
R545=10K  
R546=10K  
R547=10K  
R548=10K  
R549=10K  
R550=10K  
R551=10K  
R552=10K  
R553=10K  
R554=10K  
R555=10K  
R556=10K  
R557=10K  
R558=10K  
R559=10K  
R560=10K  
R561=10K  
R562=10K  
R563=10K  
R564=10K  
R565=10K  
R566=10K  
R567=10K  
R568=10K  
R569=10K  
R570=10K  
R571=10K  
R572=10K  
R573=10K  
R574=10K  
R575=10K  
R576=10K  
R577=10K  
R578=10K  
R579=10K  
R580=10K  
R581=10K  
R582=10K  
R583=10K  
R584=10K  
R585=10K  
R586=10K  
R587=10K  
R588=10K  
R589=10K  
R590=10K  
R591=10K  
R592=10K  
R593=10K  
R594=10K  
R595=10K  
R596=10K  
R597=10K  
R598=10K  
R599=10K  
R600=10K  
R601=10K  
R602=10K  
R603=10K  
R604=10K  
R605=10K  
R606=10K  
R607=10K  
R608=10K  
R609=10K  
R610=10K  
R611=10K  
R612=10K  
R613=10K  
R614=10K  
R615=10K  
R616=10K  
R617=10K  
R618=10K  
R619=10K  
R620=10K  
R621=10K  
R622=10K  
R623=10K  
R624=10K  
R625=10K  
R626=10K  
R627=10K  
R628=10K  
R629=10K  
R630=10K  
R631=10K  
R632=10K  
R633=10K  
R634=10K  
R635=10K  
R636=10K  
R637=10K  
R638=10K  
R639=10K  
R640=10K  
R641=10K  
R642=10K  
R643=10K  
R644=10K  
R645=10K  
R646=10K  
R647=10K  
R648=10K  
R649=10K  
R650=10K  
R651=10K  
R652=10K  
R653=10K  
R654=10K  
R655=10K  
R656=10K  
R657=10K  
R658=10K  
R659=10K  
R660=10K  
R661=10K  
R662=10K  
R663=10K  
R664=10K  
R665=10K  
R666=10K  
R667=10K  
R668=10K  
R669=10K  
R670=10K  
R671=10K  
R672=10K  
R673=10K  
R674=10K  
R675=10K  
R676=10K  
R677=10K  
R678=10K  
R679=10K  
R680=10K  
R681=10K  
R682=10K  
R683=10K  
R684=10K  
R685=10K  
R686=10K  
R687=10K  
R688=10K  
R689=10K  
R690=10K  
R691=10K  
R692=10K  
R693=10K  
R694=10K  
R695=10K  
R696=10K  
R697=10K  
R698=10K  
R699=10K  
R700=10K  
R701=10K  
R702=10K  
R703=10K  
R704=10K  
R705=10K  
R706=10K  
R707=10K  
R708=10K  
R709=10K  
R710=10K  
R711=10K  
R712=10K  
R713=10K  
R714=10K  
R715=10K  
R716=10K  
R717=10K  
R718=10K  
R719=10K  
R720=10K  
R721=10K  
R722=10K  
R723=10K  
R724=10K  
R725=10K  
R726=10K  
R727=10K  
R728=10K  
R729=10K  
R730=10K  
R731=10K  
R732=10K  
R733=10K  
R734=10K  
R735=10K  
R736=10K  
R737=10K  
R738=10K  
R739=10K  
R740=10K  
R741=10K  
R742=10K  
R743=10K  
R744=10K  
R745=10K  
R746=10K  
R747=10K  
R748=10K  
R749=10K  
R750=10K  
R751=10K  
R752=10K  
R753=10K  
R754=10K  
R755=10K  
R756=10K  
R757=10K  
R758=10K  
R759=10K  
R760=10K  
R761=10K  
R762=10K  
R763=10K  
R764=10K  
R765=10K  
R766=10K  
R767=10K  
R768=10K  
R769=10K  
R770=10K  
R771=10K  
R772=10K  
R773=10K  
R774=10K  
R775=10K  
R776=10K  
R777=10K  
R778=10K  
R779=10K  
R780=10K  
R781=10K  
R782=10K  
R783=10K  
R784=10K  
R785=10K  
R786=10K  
R787=10K  
R788=10K  
R789=10K  
R790=10K  
R791=10K  
R792=10K  
R793=10K  
R794=10K  
R795=10K  
R796=10K  
R797=10K  
R798=10K  
R799=10K  
R800=10K  
R801=10K  
R802=10K  
R803=10K  
R804=10K  
R805=10K  
R806=10K  
R807=10K  
R808=10K  
R809=10K  
R810=10K  
R811=10K  
R812=10K  
R813=10K  
R814=10K  
R815=10K  
R816=10K  
R817=10K  
R818=10K  
R819=10K  
R820=10K  
R821=10K  
R822=10K  
R823=10K  
R824=10K  
R825=10K  
R826=10K  
R827=10K  
R828=10K  
R829=10K  
R830=10K  
R831=10K  
R832=10K  
R833=10K  
R834=10K  
R835=10K  
R836=10K  
R837=10K  
R838=10K  
R839=10K  
R840=10K  
R841=10K  
R842=10K  
R843=10K  
R844=10K  
R845=10K  
R846=10K  
R847=10K  
R848=10K  
R849=10K  
R850=10K  
R851=10K  
R852=10K  
R853=10K  
R854=10K  
R855=10K  
R856=10K  
R857=10K  
R858=10K  
R859=10K  
R860=10K  
R861=10K  
R862=10K  
R863=10K  
R864=10K  
R865=10K  
R866=10K  
R867=10K  
R868=10K  
R869=10K  
R870=10K  
R871=10K  
R872=10K  
R873=10K  
R874=10K  
R875=10K  
R876=10K  
R877=10K  
R878=10K  
R879=10K  
R880=10K  
R881=10K  
R882=10K  
R883=10K  
R884=10K  
R885=10K  
R886=10K  
R887=10K  
R888=10K  
R889=10K  
R890=10K  
R891=10K  
R892=10K  
R893=10K  
R894=10K  
R895=10K  
R896=10K  
R897=10K  
R898=10K  
R899=10K  
R900=10K  
R901=10K  
R902=10K  
R903=10K  
R904=10K  
R905=10K  
R906=10K  
R907=10K  
R908=10K  
R909=10K  
R910=10K  
R911=10K  
R912=10K  
R913=10K  
R914=10K  
R915=10K  
R916=10K  
R917=10K  
R918=10K  
R919=10K  
R920=10K  
R921=10K  
R922=10K  
R923=10K  
R924=10K  
R925=10K  
R926=10K  
R927=10K  
R928=10K  
R929=10K  
R930=10K  
R931=10K  
R932=10K  
R933=10K  
R934=10K  
R935=10K  
R936=10K  
R937=10K  
R938=10K  
R939=10K  
R940=10K  
R941=10K  
R942=10K  
R943=10K  
R944=10K  
R945=10K  
R946=10K  
R947=10K  
R948=10K  
R949=10K  
R950=10K  
R951=10K  
R952=10K  
R953=10K  
R954=10K  
R955=10K  
R956=10K  
R957=10K  
R958=10K  
R959=10K  
R960=10K  
R961=10K  
R962=10K  
R963=10K  
R964=10K  
R965=10K  
R966=10K  
R967=10K  
R968=10K  
R969=10K  
R970=10K  
R971=10K  
R972=10K  
R973=10K  
R974=10K  
R975=10K  
R976=10K  
R977=10K  
R978=10K  
R979=10K  
R980=10K  
R981=10K  
R982=10K  
R983=10K  
R984=10K  
R985=10K  
R986=10K  
R987=10K  
R988=10K  
R989=10K  
R990=10K  
R991=10K  
R992=10K  
R993=10K  
R994=10K  
R995=10K  
R996=10K  
R997=10K  
R998=10K  
R999=10K  
R1000=10K

# HV GENERATOR

ECN 449P/R/V 9



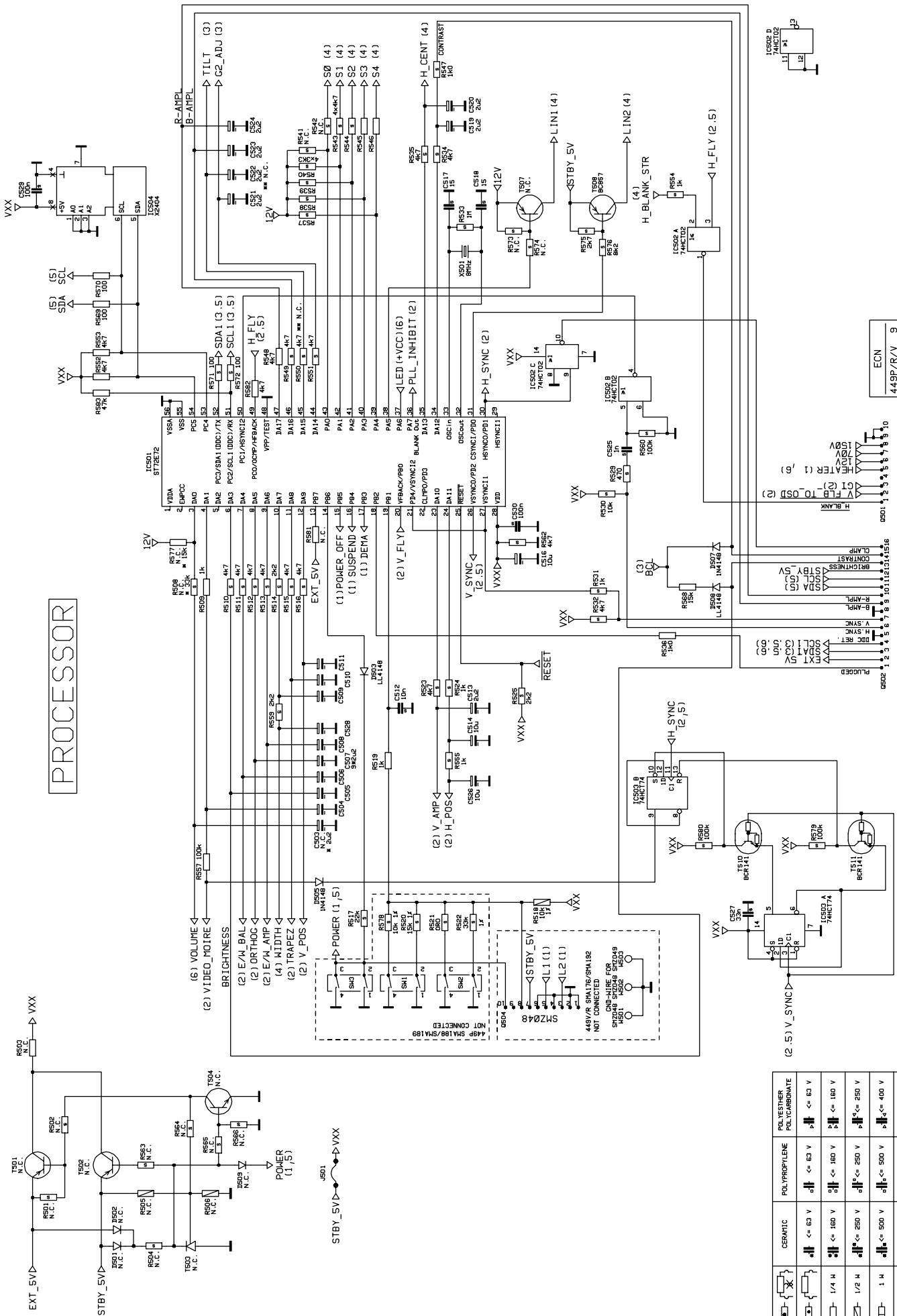


ECN  
449P/R/V 9

Symbol	Material	Value	Capacitance	Power
	CERAMIC	<math>\leq 63\text{ V}</math>	<math>\leq 63\text{ V}</math>	
	POLYPROPYLENE	<math>\leq 160\text{ V}</math>	<math>\leq 160\text{ V}</math>	
	POLYESTHER	<math>\leq 250\text{ V}</math>	<math>\leq 250\text{ V}</math>	
	POLYESTHER	<math>\leq 500\text{ V}</math>	<math>\leq 500\text{ V}</math>	
	POLYESTHER	<math>\leq 1.5\text{ kW}</math>	<math>\leq 1.5\text{ kW}</math>	



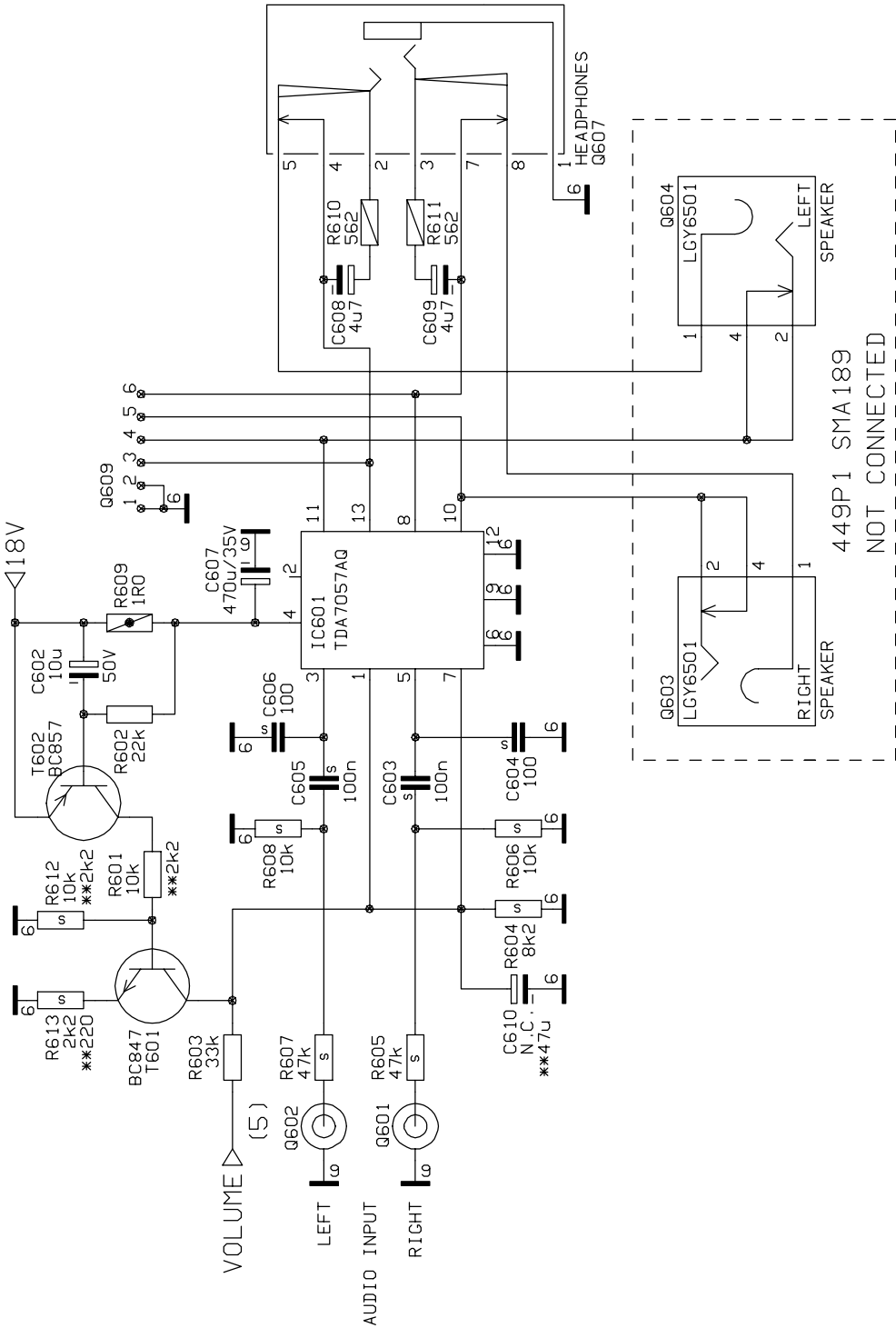
# PROCESSOR



Component	Material	Power Rating	Voltage
1	CERAMIC	POLYPROPYLENE	< 63 V
2	CERAMIC	POLYPROPYLENE	< 63 V
3	CERAMIC	POLYPROPYLENE	< 160 V
4	CERAMIC	POLYPROPYLENE	< 250 V
5	CERAMIC	POLYPROPYLENE	< 500 V
6	CERAMIC	POLYPROPYLENE	< 1.5 MW

**SMA188D/189D**  
**D3103D** 11.96 Page 9

ECN  
 449P/R/V 9



	CERAMIC	POLYPROPYLENE	POLYESTHER POLYCARBONATE
	≤ 63 V	≤ 63 V	≤ 63 V
	≤ 160 V	≤ 160 V	≤ 160 V
	≤ 250 V	≤ 250 V	≤ 250 V
	≤ 500 V	≤ 500 V	≤ 400 V
	≤ 1.5 kV	≤ 1.5 kV	≤ 1.5 kV

449R/V SMA176  
 NOT CONNECTED

ECN
449P/R/V 9

