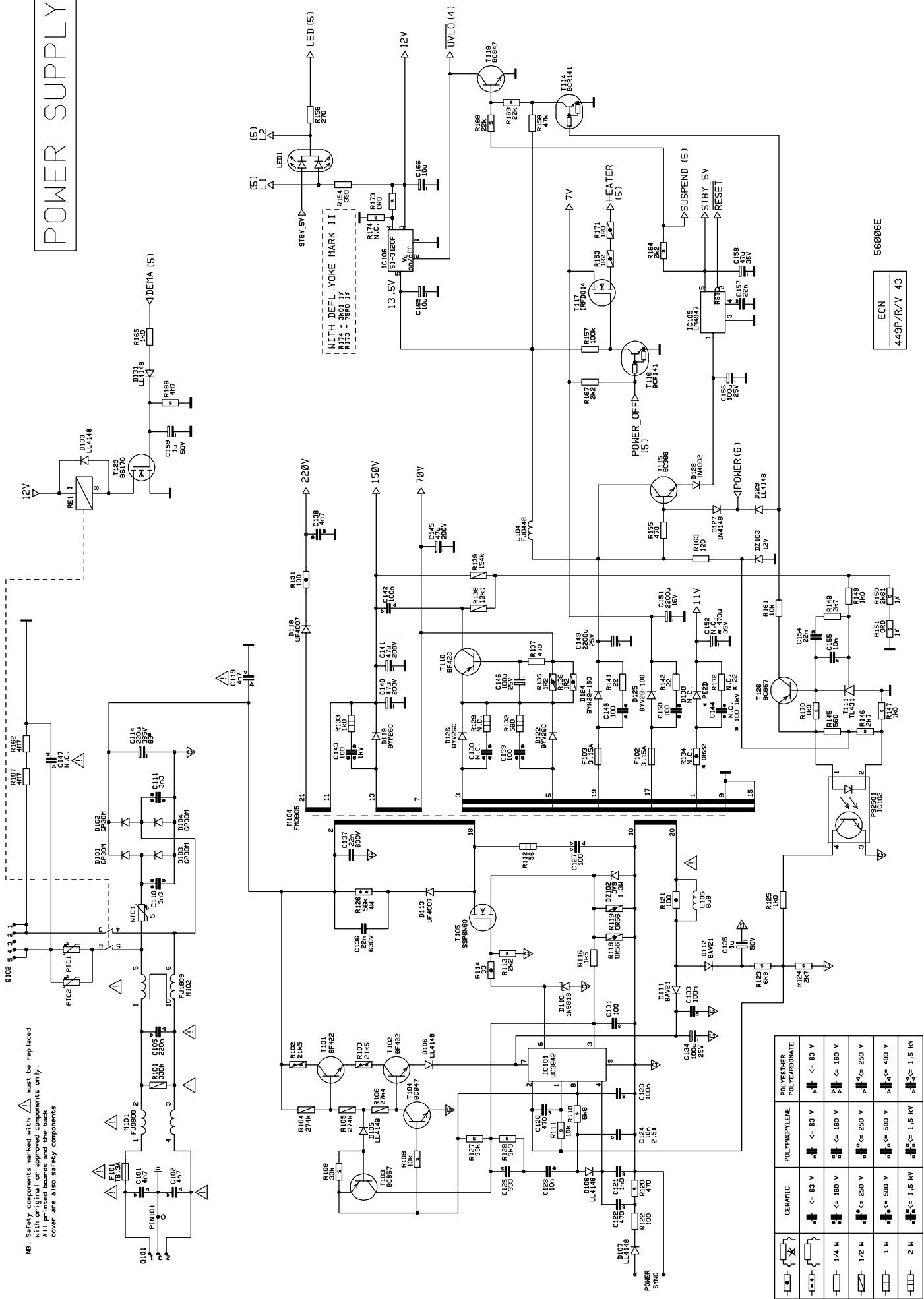


Part Number	Description	PG	Item Number																						
AG3433	MF RES 0W5 2K15 F	01	R	348	398	439	459																		
AG3451	MF RES 0W5 3K32 F	01	R	270	271																				
AG3501	MF RES 0W5 10K0 F	01	R	518																					
AG3509	MF RES 0W5 12K1 F	03	R	138	343																				
AG3533	MF RES 0W5 21K5 F	01	R	102	103																				
AG3543	MF RES 0W5 27K4 F	01	R	106	308																				
AG3557	MF RES 0W5 38K3 F	01	R	431	434																				
AG3565	MF RES 0W5 46K4 F	01	R	307																					
AG3601	MF RES 0W5 100K F	01	R	405	323																				
AG3619	MF RES 0W5 154K F	01	R	139																					
AG3643	MF RES 0W5 274K F	01	R	104	105																				
AG3657	MF RES 0W5 383K F	01	R	412																					
AJ2523	MO RES 2W0 10R J	02	R	422																					
AJ2603	MO RES 2W0 22R J	02	R	420	429																				
AJ2763	MO RES 2W0 100R J	02	R	426																					
AJ2703	MO RES 2W0 56R J	02	R	112	417																				
AJ2923	MO RES 2W0 470R J	02	R	458	440																				
AJ2943	MO RES 2W0 560R J	02	R	132																					
AJ3003	MO RES 2W0 1K0 J	02	R	133																					
AJ3425	MO RES 4W0 56K J	03	R	126																					
AQ2215	TPMET.AA H10 2K2	03	RT	402																					
AQ2216	TPMET.AA H10 4K7	03	RT	403																					
AQ2219	TPMET.AA H10 47K	03	RT	301	401																				
AW0079	PTC-THERMISTOR 18R/25°C RM5	07	PTC	1	2																				
AW0111	NTC-THERMISTOR 5R0/25°C RM5+2,5	07	NTC	1																					
CA0322	CERCAP Y5P 2N2 K 1KV	02	C	318																					
CA0324	CERCAP Y5P 100P K 1KV	02	C	139	143	148	150																		
CA0530	CERCAP Z5U 4N7 S 500V		C	138																					
CB3129	CHIPCERCAP NP0 15P 50V J	03	C	517	518																				
CB3133	CHIPCERCAP NP0 22P 50V J	01	C	339																					
CB3145	CHIPCERCAP NP0 68P 50V J	01	C	302																					
CB3151	CHIPCERCAP NP0 100P 50V J	01	C	131	301	303	313	406																	
CB3155	CHIPCERCAP NP0 150P 50V J	01	C	407																					
CB3159	CHIPCERCAP NP0 220P 50V J	01	C	403	217																				
CB3163	CHIPCERCAP NP0 330P 50V J	01	C	314	125																				
CB3167	CHIPCERCAP NP0 470P 50V J	02	C	122	126	202																			
CB3171	CHIPCERCAP NP0 680P 50V J	01	C	212																					
CB3175	CHIPCERCAP NP0 1N0 50V J	03	C	121	525																				
CC3240	CHIPCERCAP X7R 2N2 10% 50V	01	C	308																					
CC0110	CERCAP Y5P 150P K 500V	01	C	418	419	439																			
CC0130	CERCAP Y5P 220P K 500V	01	C	334	442	416																			
CC0240	CERCAP Y5P 2N2 K 500V	01	C	420																					
CC0284	CERCAP Y5P 4N7 K 50V	01	C	337																					
CC0530	CERCAP Z5U 4N7 S 500V	01	C	417																					
CC0513	CERCAP Y5V 3N3 S 1KV	02	C	110	111																				
CC0772	CERCAP Z5V 10N Z 50V	01	C	128																					
CC3320	CHIPCERCAP X7R 10N 10% 50V	01	C	204	205	214	219	220	221	222	223	224	304	340	404										
CC3320	CHIPCERCAP X7R 10N 10% 50V	01	C	512	234	155																			
CC3360	CHIPCERCAP X7R 22N 10% 50V	01	C	154	157																				
CC4380	CHIPCAP X7R 33N K 50V	02	C	209	216	227	402	432	433	434	435	527													
CC4400	CHIPCAP X7R 47N K 50V	02	C	210	211	123	133	316																	
CC4440	CHIPCAP 100N		C	530																					
CE0083	X2-CAP 220N M 275VAC	08	C	105																					
CE0127	*NEW* 4N7 M 400VAC	04	C	101	102	119																			
CE0522	PCACAP MKC 100N J 63V	04	C	319																					
CE2004	IMPCAP 100P K 1K6V	03	C	127																					
CE2154	IMPCAP 1N5 K 1K5V	04	C	307																					
CE2286	IMPCAP 4N7 J 2KV	08	C	413																					
CE2850	IMPCAP 68N J 250V	04	C	415	426																				
CE2931	IMPCAP 100N J 250V	04	C	411																					
CE2960	IMPCAP 150N J 250V	04	C	427																					
CE3060	IMPCAP 330N J 250V	04	C	428																					
CE3080	IMPCAP 390N J 250V	04	C	421																					
CE3170	IMPCAP 800N J 160V	04	C	429																					
CG2665	PPRCAP KP 4N7 J 63V	04	C	438																					
CG2717	PPRCAP KP 10N H 63V	03	C	124																					
CK0165	PESCAP MKT 22N K 630V	02	C	136	137																				
CK0221	PESCAP MKT 47N J 250V	02	C	408																					
CK0284	PESCAP MKT 100N K 250V	02	C	142																					
CK1388	PESCAP MKT 10N K 250V	02	C	305																					
CK2464	PESCAP MKT 22N K 63V	02	C	206																					
CK2544	PESCAP MKT 47N K 63V	02	C	312	323	336																			
CK2626	PESCAP MKT 100N K 63V	02	C	410																					
CK2663	PESCAP MKT 150N J 63V	03	C	225																					
CK2664	PESCAP MKT 150N K 63V	02	C	233																					
CK2704	PESCAP MKT 220N K 63V	03	C	310																					
CK2784	PESCAP MKT 470N K 63V	03	C	228																					
CN0088	ELCAP 220U M 385V	18	C	114																					
CN2553	ELCAP 0U47F M 50V	01	C	213	309																				
CN2017	ELCAP 1U0 M 50V	02	C	135	159	335																			
CN0204	ELCAP 2U2 M 50V	01	C	201	235	430	504	505	506	507	508	509	510	511	513										
CN0204	ELCAP 2U2 M 50V	01	C	519	520	521	522	524	528	317	523														
CN0258	ELCAP 4U7 M 50V	01	C	203																					
CN2032	ELCAP 10U M 50V	01	C	165	166	311	405	514	516	526															
CN0423	ELCAP 47U M 50V	02	C	208	226																				
CN2228	ELCAP 4U7 M 200V	05	C	440																					
CN2435	ELCAP 47U M 35V	02	C	158																					
CN3249	ELCAP 47U M 200V	09	C	140	141																				
CN2546	ELCAP 100UF M 100V	05	C	145																					
CN2521	ELCAP 100U M 25V	02	C	134	146	215	401																		
CN2521	ELCAP 100U M 25V	02	C	401																					

Part Number	Description	PG	Item Number
QT0003	SPARK GAP 1,5KV +-500V R=5,0MM	03	GL 302
QT0102	FUSEHOLDER CLIPS 5*20MM R=5,0MM	01	F 101
QT0207	GLIMM LAMP 95V 6*12,5MM	04	GL 301
QT0733	FUSE R=5,0MM T 3,15A 250V IEC127	04	F 102 103
QT0775	FUSE 5*20MM T 6,3A 250V 1500A	03	F 101
SE2404	GROUNDING WIRE L=80MM 44BQ	06	PIN 302
SE2610	DYN. FOCUSJOHTO 449M	06	PIN 301 402
UC0859	FASTENING SPRING FOR THYRISTOR DN4	02	D 124 105 303 304 405 419 105 106
UC6877	J_HDYTYSLEVY/COOLING PLATE 449R	01	D 124 119 126 303 304 405 419
UC1142	COOLINGPLATE DN45204	03	T 105 106
UC1371	COOLINGPLATE DN45940 14" ACM MON	03	IC 105
UC6551	FASTENING SPRING 44BQ	03	D 410
UC6552	FASTENING SPRING 44BQ	03	IC 203 407
UC6564	COOLING PLATE 449A DN303153	05	IC 203
UC6752	MOUNTING PLATE 447E	01	
UC6776	INTERFERENCE SHIELD 44BS	19	
UC6801	STRAIN RELIEF 447E	09	
UC6858	J_HDYTYSLEVY/COOLING PLATE	05	D 410 407
UC6876	TUKI/SUPPORT 449R01	01	
UG0770	WIRE SUPPORT	03	
WC0036	HEXAGONHEADTA01PPING SCREW COLLAR	03	
WC0446	HEXAGONHEAD -BLUNT 2,9X8 FE/ZN	01	
XW0032	DOW CORNING 340 SILICON GREASY 100	09	D 410 106 203 105 407

POWER SUPPLY



NB: Safety components marked with \triangle must be replaced with original or approved components only. If the original components are not available, the cover plate also safety components

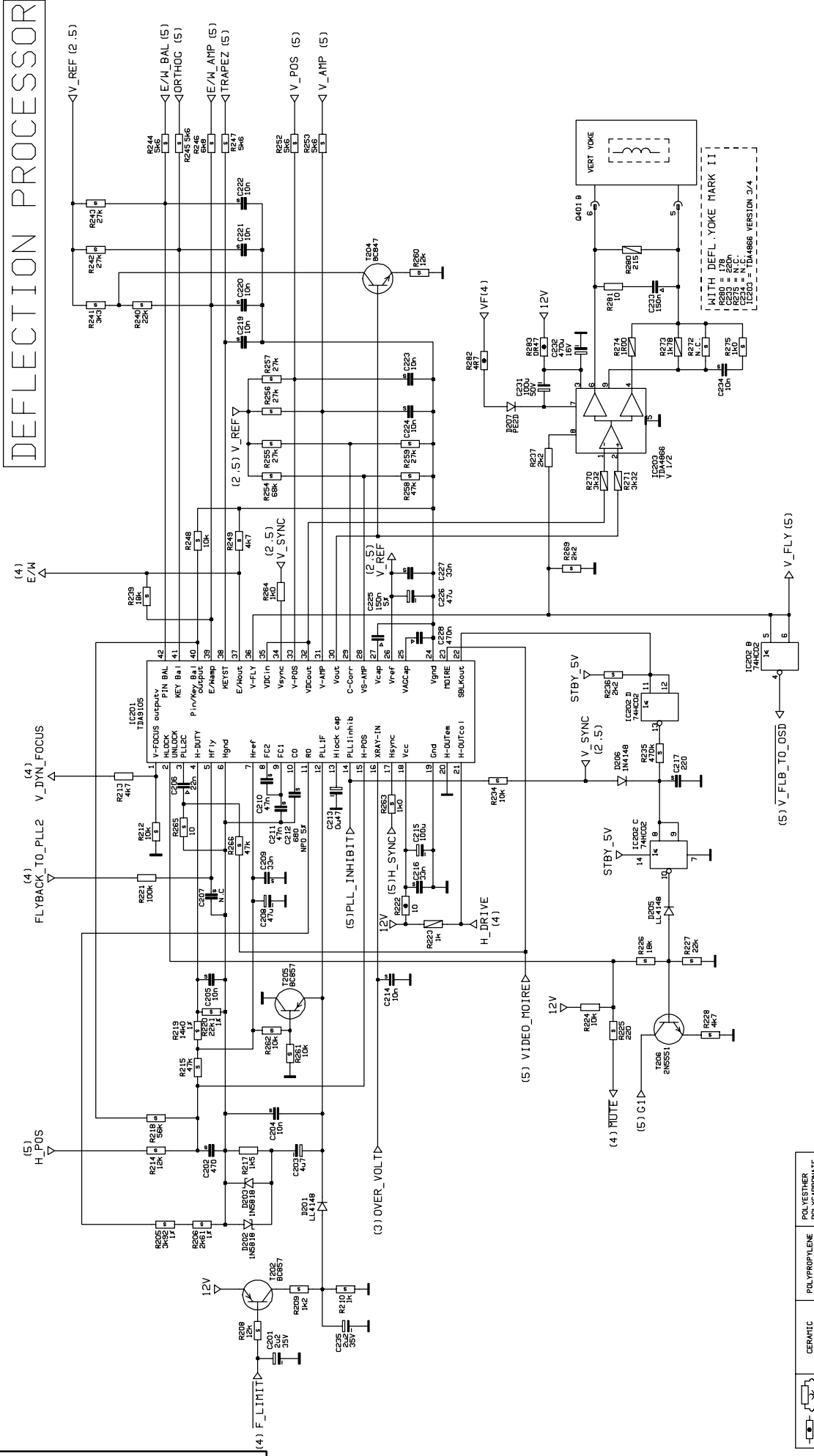
WITH DEFL. YOKE MARK II
 R174 = 3K0 17
 R175 = 3K0 17

ECN 56006E
 449P/R/V 43

SMA188E/189E
 D3103E 12.96 Page 5

Symbol	GERMATIC	POLYPROPYLENE	POLYESTHER POLYCARBONATE
	≤ 63 V	≤ 63 V	≤ 63 V
	≤ 160 V	≤ 160 V	≤ 180 V
	≤ 250 V	≤ 250 V	≤ 250 V
	≤ 500 V	≤ 500 V	≤ 400 V
	$\leq 1,5$ kV	$\leq 1,5$ kV	$\leq 1,5$ kV

DEFLECTION PROCESSOR

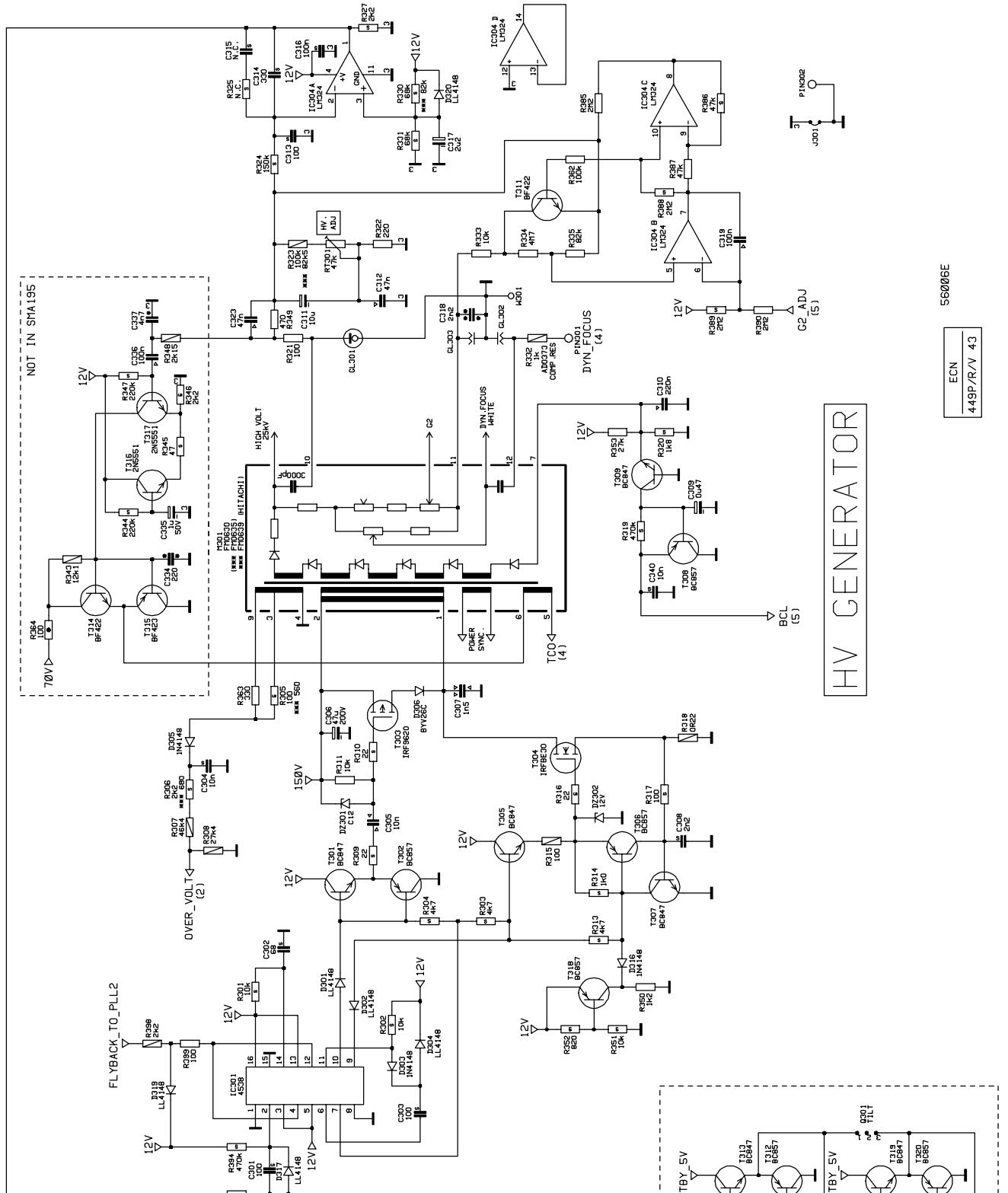


VERT. OUTPUT

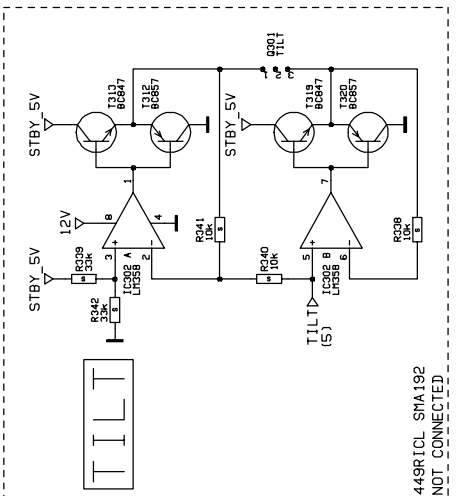
5600GE
ECN
449P/R/V 43

	CERAMIC	POLYPROPYLENE	POLYESTHER POLYCARBONATE
	$\leq 63 \text{ V}$	$\leq 63 \text{ V}$	$\leq 63 \text{ V}$
	$\leq 160 \text{ V}$	$\leq 160 \text{ V}$	$\leq 160 \text{ V}$
	$\leq 250 \text{ V}$	$\leq 250 \text{ V}$	$\leq 250 \text{ V}$
	$\leq 500 \text{ V}$	$\leq 500 \text{ V}$	$\leq 400 \text{ V}$
	$\leq 1.5 \text{ kV}$	$\leq 1.5 \text{ kV}$	$\leq 1.5 \text{ kV}$

	CERAMIC	POLYPROPYLENE	POLYESTER POLYCARBONATE



NOT IN SMA195



HV GENERATOR

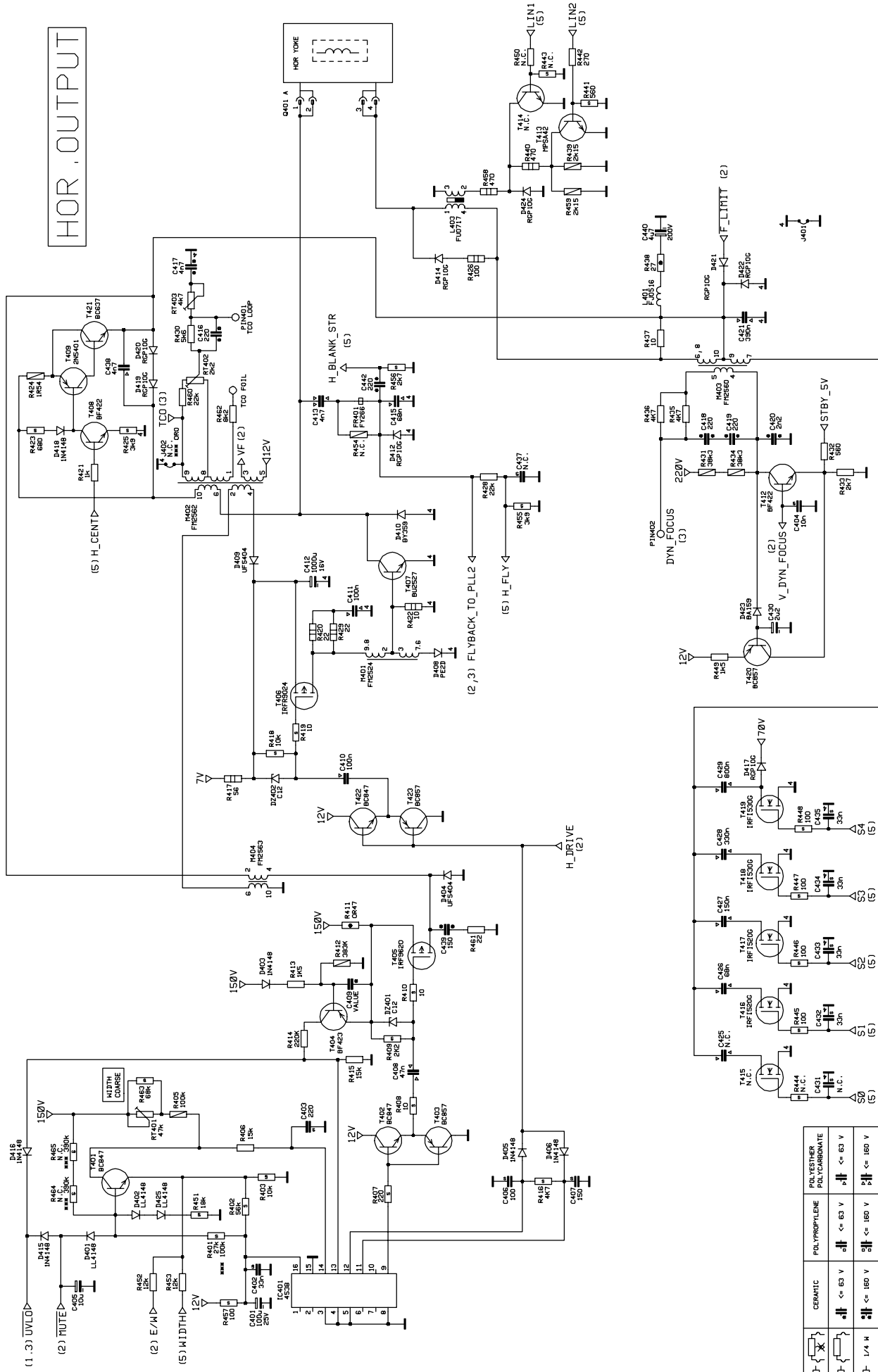
ECN 449P/R/V 43

56006E

SMA188E/189E

2

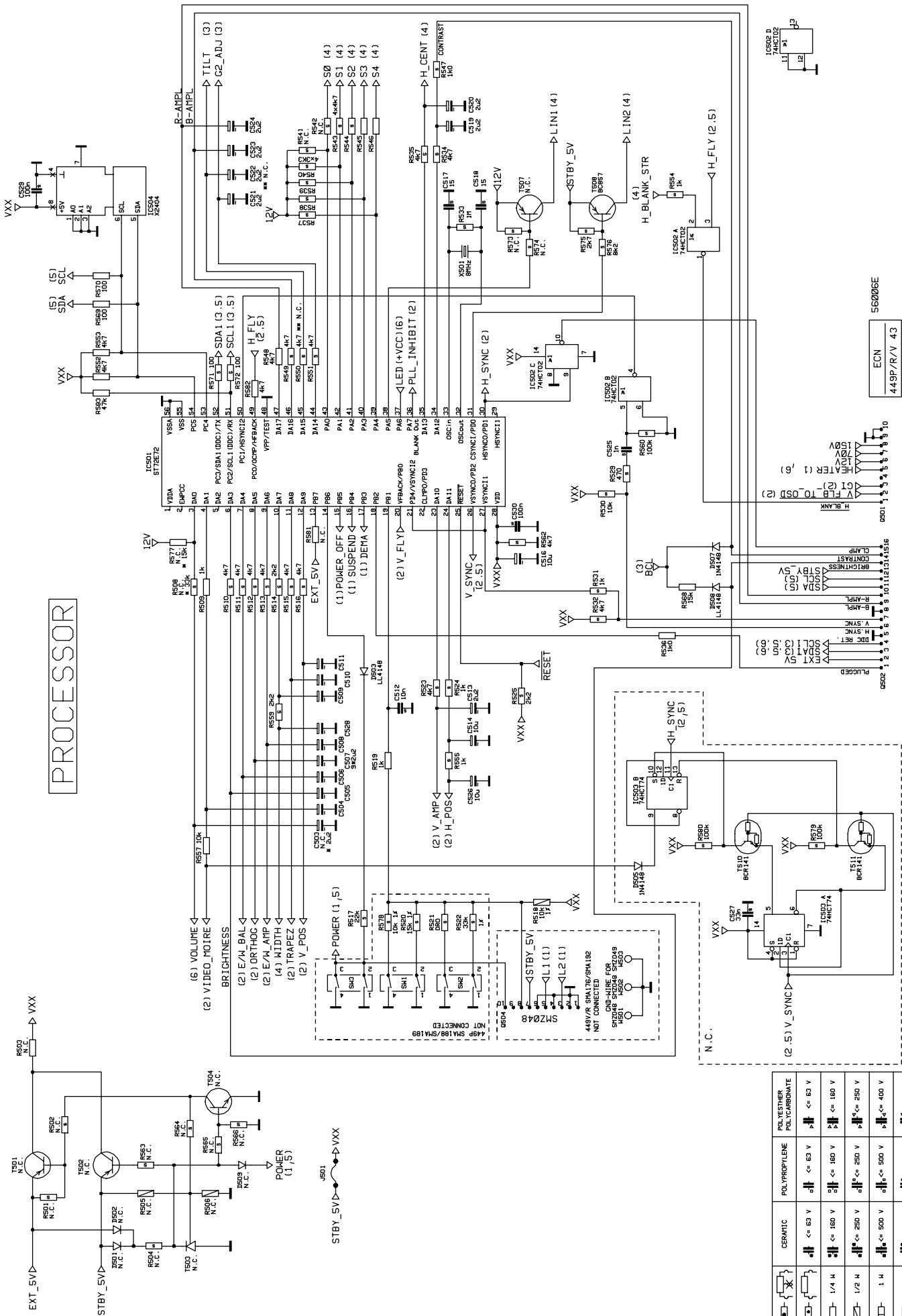
449R1C1 SMA192
NOT CONNECTED



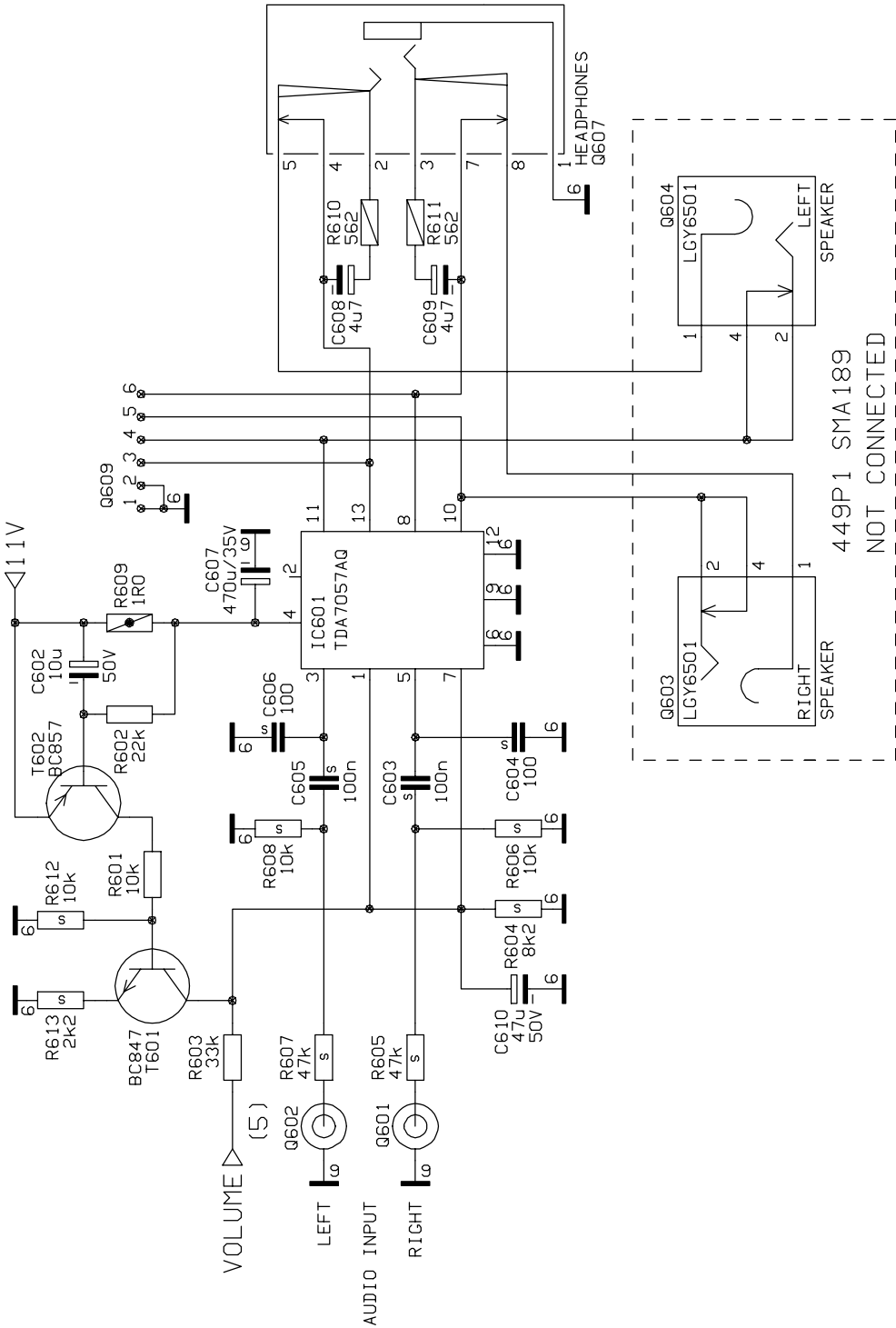
56006E

ECN
449P/R/V 43

Symbol	Material	Value	Notes
	CERAMIC	< 63 V	
	POLYPROPYLENE	< 63 V	
	POLYESTHER POLYCOMBIMATE	< 63 V	
		< 160 V	1/4 H
		< 250 V	1/2 H
		< 500 V	1 H
		< 1.5 kV	2 H



	POLYPROPYLENE	POLYESTER POLYCARBONATE
1 X1	≠ << 63 V	≠ << 63 V
1/4 H	≠ << 160 V	≠ << 160 V
1/2 H	≠ << 250 V	≠ << 250 V
1 H	≠ << 500 V	≠ << 500 V
2 H	≠ << 1.5 MV	≠ << 1.5 MV



	CERAMIC	POLYPROPYLENE	POLYESTHER POLYCARBONATE
	≤ 63 V	≤ 63 V	≤ 63 V
	≤ 160 V	≤ 160 V	≤ 160 V
	≤ 250 V	≤ 250 V	≤ 250 V
	≤ 500 V	≤ 500 V	≤ 400 V
	≤ 1.5 kV	≤ 1.5 kV	≤ 1.5 kV

449R/V SMA176
 NOT CONNECTED

56006E

ECN
449P/R/V 43

