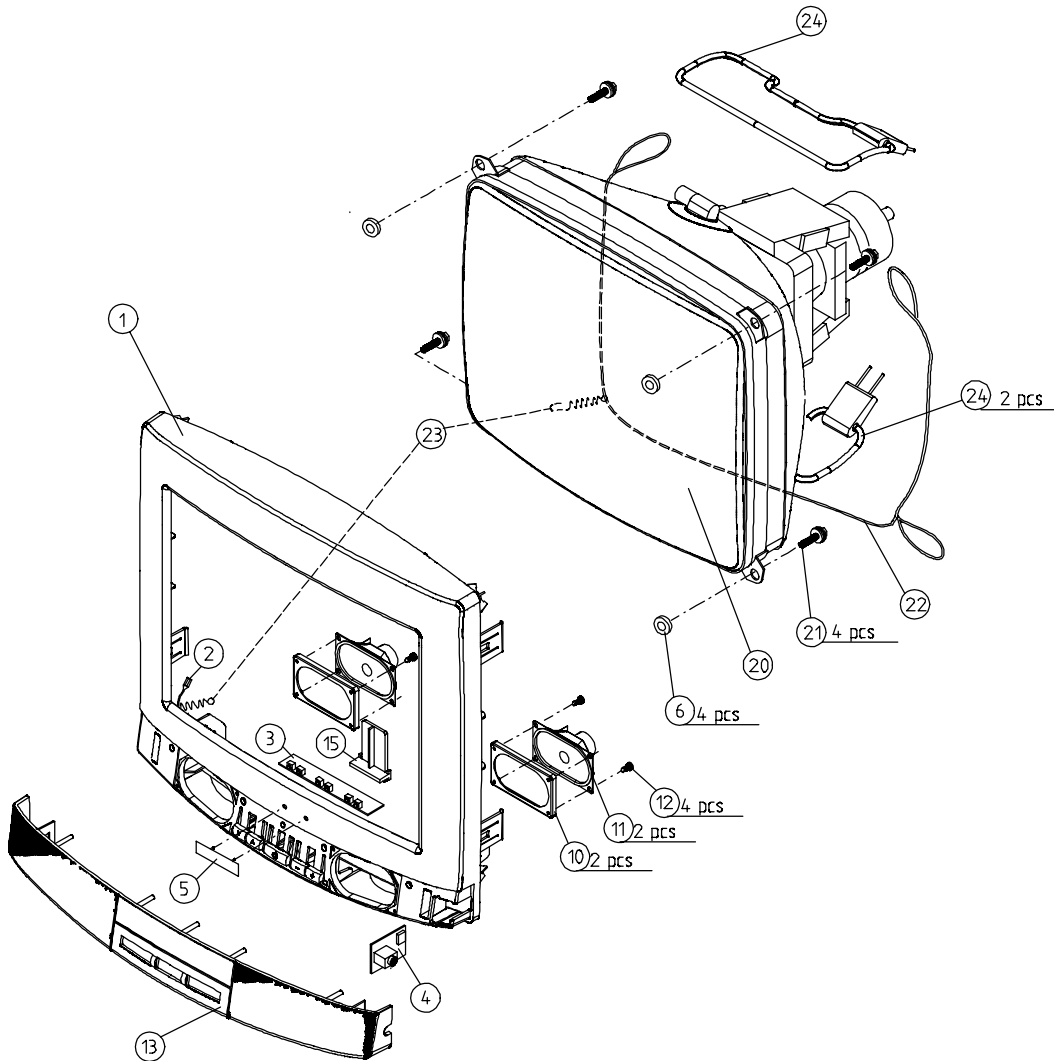
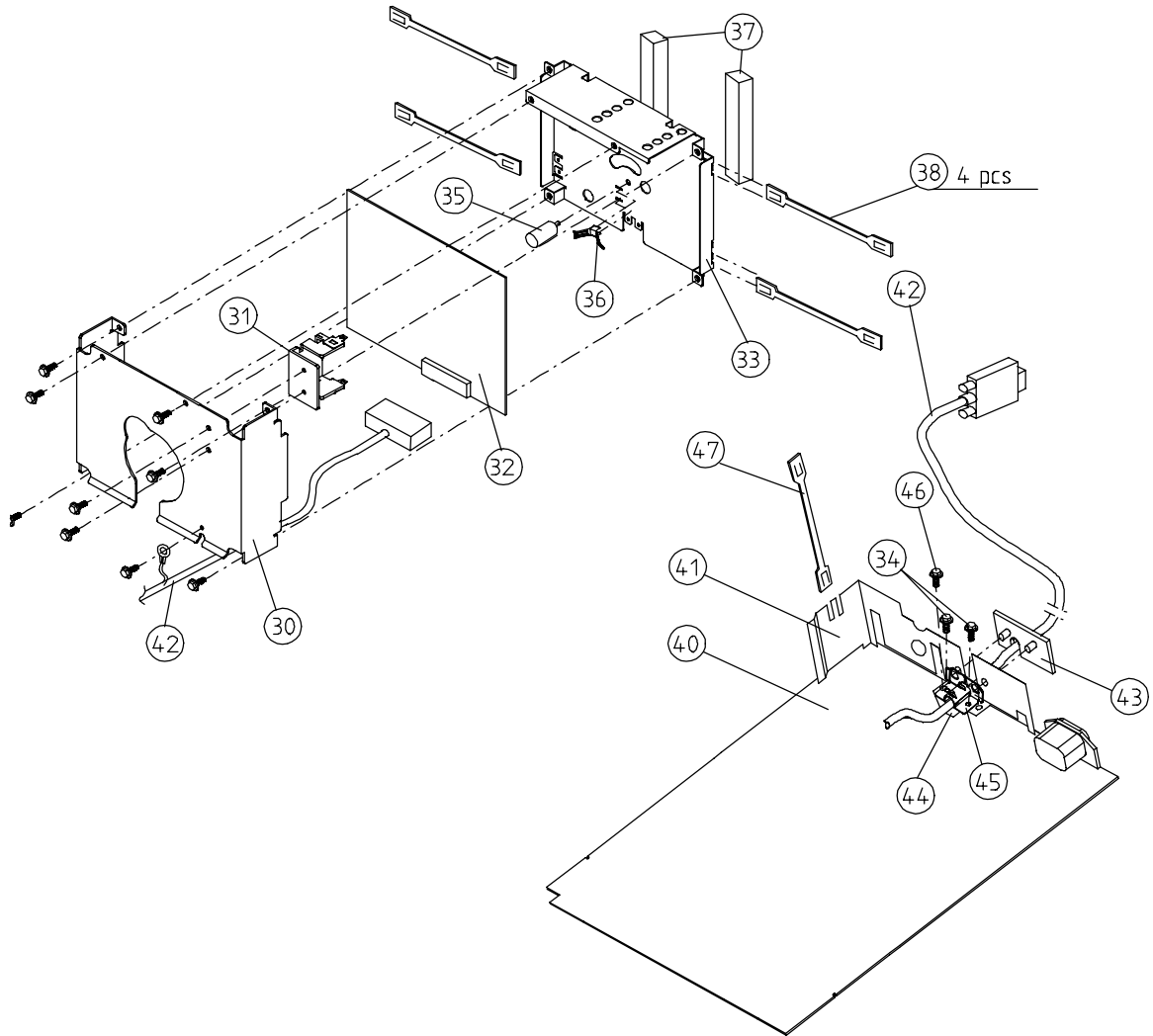


Spare Parts

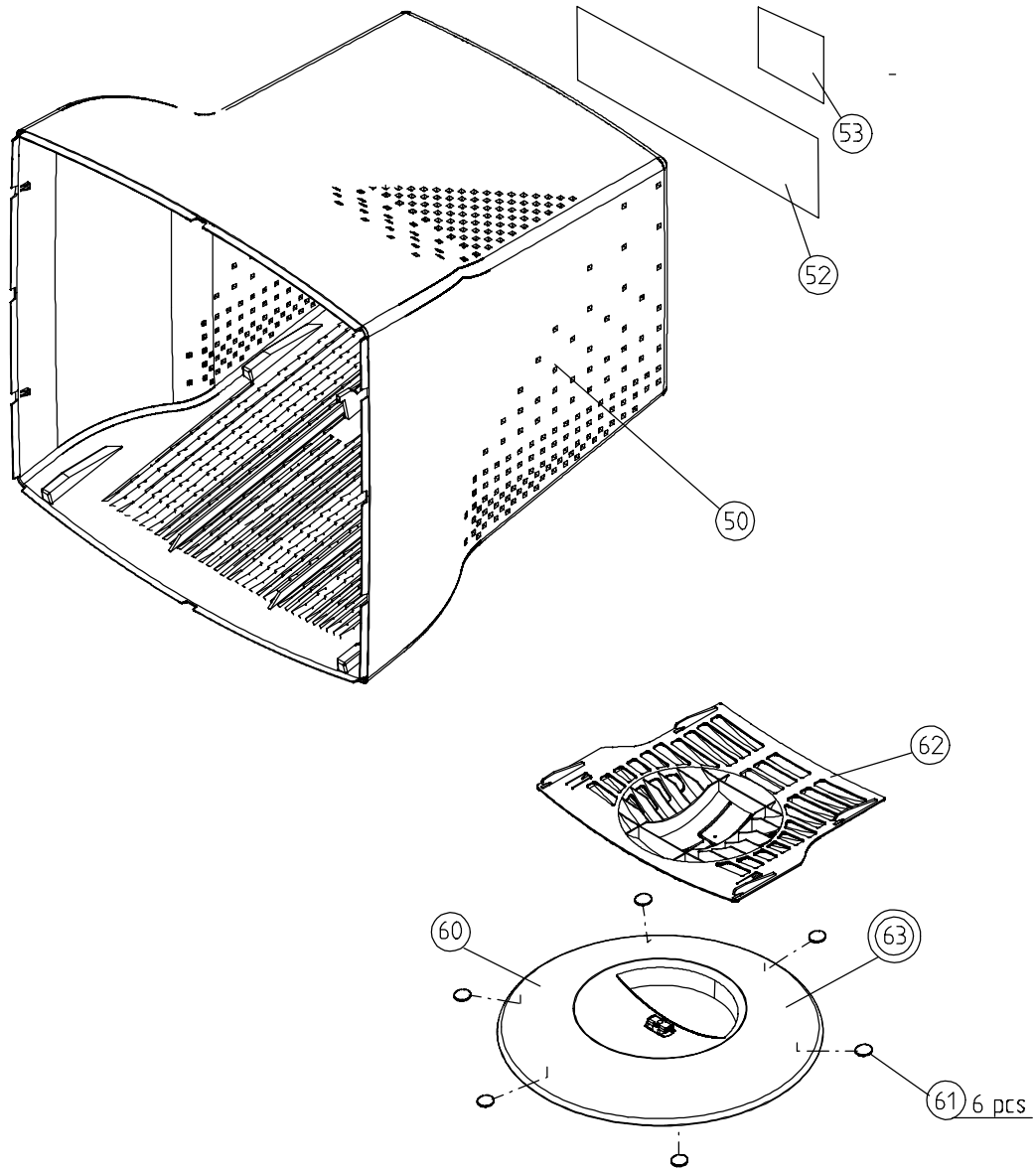
P/N	Description	Emission	Prod P/N
	15" Nokia Multigraph MicroEmission	TCO	449P051
	15" Nokia Multigraph MicroEmission Audio Europe	TCO	449P151
	15" Nokia Multigraph MicroEmission Audio USA	TCO	449P159
	15" Nokia Multigraph MicroEmission 69 kHz	TCO	449P251
	15" Nokia Multigraph MicroEmission Audio Europe 69 kHz	TCO	449P351
	15" Nokia Multigraph MicroEmission Audio Europe 69 kHz	TCO	449P359



Item no	Description	Code	PG	Model 449P
01	Bezel	UM7520	22	
02	TCO –transmitter wire	SE2659	03	
03	Key board	SMZ048	32	
04	Audio connector panel	SMZ049	21	151 159 351 359
05	Badge Nokia	UA1244	06	
06	Friction plate PN44409	UL0131	01	
11	Loudspeaker	QP0226	19	151 159 351 359
12	Loudspeaker screw	WC0350	01	151 159 351 359
13	Control panel	UA7460A	15	151 159
13	Control panel	UA7460B	15	351 359
13	Control panel	UA7470A	15	051
13	Control panel	UA7470B	15	251
15	Chock	UG1008	04	
20	Picture Tube	NM1014	59	
21	Pt–screw KB 5,0 X 33 mm	WC0352	01	
23	Grounding spring	UC3016	02	
24	Demagn.coil	FD0156	21	



Item no	Description	Code	PG	Model
30	Shield for socket board	UC6854	06	
31	Cooling plate	UC6853	04	
32	Crt-module	SMH124	35	
33	Cover	UC6855	05	
34	Hexagonhead tapping screw collar	WC0036	01	
35	Support Peg	UG0778	01	
36	Grounding spring	UC6691	03	
37	Cushion support	UA1318	03	
38	Grounding wire	SE2660	03	
40	Main board	SMA188	57	051
40	Main board	SMA189	58	151 159
40	Main board	SMA205	60	251
40	Main board	SMA206	60	351 359
41	Interference shield	UC6776	04	
42	Signal cable VGA-45	QM0294	23	
43	Cover plate	UA7030	02	
44	Support	UC6876	01	
45	Strain relief	UC6801	08	
46	Screw	WC0046	01	
47	Grounding wire	SE2672	03	
	DDC-module	SMZ052	12	



Item no	Decsription	Code	PG	Model
50	Rear cover	UD0624	30	
52	Type label 449P	ZZ2780	10	051 151 159
52	Type label 449P	ZZ2781	06	251 351 359
53	Rating label	ZZ2761	02	051 151 159
61	Foot button	UL0091	02	
63	Stand assy	UDX090	21	

Item no	Description	Code	PG	Model
Cables:				
	Signal cable VGA-45	QM0294	23	
	Power cord 3x1.0_MM2 L=2.5M GREY	QM0028	18	251 361
	Power cord 3x18AWG L=18M	QM0049	15	159 359
	Audiocable 3,5mm to 2xRCA	QM0150	13	159 359
	Bluemode Macadapter	QK1520	17	159 359
Packing materials:				
	Plastic pag	ZA0453	02	
	Support R/L	ZA1884	12	
	Packing box	ZA2542	16	
Documents:				
	Users guide EN FR SP	ZF5705	10	
	Users guide GE IT SW FI	ZF5706	11	051 151
	Users guide EN FR SP	ZF5740	11	251 351 359
	Users guide EN FR SP	ZF5741	11	251 351
	Warranty card	ZF5683	02	159 359
	TCO95 leaflet	ZF5737	02	251 351 359
	Nokia mon setup2 Win95 3.5" Disk	ZK0004	08	->97287
	Nokia mon setup2 Win95 3.5" Disk	ZK0005	08	97291->
	Static Sticker Trinton	ZZ2784	03	351 359

