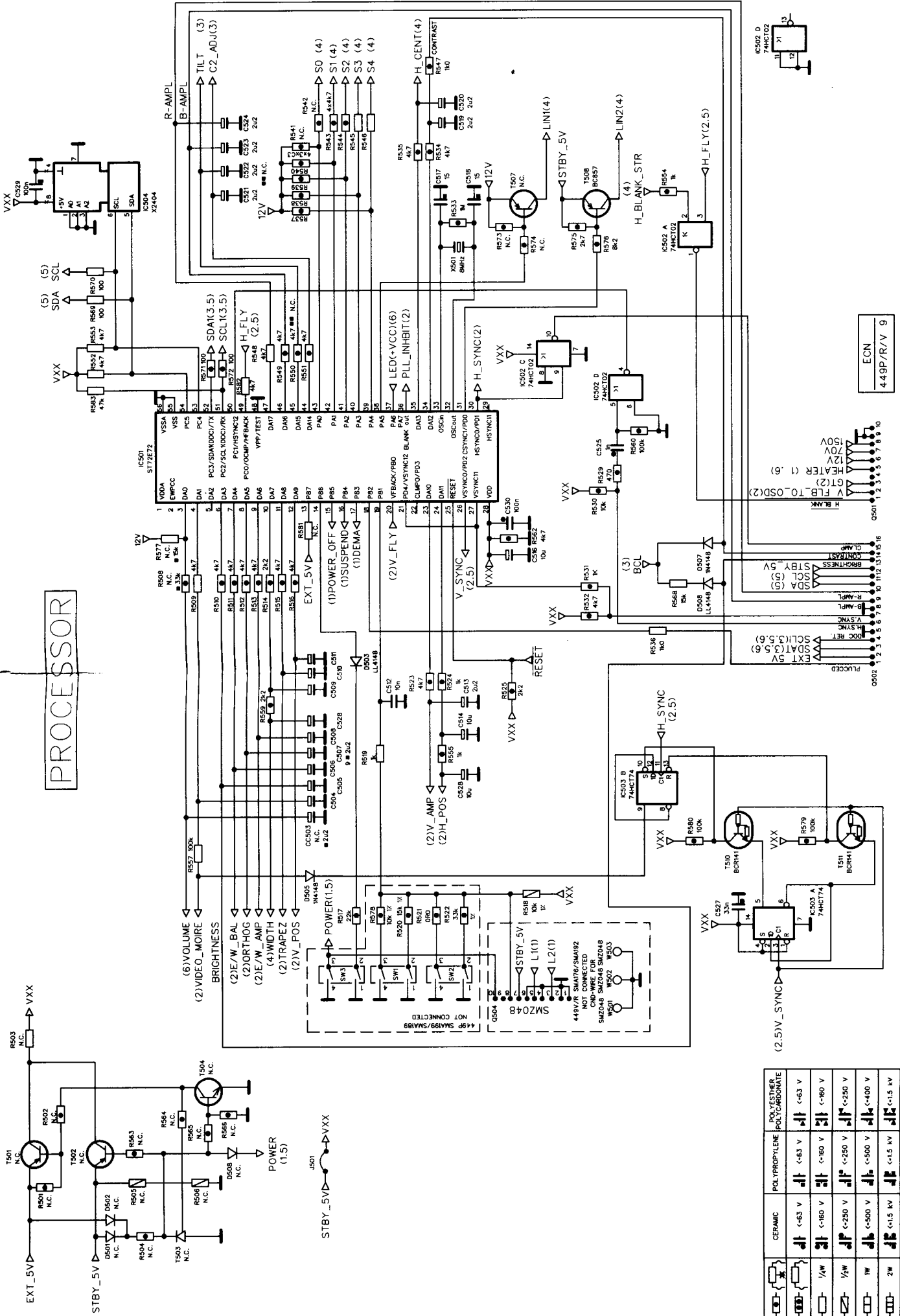


RNONFL	CERAMIC	POLYPROPYLENE	POLYESTHER POLYCARBONATE
RLIFT	<-63 V	<-63 V	<-63 V
1/4W	<-160 V	<-160 V	<-160 V
1/2W	<-250 V	<-250 V	<-250 V
1W	<-500 V	<-500 V	<-400 V
2W	<-1.5 kV	<-1.5 kV	<-1.5 kV

449R/V SMA176
NOT CONNECTED

ECN
449P/R/V 9

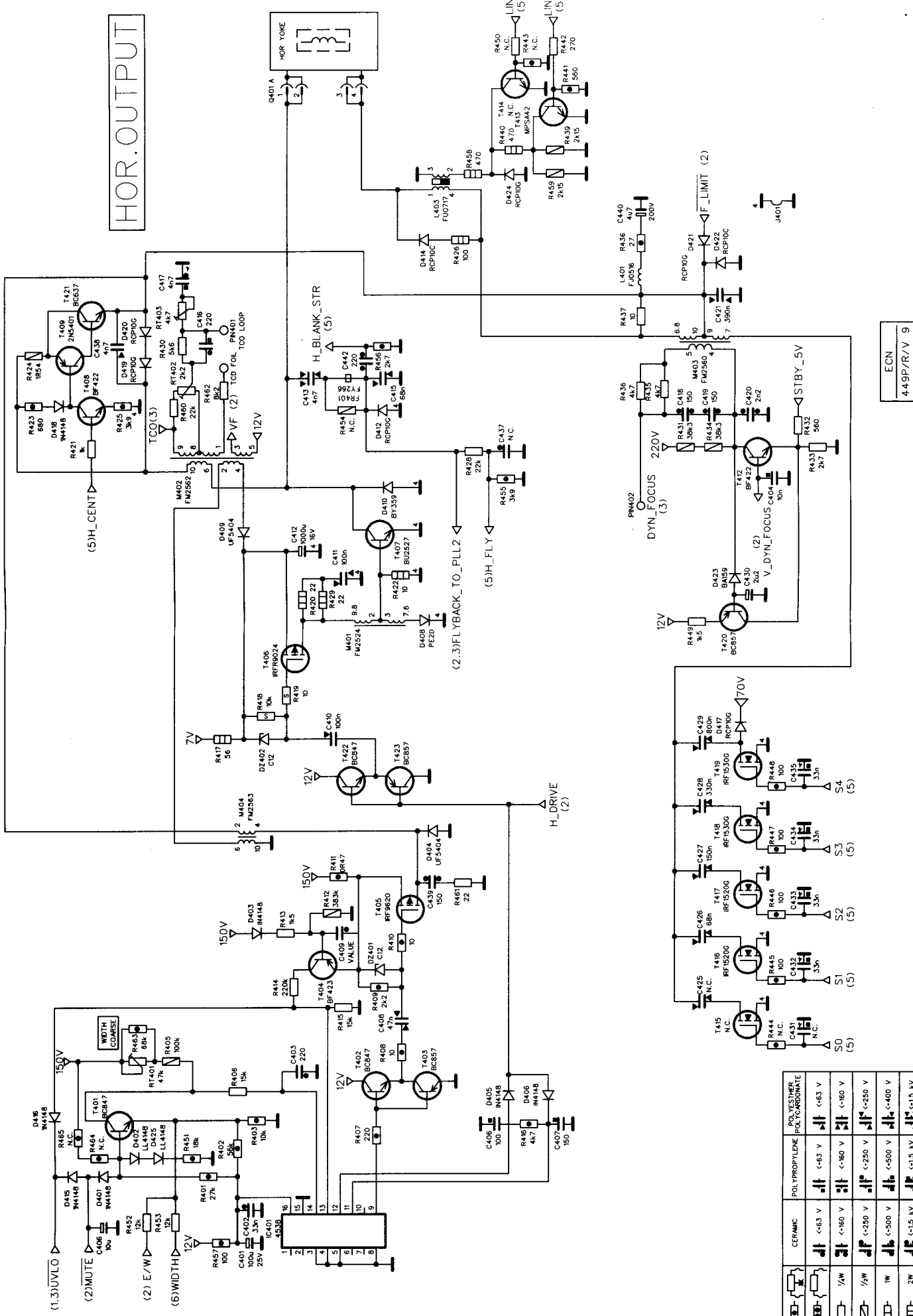
PROCESSOR



Symbol	Material	Value	Symbol	Material	Value
	CERAMIC	$\leq 63\text{ V}$		POLYPROPYLENE	$\leq 63\text{ V}$
	POLYPROPYLENE	$\leq 160\text{ V}$		POLYPROPYLENE	$\leq 160\text{ V}$
	POLYPROPYLENE	$\leq 250\text{ V}$		POLYPROPYLENE	$\leq 250\text{ V}$
	POLYPROPYLENE	$\leq 500\text{ V}$		POLYPROPYLENE	$\leq 500\text{ V}$
	POLYPROPYLENE	$\leq 1.5\text{ kV}$		POLYPROPYLENE	$\leq 1.5\text{ kV}$

ECN
449P/R/V 9

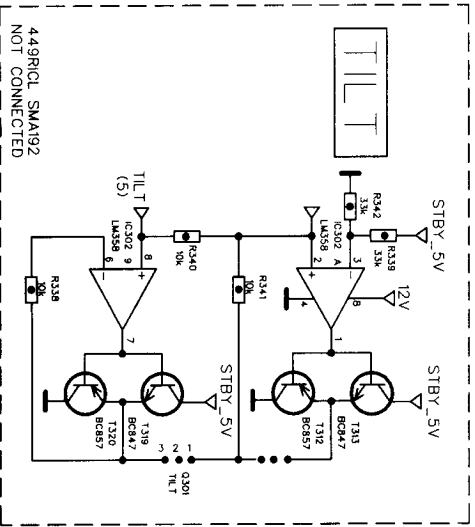
HOR. OUTPUT



ECN
449P/R/V 9

Symbol	CERAMIC	POLYESTER POLYCARBONATE	POLYPROPYLENE
	$\le 63V$	$\le 63V$	$\le 63V$
	$\le 160V$	$\le 160V$	$\le 160V$
	$\le 250V$	$\le 250V$	$\le 250V$
	$\le 500V$	$\le 500V$	$\le 500V$
	$\le 1.5kV$	$\le 1.5kV$	$\le 1.5kV$
	1/4W	1/4W	1/4W
	1/2W	1/2W	1/2W
	1W	1W	1W
	2W	2W	2W

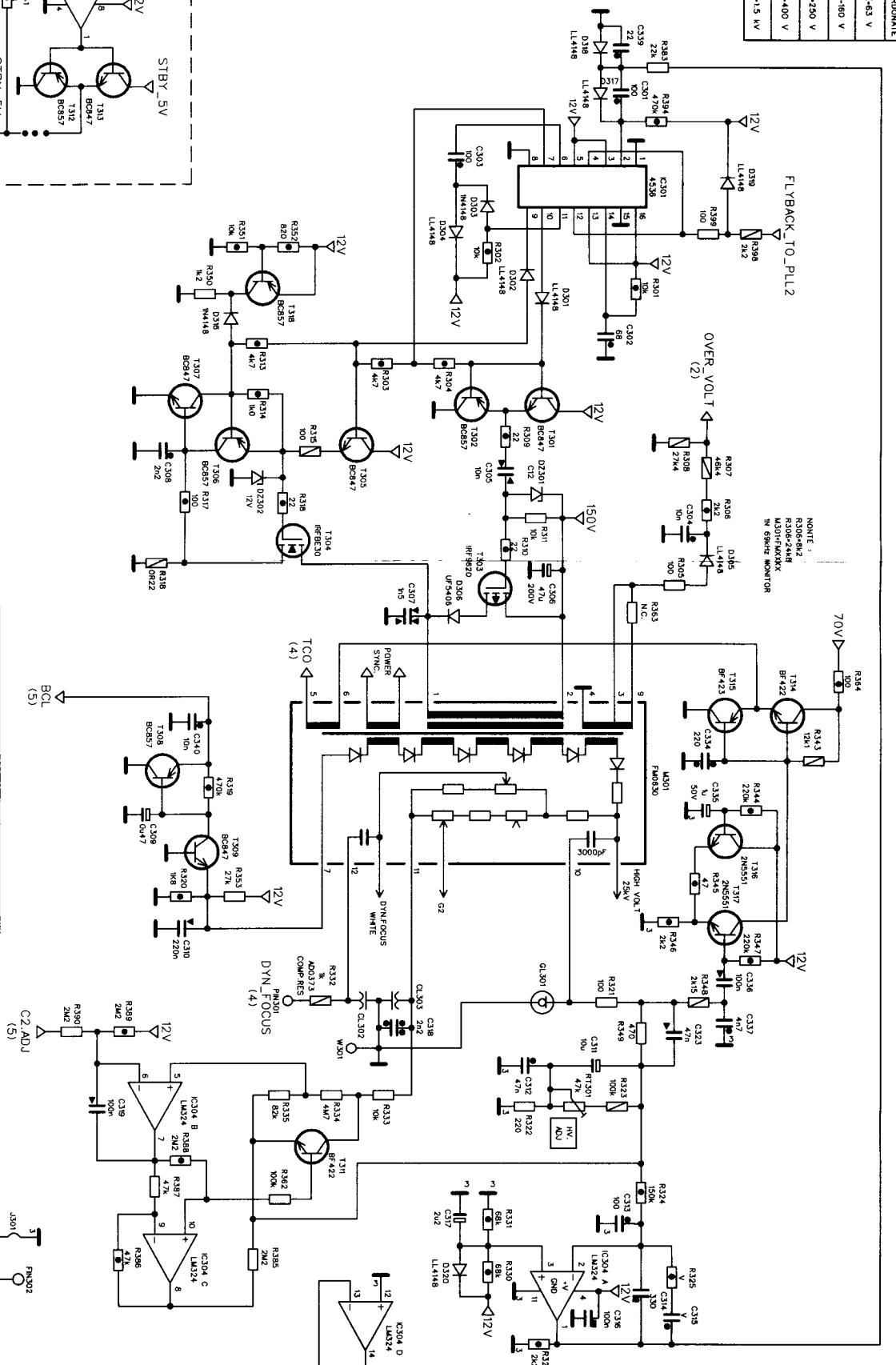
Symbol	CERAMIC	POLYPROPYLENE	POLYESTHER
	⏏	⏏	⏏
	⏏	⏏	⏏
	⏏	⏏	⏏
	⏏	⏏	⏏
	⏏	⏏	⏏
	⏏	⏏	⏏
	⏏	⏏	⏏
	⏏	⏏	⏏
	⏏	⏏	⏏
	⏏	⏏	⏏
	⏏	⏏	⏏
	⏏	⏏	⏏
	⏏	⏏	⏏
	⏏	⏏	⏏
	⏏	⏏	⏏
	⏏	⏏	⏏
	⏏	⏏	⏏
	⏏	⏏	⏏
	⏏	⏏	⏏
	⏏	⏏	⏏
	⏏	⏏	⏏
	⏏	⏏	⏏
	⏏	⏏	⏏
	⏏	⏏	⏏
	⏏	⏏	⏏
	⏏	⏏	⏏
	⏏	⏏	⏏
	⏏	⏏	⏏
	⏏	⏏	⏏
	⏏	⏏	⏏
	⏏	⏏	⏏
	⏏	⏏	⏏



449RCL SMA192
NOT CONNECTED

ECN
449P/R/V 9

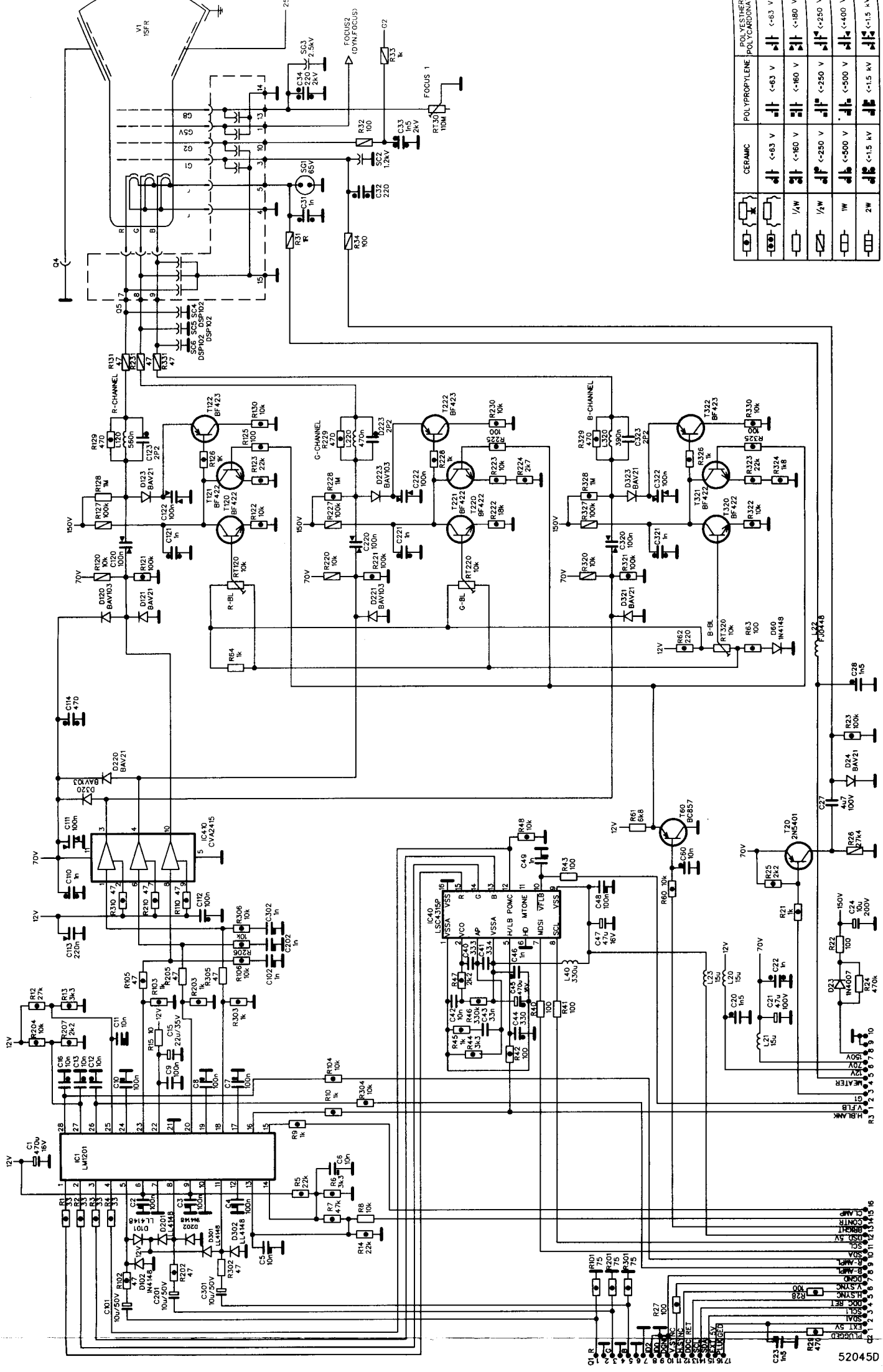
HV GENERATOR




NOTE 1:
R306-448
R306-448
M301-M303
IN 68MHz MONITOR

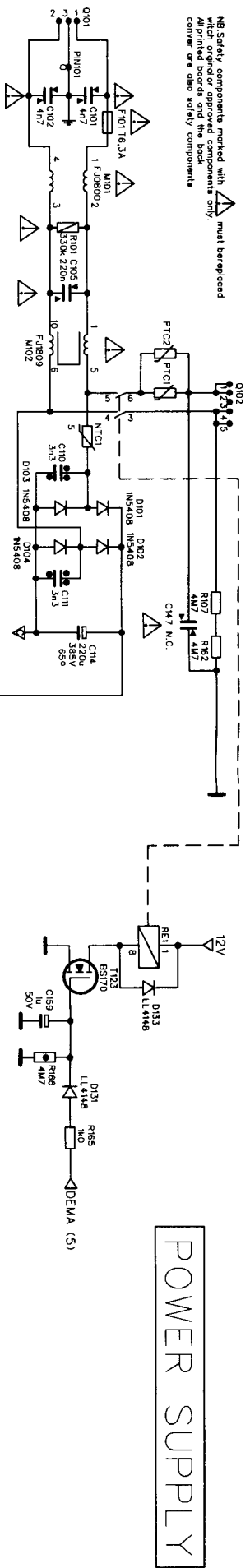
C2,ADJ

PS02

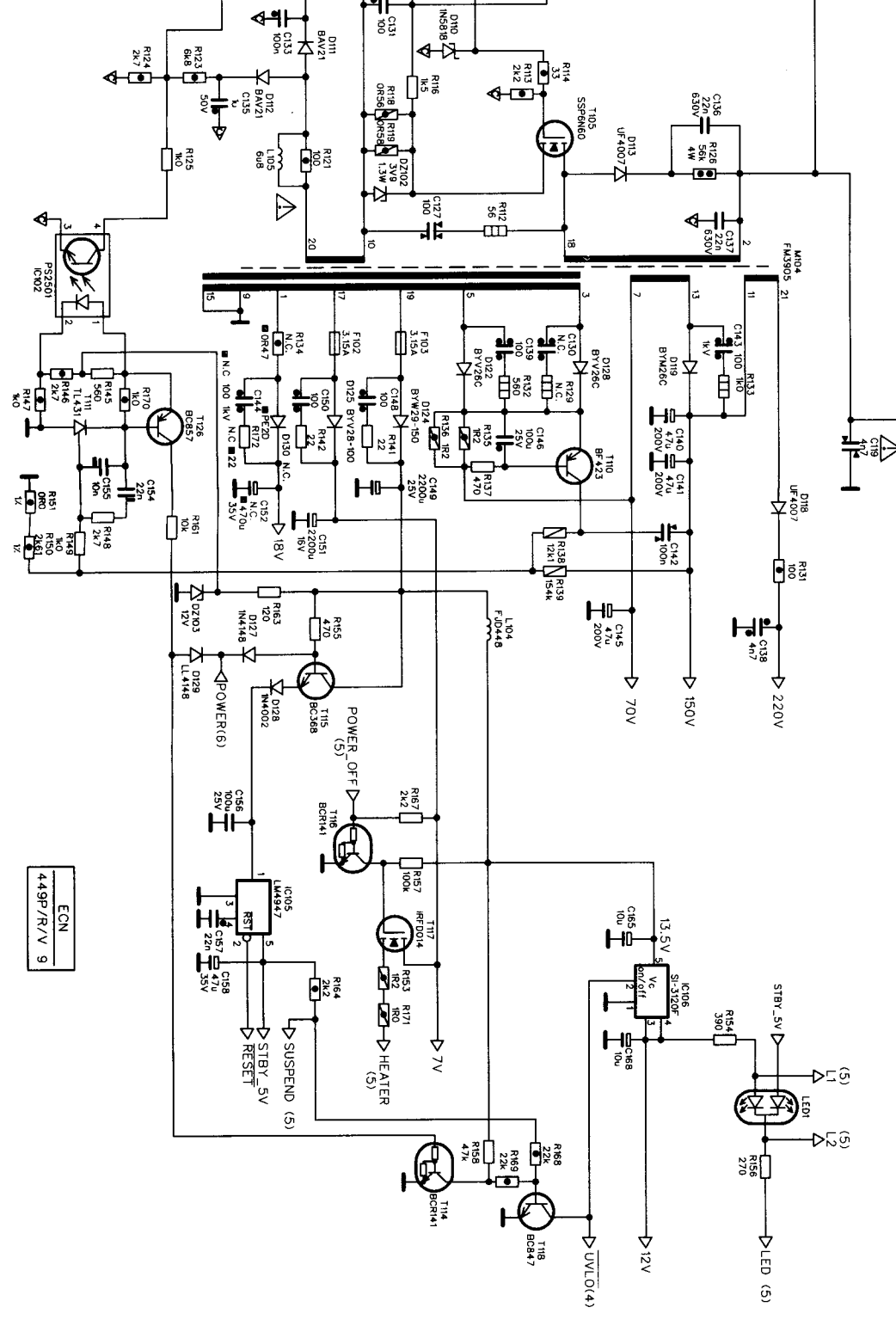


	POLYESTER	<-63 V		<-63 V
	POLYPROPYLENE	<-160 V		<-160 V
	CERAMIC	<-250 V		<-250 V
		<-500 V		<-500 V
		<-1.5 kV		<-1.5 kV

NE Safety components marked with  must be replaced with original or approved components only. Printed boards only. Components are also safety components.

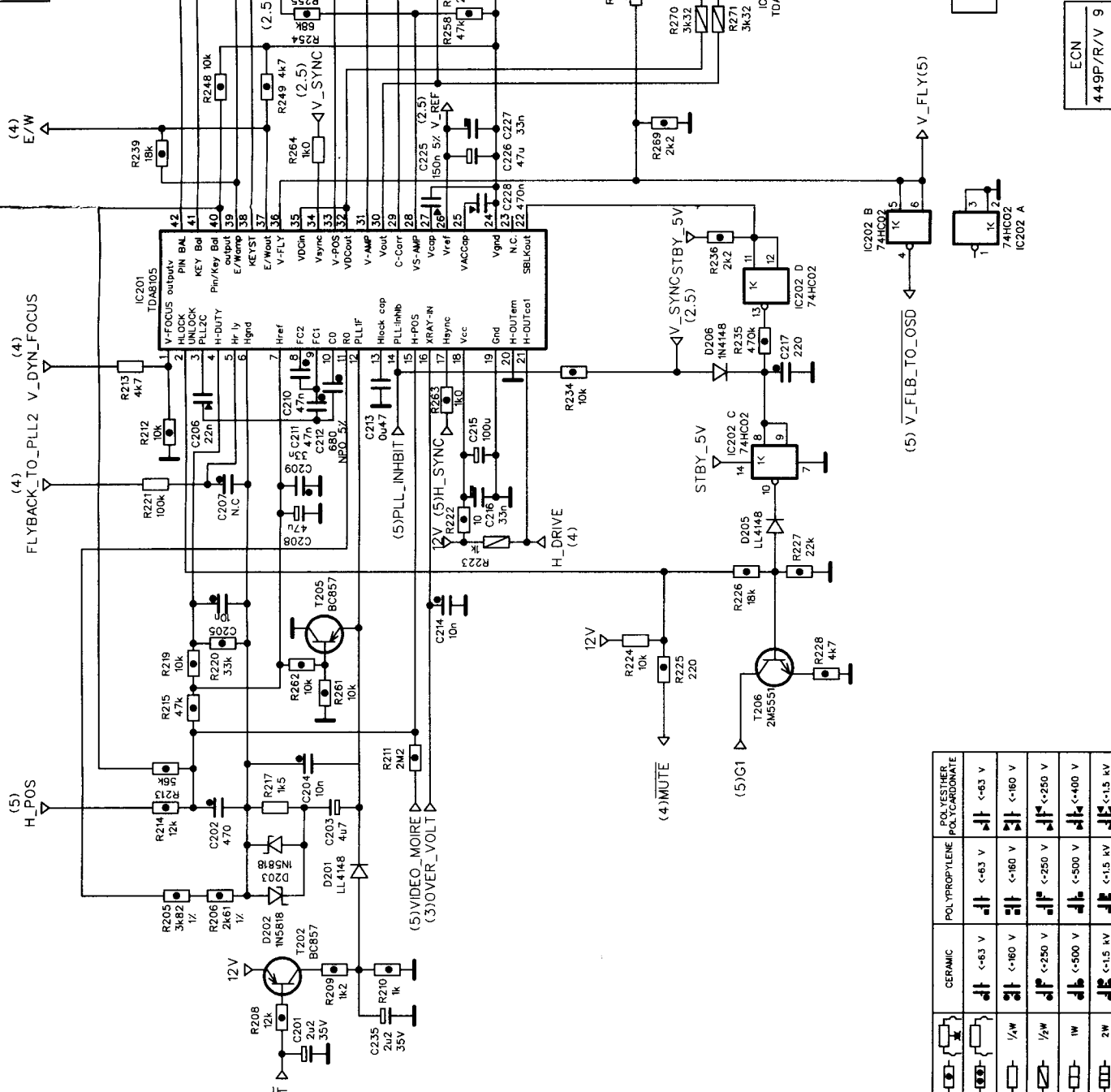


Symbol	Value	Material
	<math>< 4.3 \text{ V}</math>	CERAMIC
	<math>< 4.3 \text{ V}</math>	POLYPROPYLENE
	<math>< 4.3 \text{ V}</math>	POLYESTER
	<math>< 8.0 \text{ V}</math>	CERAMIC
	<math>< 8.0 \text{ V}</math>	POLYPROPYLENE
	<math>< 8.0 \text{ V}</math>	POLYESTER
	<math>< 2.50 \text{ V}</math>	CERAMIC
	<math>< 2.50 \text{ V}</math>	POLYPROPYLENE
	<math>< 2.50 \text{ V}</math>	POLYESTER
	<math>< 5.00 \text{ V}</math>	CERAMIC
	<math>< 5.00 \text{ V}</math>	POLYPROPYLENE
	<math>< 5.00 \text{ V}</math>	POLYESTER
	<math>< 1.5 \text{ AV}</math>	CERAMIC
	<math>< 1.5 \text{ AV}</math>	POLYPROPYLENE
	<math>< 1.5 \text{ AV}</math>	POLYESTER



ECN
449P/R/V 9

DEFLECTION PROCESSOR



VERT. OUTPUT

	CERAMIC	POLYPROPYLENE	POLYESTHER POLYCARBONATE
1/4W			
1/2W			
1W			
2W			

ECN
449P/R/V 9