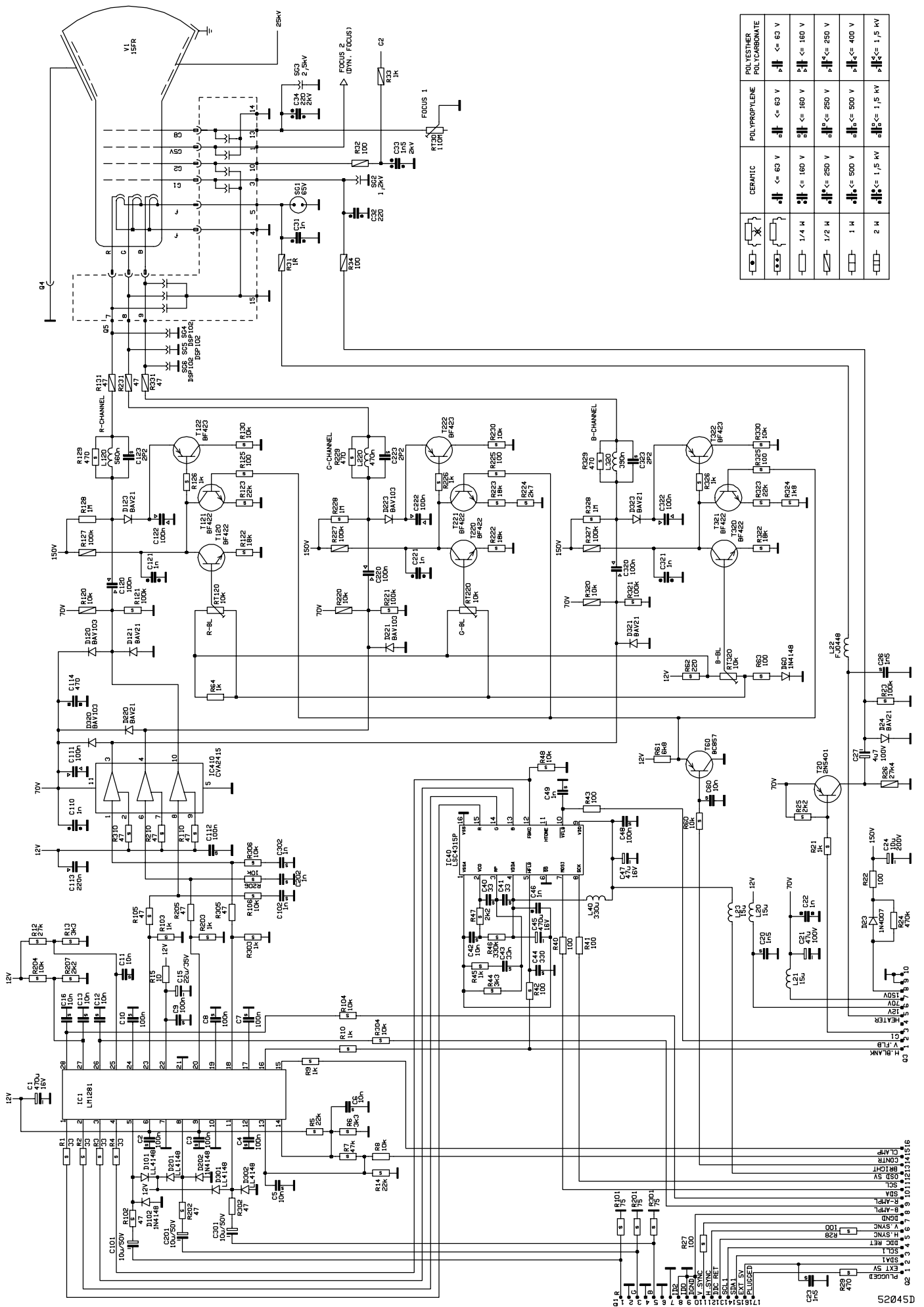


Part Number	Description	PG	Item Number
AA0625	CF RES 0W25 10R J 2,5-7	01	R 15
AA0641	CF RES 0W25 47R J 2,5-7	01	R 205 302 305
AA0649	CF RES 0W25 100R J 2,5-7	01	R 22 40 41 43
AA0673	CF RES 0W25 1K0 J 2,5-7	01	R 64
AA0693	CF RES 0W25 6K8 J 2,5-7	01	R 61
AA0697	CF RES 0W25 10K J 2,5-7	01	R 8
AA0737	CF RES 0W25 470K J 2,5-7	01	R 24
AA0745	CF RES 0W25 1M0 J 2,5-7	01	R 128
AB0801	NF RES 0W5 1R0 J 4-11 CF	02	R 31
AC3584	CHIPRES 0W1 75R 1%	01	R 101 201 301
AC4400	CHIPRES 0W1 0R0 5%	01	J 30 31
AC4437	CHIPRES 0W1 33R 5%	01	R 1 2 3 4
AC4441	CHIPRES 0W1 47R 5%	01	R 102 105 110 202 210 310
AC4449	CHIPRES 0W1 100R 5%	01	R 27 28 42 63 125 225 325
AC4465	CHIPRES 0W1 470R 5%	01	R 29 129 229 329
AC4469	CHIPRES 0W1 680R 5%	01	R 62
AC4473	CHIPRES 0W1 1K0 5%	01	R 9 10 21 45 103 126 203 226 303 326
AC4479	CHIPRES 0W1 1K8 5%	01	R 324
AC4481	CHIPRES 0W1 2K2 5%	01	R 25 47 207
AC4483	CHIPRES 0W1 2K7 5%	01	R 224
AC4485	CHIPRES 0W1 3K3 5%	01	R 6 13 44
AC4497	CHIPRES 0W1 10K 5%	01	R 48 60 104 106 130 204 206 230 304 306 330
AC4503	CHIPRES 0W1 18K 5%	01	R 122 222 223 322 14
AC4505	CHIPRES 0W1 22K 5%	01	R 5 123 323
AC4507	CHIPRES 0W1 27K 5%	01	R 12
AC4513	CHIPRES 0W1 47K 5%	01	R 7
AC4521	CHIPRES 0W1 100K 5%	01	R 121 221 321
AC4533	CHIPRES 0W1 330K 5%	01	R 46
AC4537	CHIPRES 0W1 470K 5%	01	R 23
AC4545	CHIPRES 0W1 1M0 5%	01	R 228 328
AD0341	COMPRES 0W5 47R K	03	R 131 231 331
AD0349	COMPRES 0W5 100R K	01	R 32 34
AD0373	COMPRES 0W5 1K0 K	01	R 33
AG3501	MF RES 0W5 10K0 F TC50	01	R 120 220 320
AG3543	MF RES 0W5 27K4 F TC50	01	R 26
AG3601	MF RES 0W5 100K F TC50	01	R 127 227 327
AP1030	PMET 110M 4KV 449V/R	10	RT 30
AQ2217	TPMET.AA H10 10K RM 5X10 6-HOLE	03	RT 120 220 320
CA0306	CERCAP Y5T 220P M 2KV	02	C 34
CA0320	CERCAP Y5P 1N5 K 2KV	03	C 33
CB3109	CHIPCERCAP NP0 2P2 50V C	01	C 123 223 323
CB3137	CHIPCERCAP NP0 33P 50V J	01	C 40 41
CB3163	CHIPCERCAP NP0 330P 50V J	01	C 44
CB3175	CHIPCERCAP NP0 1N0 50V J	03	C 49 102 202 302
CC0130	CERCAP Y5P 220P K 500V	01	C 32
CC0170	CERCAP Y5P 470P K 500V	01	C 114
CC0200	CERCAP Y5P 1N0 K 500V	01	C 2231 46 110 121 221 321
CC3220	CHIPCERCAP X7R 1N5 10% 50V	01	C 20 23 26 5 6 11 12 13 16 42 60
CC3380	CHIPCERCAP X7R 33N 10% 50V	01	C 43
CC3580	CHIP CERCAP Y5V 100N Z	01	C 2 3 4 7 8 9 10 48 112
CK0283	PESCAP MKT 100N K 250V	02	C 111 120 122 220 222 320 322
CK2704	PESCAP MKT 220N K 63V	03	C 113
CN2029	ELCAP 4U7 M 100V RM5: 105' 6X12	03	C 27
CN0308	ELCAP 10U M 50V RM5 : 6*12	01	C 101 201 301
CN0420	ELCAP 47U M 16V RM5: 7*8	03	C 47
CN0604	ELCAP 470U M 16V RM5 11X22	03	C 45
CN2038	ELCAP 10U M 200V RM5 105' 10X16	04	C 24
CN2372	ELCAP 22UF M 35V RM5: 105' 6X12	03	C 15
CN2461	ELCAP- 47U M 100V RM5 105, 10X16	04	C 21
CN2642	ELCAP 470U M 16V RM5: 105' 11X21	04	C 1
FA0015	CHIP COIL 390NH 10% SIZE 1210	03	L 320
FA0016	CHIP COIL 470NH 10% SIZE 1210	03	L 220
FA0017	CHIP COIL 560NH 10% SIZE 1210	03	L 120
FJ0448	CHOKO 15UH FERRITE 1,55X18	02	L 22
FJ0505	CHOKO 15UH 5% TAPED AXIAL	02	L 20 21 23
FJ0705	CHOKO 330UH TAPED AXIAL	02	L 40
JF0022	DI 1N4148	01	D 60 102 202
JF0067	DI 1N4007 1000V 1A	01	D 23
JF0072	DI BAV21 200V 250MA 50N	01	D 24 121 123 220 321 323
JF4003	DI BAV103 200V 250MA 50NS SOD-80	07	D 120 221 223 320
JF4005	DI LL4148 75V 150MA 4N (JF4006)	01	D 101 201 301 302
JM0205	TR BF423 P 250V 25MA 60M:	03	T 122 222 322
JM0244	TR BF422 N 250V 25MA 60M:	02	T 120 121 220 221 320 321
JM0280	TR 2N5401 P 150V 0.6A 100M	02	T 20
JM4114	TR BC857B P 45V 100MA 150M:	02	T 60
LM0933	IC LSC4315 OSD W/NOKIA CHARACTERS	20	IC 40
LM0939	IC LM1281N 85MHZ RGB AMP.W/OSD	15	IC 1
LM0940	IC CVA2415T 65MHZ 3-CH CRT DRIVER	15	IC 410
QK1415	CRIPLET CONN FOR 2-SIDED PCB01	01	
QK1466	ROW CONN 1X17 2,54 VERT	05	Q 1
QK1604	CRT SOCKET W/FOCUS LEAD 449R	12	H 3
QK1704	PICOFLEX HEADER 1X10 1,27MM	04	Q 3
QK1707	PICOFLEX HEADER 1X16 1,27MM	04	Q 2
QK1715	BASE PIN COPPER 2,35X0,25X13,2	02	G2
QT0002	SPARK GAP 1,2KV +-500V R=5,0MM	03	SG 2
QT0004	SPARK GAP 2,5KV +-500V R=5,0MM	05	SG 3
QT0050	SURGE SPROTECTOR 1KV R=5,0MM	03	SG 4 5 6
QT0217	GLIMM LAMP 65V 6*16MM	03	SG 1
SE2663	FOCUS TRIMMERINJOHTO 449V/R	02	FOC 1
SE0928	SHORT CIRCUIT WIRE D=0,6MM L=50MM	01	J 1 2 3 4 5 6 7 8 9 10 11 12 13 14 15 16 17 18 19 20

Part Number	Description	PG	Item Number
UC6552	FASTENING SPRING 44BQ	03	C 410
UC6691	VIDEO BOARD GROUNDING SPRING 447C	04	
UC6853	COOLING PLATE 449R	05	
UC6854	COVER 449R	05	
UC6855	SHIELD FOR SOCKET BOARD 449R	05	
UG0778	SUPPORT PEG PN49951 447E	01	
WC0036	HEXAGONHEADTAPPING SCREW COLLAR 3,	01	
XW0032	DOW CORNING 340 SILICON GREASY 100	09	IC 410



Symbol	CERAMIC	POLYPROPYLENE	POLYESTER POLYCARBONATE
	$\leq 63$ V	$\leq 63$ V	$\leq 63$ V
	$\leq 160$ V	$\leq 160$ V	$\leq 160$ V
	$\leq 250$ V	$\leq 250$ V	$\leq 250$ V
	$\leq 500$ V	$\leq 500$ V	$\leq 400$ V
	$\leq 1,5$ kV	$\leq 1,5$ kV	$\leq 1,5$ kV

