

Part Number	Description	PG	Item Number
AA0649	CF RES 0W25 100R J 2,5-7	1	R 321 354 505
AA0657	CF RES 0W25 220R J 2,5-7	1	R 169 198 225 322
AA0665	CF RES 0W25 470R J 2,5-7	1	R 427 238 433
AA0673	CF RES 0W25 1K0 J 2,5-7	1	R 421 524 531
AA0677	CF RES 0W25 1K5 J 2,5-7	1	R 458
AA0679	CF RES 0W25 1K8 J 2,5-7	1	R 432
AA0681	CF RES 0W25 2K2 J 2,5-7	1	R 555
AA0683	CF RES 0W25 2K7 J 2,5-7	1	R 145
AA0685	CF RES 0W25 3K3 J 2,5-7	1	R 550 SMA200
AA0687	CF RES 0W25 3K9 J 2,5-7	1	R 425
AA0689	CF RES 0W25 4K7 J 2,5-7	1	R 166 303 523 532 534 542 543 544 545 546
AA0689	CF RES 0W25 4K7 J 2,5-7	1	R 547 551 087
AA0695	CF RES 0W25 8K2 J 2,5-7	1	R 228
AA0697	CF RES 0W25 10K J 2,5-7	1	R 224 509 311 333 377 525 565 558 594 378
AA0697	CF RES 0W25 10K J 2,5-7	1	R 377 378 SMA200
AA0697	CF RES 0W25 10K J 2,5-7	1	J 106 SMA181
AA0699	CF RES 0W25 12K J 2,5-7	1	R 214 453
AA0701	CF RES 0W25 15K J 2,5-7	1	R 406
AA0703	CF RES 0W25 18K J 2,5-7	1	R 548 549 SMA200
AA0709	CF RES 0W25 33K J 2,5-7	1	R 176
AA0713	CF RES 0W25 47K J 2,5-7	1	R 215
AA0721	CF RES 0W25 100K J 2,5-7	1	R 554 237
AA0725	CF RES 0W25 150K J 2,5-7	1	R 324
AA0729	CF RES 0W25 220K J 2,5-7	1	R 414
AA0745	CF RES 0W25 1M0 J 2,5-7	1	R 187 233
AA0755	CF RES 0W25 2M7 J 2,5-7	1	R 390
AA0761	CF RES 0W25 4M7 J 2,5-7	1	R 100 102 334
AB0585	NF RES 0W25 0R22 J 2,5-7 CF	2	R 167 SMA200
AB0585	NF RES 0W25 0R22 J 2,5-7 CF	2	R 162 318
AB0593	NF RES 0W25 0R47 J 2,5-7 CF	1	R 411
AB0595	NF RES 0W25 0R56 J 2,5-7 CF	1	R 132 134
AB0601	NF RES 0W25 1R0 J 2,5-7 CF	1	R 133
AB0609	NF RES 0W25 2R2 J 2,5-7 CF	1	R 281
AB0617	NF RES 0W25 4R7 J 2,5-7 CF	1	R 442 443
AB0621	NF RES 0W25 6R8 J 2,5-7 CF	1	R 110
AB0625	NF RES 0W25 10R J 2,5-7 CF	1	R 408 222
AB0629	NF RES 0W25 15R J 2,5-7 CF	1	R 361 SMA200
AB0637	NF RES 0W25 33R J 2,5-7 CF	1	RA 129
AB0801	NF RES 0W5 1R0 J 4-11 CF	2	R 424
AC1681	CHIPRES OW12 681K F TC100 1206	1	R 401
AC3292	CHIPRES 1K0 OW1 1% 0805	1	R 371 SMA200
AC3334	CHIPRES 2K74 OW1 1% 0805	1	R 108
AC3356	CHIPRES 4K64 OW1 1% 0805	1	R 261
AC3356	CHIPRES 4K64 OW1 1% 0805	1	R 004
AC3366	CHIPRES 5K90 OW1 1% 0805	1	R 518
AC3388	CHIPRES 10K0 OW1 1% 0805	1	R 260
AC3388	CHIPRES 10K0 OW1 1% 0805	1	R 005
AC3405	CHIPRES 15K0 OW1 1% 0805	1	R 566
AC3411	CHIPRES 17K4 OW1 1% 0805	1	R 567
AC3421	CHIPRES 22K1 OW1 1% 0805	1	R 255 259
AC3421	CHIPRES 22K1 OW1 1% 0805	1	R 006
AC3460	CHIPRES 56K2 OW1 1% 0805	1	R 250
AC3559	CHIPRES OW1 39K0 1% 0805 2013	1	R 254
AC3559	CHIPRES OW1 39K0 1% 0805 2013	1	R 003
AC4400	CHIPRES OW1 0R0 5% 0805 2013	1	J 801 803 804 805 806 807 809 810
AC4400	CHIPRES OW1 0R0 5% 0805 2013	1	J 814 815 816 817 818 819 820
AC4400	CHIPRES OW1 0R0 5% 0805 2013	1	J 822 823 824 826 828 829 830
AC4400	CHIPRES OW1 0R0 5% 0805 2013	1	J 831 832 833
AC4400	CHIPRES OW1 0R0 5% 0805 2013	1	J 811 813 SMA200
AC4403	CHIPRES OW1 1R2 5% 0805 2013	1	R 379
AC4425	CHIPRES OW1 10R 5% 0805 2013	1	R 350 410 419 097 211
AC4433	CHIPRES OW1 22R 5% 0805 2013	1	R 309 310 316 441 278
AC4443	CHIPRES OW1 56R 5% 0805 2013	1	R 366 SMA200
AC4449	CHIPRES OW1 100R 5% 0805 2013	1	R 127 305 339 340 444 445 446 447 448 449
AC4449	CHIPRES OW1 100R 5% 0805 2013	1	R 570 571
AC4453	CHIPRES OW1 150R 5% 0805 2013	1	R 207
AC4457	CHIPRES OW1 220R 5% 0805 2013	1	R 093 094 407 529 317
AC4461	CHIPRES OW1 330R 5% 0805 2013	1	R 439
AC4465	CHIPRES OW1 470R 5% 0805 2013	1	R 138 150 190 192 423 223 229
AC4471	CHIPRES OW1 820R 5% 0805 2013	1	R 105
AC4473	CHIPRES OW1 1K0 5% 0805 2013	1	R 096 118 144 430 172 210 193 199 502 503
AC4473	CHIPRES OW1 1K0 5% 0805 2013	1	R 326 327 337 358 440 510 519 522
AC4475	CHIPRES OW1 1K2 5% 0805 2013	1	R 209 206
AC4477	CHIPRES OW1 1K5 5% 0805 2013	1	R 131 352 413 170
AC4477	CHIPRES OW1 1K5 5% 0805 2013	1	R 365 SMA200
AC4481	CHIPRES OW1 2K2 5% 0805 2013	1	R 306 314 346 364 508 514 557 320
AC4481	CHIPRES OW1 2K2 5% 0805 2013	1	R 183 561 197 338
AC4481	CHIPRES OW1 2K2 5% 0805 2013	1	R 364 SMA200
AC4483	CHIPRES OW1 2K7 5% 0805 2013	1	R 107 552 553
AC4487	CHIPRES OW1 3K9 5% 0805 2013	1	R 124
AC4489	CHIPRES OW1 4K7 5% 0805 2013	1	R 171 205 213 249 304 313 409 418 506 507
AC4489	CHIPRES OW1 4K7 5% 0805 2013	1	R 511 512 513 515 516 530 535 556
AC4489	CHIPRES OW1 4K7 5% 0805 2013	1	R 146 501
AC4491	CHIPRES OW1 5K6 5% 0805 2013	1	R 244 245 252 253
AC4491	CHIPRES OW1 5K6 5% 0805 2013	1	R 363 SMA200
AC4493	CHIPRES OW1 6K8 5% 0805 2013	1	R 106 246 202
AC4497	CHIPRES OW1 10K 5% 0805 2013	1	R 125 141 177 191 195 212 219 234 247 248
AC4497	CHIPRES OW1 10K 5% 0805 2013	1	R 301 302 328 331 539 540 541 084

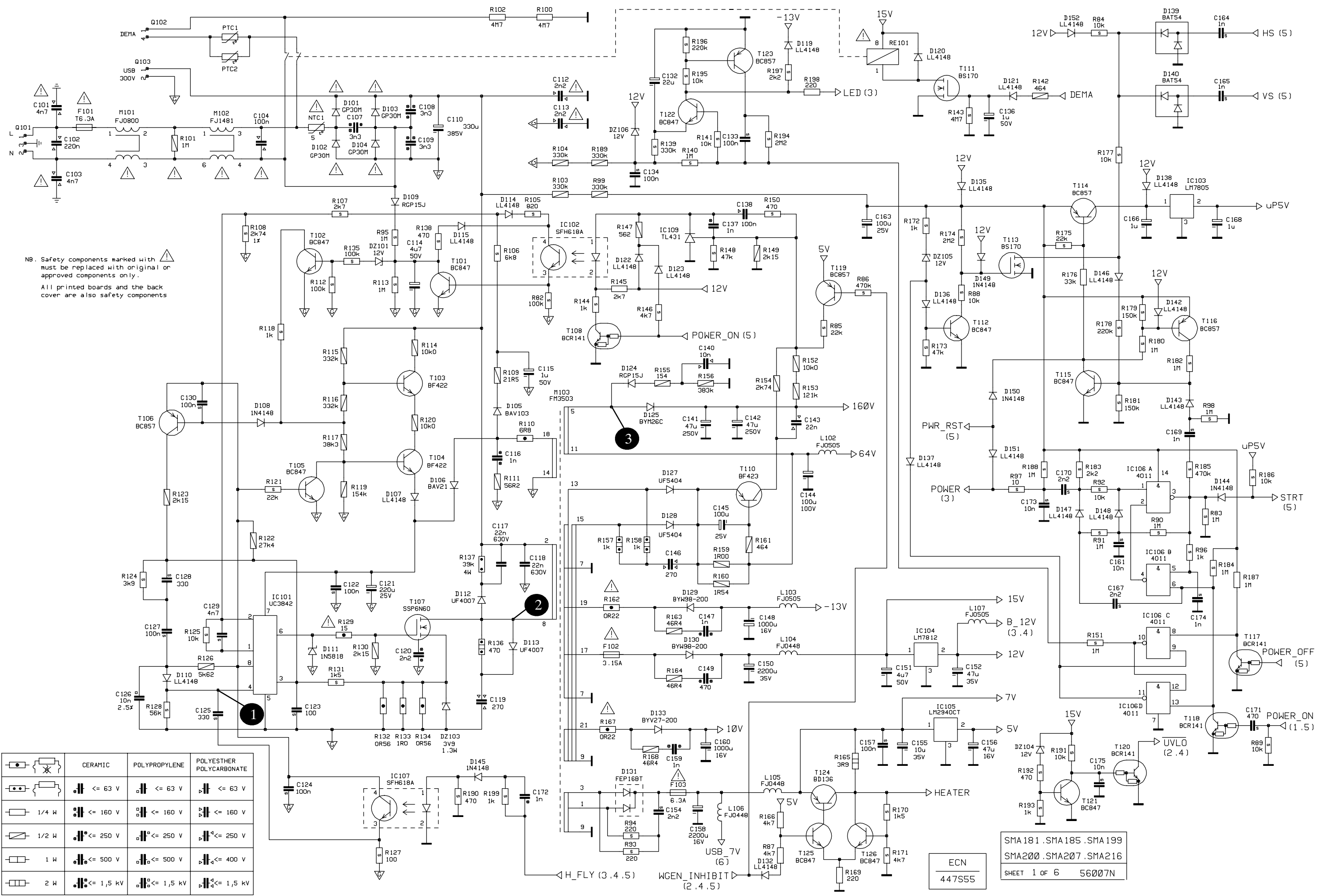
Part Number	Description	PG	Item Number
AC4497	CHIPRES OW1 10K 5% 0805 2013	1	R 403 416 336 517 088 089 092 384 559
AC4497	CHIPRES OW1 10K 5% 0805 2013	1	R 399 572 573 186 564 575 536 537 538
AC4497	CHIPRES OW1 10K 5% 0805 2013	1	R 362 373 374 375 376 SMA200
AC4499	CHIPRES OW1 12K 5% 0805 2013	1	R 208 452 220 330
AC4501	CHIPRES OW1 15K 5% 0805 2013	1	R 415 420 574 404
AC4505	CHIPRES OW1 22K 5% 0805 2013	1	R 121 175 085 240 226 393 451 521
AC4507	CHIPRES OW1 27K 5% 0805 2013	1	R 241 242 243 256 257
AC4509	CHIPRES OW1 33K 5% 0805 2013	1	R 402 562
AC4513	CHIPRES OW1 47K 5% 0805 2013	1	R 148 173 221 239 595 386 387 460 355
AC4513	CHIPRES OW1 47K 5% 0805 2013	1	R 568 227
AC4515	CHIPRES OW1 56K 5% 0805 2013	1	R 128 218 312
AC4517	CHIPRES OW1 68K 5% 0805 2013	1	R 216
AC4519	CHIPRES OW1 82K 5% 0805 2013	1	R 335
AC4521	CHIPRES OW1 100K 5% 0805 2013	1	R 112 135 526 351 563 455 456 082
AC4523	CHIPRES OW1 120K 5% 0805 2013	1	R 203
AC4525	CHIPRES OW1 150K 5% 0805 2013	1	R 179 181
AC4527	CHIPRES OW1 180K 5% 0805 2013	1	R 235
AC4529	CHIPRES OW1 220K 5% 0805 2013	1	R 178 196 230 345 348
AC4533	CHIPRES OW1 330K 5% 0805 2013	1	R 139 576
AC4537	CHIPRES OW1 470K 5% 0805 2013	1	R 185 319 394 560 086
AC4539	CHIPRES OW1 560K 5% 0805 2013	1	R 204
AC4543	CHIPRES OW1 820K 5% 0805 2013	1	R 251
AC4545	CHIPRES OW1 1M0 5% 0805 2013	1	R 095 098 113 140 151 180 182 184 188
AC4545	CHIPRES OW1 1M0 5% 0805 2013	1	R 083 527 356 090 091 569 577 357
AC4551	CHIPRES OW1 1M8 5% 0805 2013	1	R 325
AC4553	CHIPRES OW1 2M2 5% 0805 2013	1	R 174 194 385 388 389
AC4561	CHIPRES OW1 4M7 5% 0805 2013	1	R 143
AC4569	CHIPRES OW1 10M 5% 0805 2013	1	R 533
AC8799	CHIPRES OW12 0R0 JUMPER 1206	1	J 812 821 825 827
AD0373	COMPRES OW5 1K0 K 4-11	1	R 332
AD0433	COMPRES OW5 330K K 4-11	1	R 099 103 104 189
AD0445	COMPRES OW5 1M0 K 4-11	1	R 101
AG3101	MF RES OW5 1R00 F TC200 2,5-7	1	R 159 279
AG3119	MF RES OW5 1R54 F TC200 2,5-7	1	R 160
AG3165	MF RES OW5 4R64 F TC200 2,5-7	1	R 454
AG3201	MF RES OW5 10R0 F TC50 2,5-7	1	R 341
AG3233	MF RES OW5 21R5 F TC50 2,5-7	1	R 109 437
AG3265	MF RES OW5 46R4 F TC50 2,5-7	1	R 163 164 347
AG3265	MF RES OW5 46R4 F TC50 2,5-7	1	R 168 SMA200
AG3273	MF RES OW5 56R2 F TC50 2,5-7	1	R 111
AG3301	MF RES OW5 100R F TC50 2,5-7	1	R 315
AG3319	MF RES OW5 154R F TC50 2,5-7	1	R 155
AG3343	MF RES OW5 274R F TC50 2,5-7	1	R 280
AG3365	MF RES OW5 464R F TC50 2,5-7	1	R 161 343 142
AG3373	MF RES OW5 562R F TC50 2,5-7	1	R 147
AG3373	MF RES OW5 562R F TC50 2,5-7	1	R 001 002
AG3401	MF RES OW5 1K00 F TC50 2,5-7	1	R 329
AG3401	MF RES OW5 1K00 F TC50 2,5-7	1	R 380 SMA200
AG3433	MF RES OW5 2K15 F TC50 2,5-7	1	R 123 130 149 344
AG3433	MF RES OW5 2K15 F TC50 2,5-7	1	R 381
AG3433	MF RES OW5 2K15 F TC50 2,5-7	1	R 154 SMA181
AG3443	MF RES OW5 2K74 F TC50 2,5-7	1	R 154
AG3465	MF RES OW5 4K64 F TC50 2,5-7	1	R 435 436
AG3473	MF RES OW5 5K62 F TC50 2,5-7	1	R 126 272 277
AG3489	MF RES OW5 8K25 F TC50 2,5-7	1	R 307
AG3501	MF RES OW5 10K0 F TC50 2,5-7	1	R 114 120 152
AG3501	MF RES OW5 10K0 F TC50 2,5-7	1	R 368 SMA200
AG3509	MF RES OW5 12K1 F TC50 2,5-7	3	R 270 271 349
AG3543	MF RES OW5 27K4 F TC50 2,5-7	1	R 122 232
AG3551	MF RES OW5 33K2 F TC50 2,5-7	1	R 231
AG3557	MF RES OW5 38K3 F TC50 2,5-7	1	R 431 434 117
AG3565	MF RES OW5 46K4 F TC50 2,5-7	1	R 308
AG3589	MF RES OW5 82K5 F TC50 2,5-7	1	R 323 405
AG3609	MF RES OW5 121K F TC50 2,5-7	1	R 153
AG3619	MF RES OW5 154K F TC50 2,5-7	1	R 119
AG3651	MF RES OW5 332K F TC50 2,5-7	1	R 116 115
AG3657	MF RES OW5 383K F TC50 2,5-7	1	R 156 412
AJ2323	MO RES 2W0 1R5 J 6-17	1	R 372 SMA200
AJ2363	MO RES 2W0 2R2 J 6-17	2	R 429
AJ2423	MO RES 2W0 3R9 J 6-17	3	R 165
AJ2463	MO RES 2W0 5R6 J 6-17	2	R 417 428
AJ2523	MO RES 2W0 10R J 6-17	2	R 422
AJ2603	MO RES 2W0 22R J 6-17	2	R 438
AJ2763	MO RES 2W0 100R J 6-17	2	R 426
AJ2923	MO RES 2W0 470R J 6-17	2	R 136
AJ3003	MO RES 2W0 1K0 J 6-17	2	R 157 158
AJ3385	MO RES 4W0 39K J 9-22	3	R 137
AQ2219	TPMET.AA H10 47K RM 5X10 6-HOLE	3	RT 301 401
AQ2740	TPMET.AA V10 4K7 RM5X2,5 6-HOLE	3	RT 403
AQ2745	TPMET.AA V10 10K RM5X2,5 6-HOLE	1	RT 402
AW0079	PTC-THERMISTOR 18R/25°C RM5	7	PTC 001 002
AW0111	NTC-THERMISTOR 5R0/25°C RM5+2,5	7	NTC 001
CA0322	CERCAP Y5P 2N2 K 1KV Y5: D10	2	C 318
CA0324	CERCAP Y5P 100P K 1KV Y5 D8 L	2	C 323 418
CB3059	CHIPCAP NP0 220P G 50V 0805	2	C 403
CB3129	CHIPCERCAP NP0 15P 50V J 0805	3	C 517 518
CB3133	CHIPCERCAP NP0 22P 50V J 0805	1	C 339 533
CB3141	CHIPCERCAP NP0 47P 50V J 0805	1	C 531 551 406 407


Part Number	Description	PG	Item Number
CB3145	CHIPCERCAP NP0 68P 50V J 0805	1	C 302
CB3151	CHIPCERCAP NP0 100P 50V J 0805	1	C 123 301 303 313 534 240 241
CB3155	CHIPCERCAP NP0 150P 50V J 0805	1	C 535
CB3161	CHIPCERCAP NP0 270P 50V J 0805	1	C 416
CB3161	CHIPCERCAP NP0 270P 50V J 0805	1	C 003
CB3163	CHIPCERCAP NP0 330P 50V J 0805	1	C 128 125 314 501
CB3167	CHIPCERCAP NP0 470P 50V J 0805	2	C 171 360 361 362
CB3171	CHIPCERCAP NP0 680P 50V J 0805	1	C 212
CB3175	CHIPCERCAP NP0 1N0 50V J 0805	3	C 164 165 169 217 174 237 242 308 315
CB3175	CHIPCERCAP NP0 1N0 50V J 0805	3	C 358
CC0110	CERCAP Y5P 150P K 500V Y5: D8	1	C 419
CC0130	CERCAP Y5P 220P K 500V Y5: D8	1	C 328
CC0170	CERCAP Y5P 470P K 500V Y5: D8	1	C 149
CC0200	CERCAP Y5P 1N0 K 500V Y5: D9	1	C 116 147 172
CC0200	CERCAP Y5P 1N0 K 500V Y5: D9	1	C 159
CC0204	CERCAP Y5P 1N0 K 50V Y5: D6	1	C 137
CC0240	CERCAP Y5P 2N2 K 500V Y5: D9	1	C 437 417
CC0240	CERCAP Y5P 2N2 K 500V Y5: D9	1	C 120
CC0513	CERCAP Y5V 3N3 S 1KV Y7.5 D14	2	C 107 108 109
CC0530	CERCAP Z5U 4N7 S 500V Y5: D9	1	C 420
CC3220	CHIPCERCAP X7R 1N5 10% 50V 0805	1	C 355 356
CC3240	CHIPCERCAP X7R 2N2 10% 50V 0805	1	C 154 167 170
CC3240	CHIPCERCAP X7R 2N2 10% 50V 0805	1	C 346 347
CC3280	CHIPCERCAP X7R 4N7 10% 50V 0805	1	C 129 234 325 338
CC3320	CHIPCERCAP X7R 10N 10% 50V 0805	1	C 173 161 205 214 219 220 221 222 223 224
CC3320	CHIPCERCAP X7R 10N 10% 50V 0805	1	C 304 329 404 512 202 539 175
CC3360	CHIPCERCAP X7R 22N 10% 50V 0805	1	C 343
CC4320	CHIPCAP X7R 10N K 50V 1206	1	C 204
CC4400	CHIPCAP X7R 47N K 50V 1206	2	C 210 211 502 515 523
CC4855	CHIPCAP Y5V 100N Z 50V 1206	3	C 122 124 127 130 133 209 216 227 232 316
CC4855	CHIPCAP Y5V 100N Z 50V 1206	3	C 321 402 424 431 432
CC4855	CHIPCAP Y5V 100N Z 50V 1206	3	C 433 434 435 436 442 503 522 529 552
CC4855	CHIPCAP Y5V 100N Z 50V 1206	3	C 244 157 445 536 538 134 334
CC4855	CHIPCAP Y5V 100N Z 50V 1206	3	C 342 345 351 352
CE0083	X2-CAP 220N M 275VAC Y22.5	8	C 102
CE0116	Y-CAP 2N2 M 400VAC Y12.5 SDPJ16	4	C 112 113
CE0126	Y-CAP 4N7 M 400VAC Y12.5 SDPJ21	4	C 101 103
CE0210	X2-CAP 100N M 250VAC Y15	5	C 104
CE2034	IMPCAP 270P K 1K5V Y15 051118	4	C 146 119
CE2094	IMPCAP 820P K 1K5V Y15 061218	4	C 307
CE2196	IMPCAP 2N2 J 2KV Y22.5 081628	6	C 414 413
CE2751	IMPCAP 42N J 400V Y15 061318	4	C 411
CE2801	IMPCAP 51N J 400V Y15 SING.MET	3	C 439 425
CE2802	IMPCAP 51N J 400V Y15 081418	3	C 415
CE2931	IMPCAP 100N J 250V Y15 081418	4	C 426
CE2933	IMPCAP 100N K 400V Y15 091518	4	C 438 421
CE3010	IMPCAP 200N J 250V Y22.5	6	C 427
CE3088	IMPCAP 400N J 250V Y22.5	7	C 428
CE3180	IMPCAP 800N J 250V Y22.5	10	C 429
CE3270	IMPCAP 1600N J 250V Y27.5	12	C 430
CG2717	PPRCAP KP 10N H 63V Y5: 060808	3	C 126
CK0163	PESCAP MKT 22N K 250V Y10 051113	2	C 408
CK0165	PESCAP MKT 22N K 630V Y10 061213	2	C 117 118
CK0341	PESCAP MKT 220N K 100V Y10 051113	3	C 233
CK1388	PESCAP MKT 10N K 250V Y7.5 040911	2	C 305 140
CK1468	PESCAP MKT 22N K 250V Y7.5 051011	2	C 143
CK1468	PESCAP MKT 22N K 250V Y7.5 051011	2	C 446
CK2464	PESCAP MKT 22N K 63V Y5: 030708	2	C 206 530
CK2545	PESCAP 47N K 63V Y5: 030708	2	C 312 324
CK2626	PESCAP MKT 100N K 63V Y5: 030808	2	C 138 336 410 326 243
CK2626	PESCAP MKT 100N K 63V Y5: 030808	2	C 353 354
CK2663	PESCAP MKT 150N J 63V Y5: 040908	3	C 225
CK2704	PESCAP MKT 220N K 63V Y5: 040908	3	C 310
CK2784	PESCAP MKT 470N K 63V Y5: 051008	3	C 228 322
CK2784	PESCAP MKT 470N K 63V Y5: 051008	3	C 349
CN0095	ELCAP 330U M 385V RM10 30 X 45	4	C 110
CN0819	ELCAP 2200U M 25V RM7.5 105'17X38	5	C 150
CN2017	ELCAP 1U0 M 50V RM5: 105' 6X12	2	C 115 136 166 168 317 319 327 320
CN2032	ELCAP 10U M 50V RM5: 105' 6X12	1	C 155 311 405 514 238 526 537 444
CN2032	ELCAP 10U M 50V RM5: 105' 6X12	1	C 344
CN2037	ELCAP 10U M 160V RM5 105' 11X21	4	C 422 218
CN2228	ELCAP 4U7 M 200V RM5 105' 10X12.5	5	C 236
CN2232	ELCAP 4U7 M 200V RM5 105' 10X20	4	C 440
CN2372	ELCAP 22UF M 35V RM5: 105' 6X12	3	C 132
CN2435	ELCAP 47U M 35V RM5: 105' 9X12	2	C 152 156 208 226
CN2476	ELCAP 47U M 250V RM7.5 105'17X26	9	C 141 142 306
CN2523	ELCAP 100U M 25V RM5 :105' 9*14	3	C 163
CN2543	ELCAP 100U M 50V RM5 105' 11X13	2	C 215 145 401 230
CN2546	ELCAP 100UF M 100V RM5 105' 14X21	5	C 144
CN2553	ELCAP 0U47F M 50V RM5: 105' 6X12	1	C 213 309
CN2563	ELCAP 2U2F M 50V RM5: 105'5X12MM	2	C 423 505 506 507 508 509 510 511 513
CN2563	ELCAP 2U2F M 50V RM5: 105'5X12MM	2	C 528 520 521 201 235
CN2566	ELCAP 4U7F M 50V RM5: 105'6X12MM	2	C 151 203 114 333
CN2566	ELCAP 4U7F M 50V RM5: 105'6X12MM	2	C 001 002
CN2575	ELCAP 22UF M 16V RM5: 105'6X13MM	1	C 516
CN2576	ELCAP 220U M 16V RM5: 105'11X13	2	C 341
CN2581	ELCAP 220U M 35V RM5 105' 11X13	3	C 229 231
CN2581	ELCAP 220U M 35V RM5 105' 11X13	3	C 121

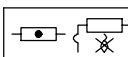
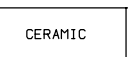
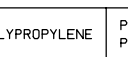
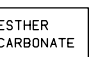
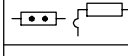
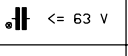
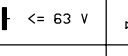
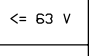
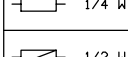
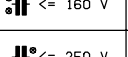
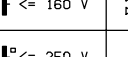
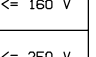
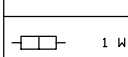
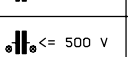
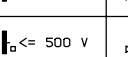
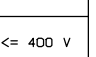
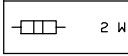
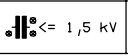
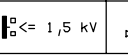
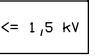
Part Number	Description	PG	Item Number
CN2712	ELCAP 1000U M 16V RM5: 105'11X21	5	C 148
CN2712	ELCAP 1000U M 16V RM5: 105'11X21	5	C 160 350
CN2749	ELCAP 2200U M 16V RM5 105' 14X26	4	C 158
CN3150	ELCAP 4U7 M 50V RM5 105'05 X11	1	C 443
CN3402	ELCAP,1000U M 16V RM5 +105'13X34	12	C 412
FA4000	CHIP INDUCTOR 600OHM 200MA 0805	1	FR 301 302 303
FA4000	CHIP INDUCTOR 600OHM 200MA 0805	1	FR 002
FJ0448	CHOKO 13UH FERRITE 2X15	2	L 104 105
FJ0505	CHOKO 15UH 5% TAPED AXIAL	2	L 102 103 107 201 301
FJ0505	CHOKO 15UH 5% TAPED AXIAL	2	L 501
FJ0505	CHOKO 15UH 5% TAPED AXIAL	2	FR 401 402
FJ0725	BEAD INDUCTOR MIN IMP360HM	2	L 404
FJ0730	LEAD INDUCTOR 270UH 10%	5	M 101
FJ0800	EMI/RFI CHOKO 60MH 3A(AC)	14	M 102
FJ1481	INPUT CHOKO E30/7 22MH	12	M 404
FJ3000	INPUT CHOKO E25/7 972UH 445R	13	M 301
FM0629	FLYBACK TRAFO 30..90KHZ 3NF 445R	37	M 401
FM2521	DRIVER TRAFO E20/6 445X	12	M 403
FM2560	DYNAMIC FOCUS TRAFO E20/6 445R	12	M 402
FM2566	CENTERING COIL E25/7 1.35MH 447S	11	M 103
FM3503	SMPS-TRAFO ETD49 447S	19	M 402
FU0723	FIXED LIN.COIL W/DC-COIL N-S 447S	14	L 403
FU0724	FIXED LIN.COIL W/DC-COIL S-N 447S	14	L 411
JB0042	DI BY459X 1500V 10A 0.25/0.5USFI	13	D 101 103 104 102
JB0047	DI GP30M 1000V 3A 3.0US DO201AD	4	D 108 150 149 145 206 208 302 403 427 144
JF0025	DI 1N4148 75V 200MA 4N	1	D 112 113
JF0032	DI UF4007 1000V 1A 75N DO41/SOD57	4	D 409 127 128
JF0033	DI UF5404 400V 3A 50NS DO201AD	4	D 306
JF0034	DI UF5406 600V 3A 75N	9	D 207
JF0060	DI 1N4002 100V 1A	1	D 426
JF0062	DI BA159 1000V 400MA 500N	2	D 106 204
JF0072	DI BAV21 200V 250MA 50N	1	D 412 414 417 419 420 421 422 423 424
JF0073	DI RGP10G 400V 1A 150N	4	D 425
JF0073	DI RGP10G 400V 1A 150N	4	D 109 124
JF0074	DI RGP15J 600V 1.5A 250N	7	D 408
JF0096	DI BYV28-100 100V 3.5A 30N	7	D 131
JF0101	DI FEP16BT 100V 20A 35N	12	D 133
JF0104	DI BYV27-200 200V 2A 25N SOD57	3	D 129 404
JF0166	DIODE BYM26C 600V 2.3A SOD-64	6	D 111 202 203
JF0168	DIODE BYW98-200 200V 3A DO-27A !	4	D 105
JF0168	DIODE BYW98-200 200V 3A DO-27A !	4	D 107 110 114 115 119 120 121 122 123 135
JF0206	SCHOTTKY RECTIFIER 30V 1A 1N5818	4	D 136 137 138 209 142 143 201 205 301 303
JF4003	DI BAV103 200V 250MA 50NS SOD-80	7	D 304 305 314 315 316 317 318 401 402 405
JF4005	DI LL4148 75V 150MA 4N (JF4006)	1	D 406 407 415 416 418 428 429 507 508 146
JF4005	DI LL4148 75V 150MA 4N (JF4006)	1	D 147 148 430 431 132 432 151 504 152 307
JF4005	DI LL4148 75V 150MA 4N (JF4006)	1	D 308
JF4011	SCHOTTKY BARRIER 30V 200MA SOT-23	3	D 139 140
JH0053	ZDI BZX83C5V6 5.6V 0.5W 5%	1	FOL
JH0054	ZDI BZX83C12 12V 0.5W 5%	1	DZ 106 301 401 402
JH0081	ZDI ZPY 3.9 3.9V 1.3W 5%	1	DZ 103
JH0086	ZDI BZX83C4V7 4.7V 0.5W 5%	2	DZ 502 503
JH0087	ZDI BZX83C5V1 5.1V 0.5W 5%	3	DZ 501
JH0095	ZDI BZX79B12 12V 0.5W 2%	3	DZ 101 104 105
JL0059	LED GREEN TLHG6205 5MM	1	LED 001
JL0069	OPTOCOUPLER VRMS 5KV	4	IC 102 107
JM0099	TR BC547B N 45V 100A 200M:	1	T 301 305 307 402
JM0100	TR BC557B P 45V 100A 200M:	1	T 302 306 403 425
JM0205	TR BF423 P 250V 25MA 60M:	3	T 110 205 314 404
JM0239	TR BC638 P 60V 1A 50M:	4	T 317
JM0244	TR BF422 N 250V 25MA 60M: TO92	2	T 103 104 206 311 315 408 412
JM0252	TR BC639-10 N 100V 1.5A TO92	2	T 318 421
JM0253	TR MPS2222A N 40V 600MA 300M	3	T 316
JM0273	TR 2N5551 NPN 160V 0.6A	2	T 312 313
JM0280	TR 2N5401 P 150V 0.6A 100M	2	T 409
JM0334	TR BD135 NPN 45V 1A5 250MHZ TO126	4	T 411
JM0335	TR BD136 PNP 45V 1A5 250MHZ TO126	4	T 124 414
JM0341	TR BUH1215(435B) N 1500V 19ATO218	19	T 407
JM4105	TR BC847B N 45V 0.1A SOT23	4	T 101 102 105 112 115 121 122 125 126 201
JM4105	TR BC847B N 45V 0.1A SOT23	4	T 309 401 413 422
JM4114	TR BC857B P 45V 100MA 150M:	2	T 106 114 116 123 202 308 310 423
JM4114	TR BC857B P 45V 100MA 150M:	2	T 503 504 506 119
JM4401	TR BCR141W 50V 0.1A (2X22K)SOT323	2	T 108 117 118 120 505 507
JS0030	FET IRF620 200V 5A 0.8R TO-220	7	T 415
JS0051	FET IRF9540 P 100V 19A 0.2R TO220	14	T 406
JS0058	FET IRF9620 P 200V 1R5 3A TO220FI	10	T 303 405
JS0063	FET IRFIB30G N 800V 2.1A 3R0 220	23	T 304
JS0071	FET IRFIBC40G N 600V 3.5A 1.2R	9	T 107
JS1006	FET BS170 N 60V 500MA	10	T 111 113
JS2001	FETARRAY SLA5038 N 5X150V 7A 0R23	10	IC 402
JZ0005	SILICONE INSUL. PAD 19*13*0.22MM	1	IC 104 105 203
JZ0005	SILICONE INSUL. PAD 19*13*0.22MM	1	D 131
JZ0010	SILICONE INSUL. 20*25*0.22MM	8	T 407
JZ0012	SILICONE INSUL. 22*30*0.22MM	4	IC 306
LM0067	IC UA7805UC +5V REGULATOR TO-220	13	IC 103
LM0256	IC 7812 +12V REGULATOR TO-220	4	IC 104

Part Number	Description	PG	Item Number	
LM0455	IC LM358N DUAL OP-AMP DIL-8	6	IC 302	
LM0547	IC TDA1013B AUDIO POWER AMPL SIL9	11	IC 305	SMA200
LM0603	IC LM2940CT LOW DROP REG.5V TO220	8	IC 105	
LM0763	IC UC3842 CURRENT MODE PWM CONT.	12	IC 101	
LM0927	IC TDA7057AQ AUDIO AMP.2X3W 13PIN	14	IC 306	SMA200
LM0930	IC STV9379 VERT.DEFL.BOOSTER	15	IC 203	
LM0937	IC TDA9105 DEFLECTION PROCESSOR	20	IC 201	
LM0938	IC ST72E72 MONITOR UC.DDC DIP-56	34	IC 501	
LM0942	IC TL431 VOLTAGE REFERENCE TO-92	16	IC 109 508	
LM0945	IC 24C64 SERIAL EEPROM 8X8K DIP-8	16	IC 504	
LM1008	IC ST7272 8-BIT MCU 24K ROM LCF			
LM4017	IC 74HCT02 QUAD 2-INPUT NOR SO-14	4	IC 502	
LM4022	IC 74HCT74 DUAL D-FLIP-FLOP SO-14	5	IC 503	
LM4101	IC 4053B MUX/DEMUX ANAL.3X2-CHAN	7	IC 505	
LM4104	IC 4011B 4X2-INPUT NAND SO-14	4	IC 106	
LM4111	IC 4538BT	5	IC 301 401	
LM4208	IC 74HC86 2-INPUT EXCL. OR SO-14	4	IC 202	
LM4406	IC LM324 QUAD OP-AMP SO-14	5	IC 304	
LZ0003	IC-SOCKET 8-POLE DIL SINGLE LEAF	3	IC 504	
LZ0063	IC-SOCKET 56-POLE DUAL LEAF 1.78	10	IC 501	
QA0095	CRYSTAL 8.00 MHZ HC-49/U	4	XT 501	
QG0309	PUSH-BUTTON SWITCH 12V 50MA MOM.	3	SW 001 002 003 004 005	
QH0065	RELAY PCB-MOUNTING 12V 5A/250V	12	RE 101	
QK1035	CABLE SHOE 160101-2	2		
QK1035	CABLE SHOE 160101-2	2	003	
QK1104	IDC WIRE CONN 1X04 2,5	3		
QK1224	ROW CONN 1X04 2,5 VERT STG LOCK	2	Q 303 302	SMA200
QK1285	ROW CONN 1X05 5,08/7,62 VERT/LOCK	3	Q 102	
QK1415	CRIPLET CONN FOR 2-SIDED PCB	1	Q	
QK1446	WIRE TERMINAL FOR 1,85MM HOLES	1		
QK1446	WIRE TERMINAL FOR 1,85MM HOLES	1	003	
QK1446	WIRE TERMINAL FOR 1,85MM HOLES	1	002	SMA200
QK1446	WIRE TERMINAL FOR 1,85MM HOLES	1	003	
QK1464	"ROW CONN ""JST"" 1X03 2,5 VERT"	4	Q 301	
QK1490	MINIATURE JACK 3.5MM VERT GREY 7W	2	Q 003 002	SMA200
QK1494	CONN PLUG FOR DY W-P3005-01	4	Q 201	
QK1495	CONN PLUG FOR DY CM16506-0101	4	Q 401	
QK1571	GROUNDING SHEET CONN.	1	002	
QK1571	GROUNDING SHEET CONN.	1	003	
QK1587	COOLING & SUPP.PART FOR RESISTOR	1	R 137 136	
QK1599	COOLING & SUPP.PART FOR RES L12MM	1	NTC 001	
QK1632	ROW CONN 1X02 2,5 V STGLOCK SNAP	2	Q 402	
QK1635	ROW CONN 1X05 2,5 V STGLOCK SNAP	2	Q 305	
QK1650	MAINS CONN MALE 90DEG W/PCB SNAPS	8	Q 101	
QK1651	"BLADE CONNECTOR ""MIKROLOK"" 6,3MM"	1	002	
QK1651	"BLADE CONNECTOR ""MIKROLOK"" 6,3MM"	1	003	
QK1651	"BLADE CONNECTOR ""MIKROLOK"" 6,3MM"	1	002	
QK1651	"BLADE CONNECTOR ""MIKROLOK"" 6,3MM"	1	002	
QK1694	RCA JACK UNIT 2X6.3MM R/W PCB90	8	Q 308	SMA200
QK1701	PICOFLEX HEADER 1X04 1,27MM	3	Q 309	
QK1703	PICOFLEX HEADER 1X08 1,27MM	3	Q 304	SMA200
QK1712	PIN JACK 3,6MM MONO H=6,5MM	3	Q 307	SMA200
QM1011	PICOFLEX ASSY BI-IDC 4-POS 220MM	7	Q 004	
QM1013	PICOFLEX ASSY BI-IDC 10-POS 400MM	10	Q 202	
QM1019	PICOFLEX ASSY BI-IDC 16-POS 420MM	11	Q 502	
QM1020	PICOFLEX ASSY BI-IDC 8-POS 200MM	7	Q 001	SMA200

Part Number	Description	PG	Item Number	
QP0001	MICROPH.ELECT.COND.D=9.7MM -44DB	7	MZ 001	SMA200
QT0002	SPARK GAP 1,2KV +-500V R=5,0MM	3	GL 302 303	
QT0102	FUSEHOLDER CLIPS 5*20MM R=5,0MM	1	F 101 101	
QT0207	GLIMM LAMP 95V 6*12,5MM	4	GL 301	
QT0733	FUSE R=5,0MM T 3,15A 250V IEC127	4	F 102	
QT0735	FUSE R=5,0MM T 6,3A 125V UL198G	5	F 103	
QT0775	FUSE 5*20MM T 6,3A 250V 1500A	3	F 101	
SE1134	GROUNDING WIRE PN454	1	FOL	
SE2185	GROUNDING WIRE 7752	6		
SE2601	GROUNDING WIRE 449M	4		
SE2627	MICROPHONE WIRE 447K	9		SMA200
SE2635	GROUNDING WIRE 447P	6		SMA200
SE2651	GROUNDING WIRE 445R	6		
SE2679	GROUNDING WIRE 447S	4		
SE2691	GROUNDING WIRE 447Z,S	3		
SE2706	AUDIO CABLE 447Z/447S	10		SMA200
UC0859	FASTENING SPRING PN44473	2	T 303 304 405	
UC0859	FASTENING SPRING PN44473	2	IC 104 105	
UC0859	FASTENING SPRING PN44473	2	D 131	
UC1140	COOLING PLATE PN45154 COPPER	2	T 303 304 405	
UC1140	COOLING PLATE PN45154 COPPER	2	IC 104 105	
UC1142	COOLING PLATE PN45204	3	D 131	
UC6551	FASTENING SPRING	3	IC 203	
UC6551	FASTENING SPRING	3	D 411	
UC6551	FASTENING SPRING	3	T 107	
UC6552	FASTENING SPRING	3	IC 306	SMA200
UC6552	FASTENING SPRING	3	T 407	
UC6752	WASHER 447E	1		
UC6859	COOLING PLATE 447S	3	T 407	
UC6859	COOLING PLATE 447S	3	D 411	
UC6859	COOLING PLATE 447S	3	IC 402	
UC6860	COOLING PLATE 447S	8		
UC6861	COOLING PLATE 447S	9		
UC6862	FAST.SPRING 447S	4	IC 402	
UC6863	CONNECT.PANEL USB	24		
UC6864	SUPPORT 447S	12		
UC6865	FRONT SUPPORT 447S	19		
UC6886	INTERF.SHIELD 447S	10		
UCX012	DIODE ASSYJF0166	5	D 125	
UCX015	DIODE ASSY JF0168	6	D 130	
UG0770	TIES 11X20MM	3		
UG0812	INSULATOR PN30068 445R	4		
UG1016	INSULATOR PN40421	1		
UJ0125	TIES SST 1 M	1		SMA200
UJ0217	EDGE HOLD.WIRE EHWSE	1		
UJ0220	TIES PN200945 445G	5		
WA0749	M4X8 DIN962 DIN269 8.8	1		
WC0036	UNI6950 SCREW	1		
WC0353	PT-SCR KB 40X10 WN1447 FE/ZN YELL	1	M 301	
WC0446	SCREW 2,9X8 FE/ZN	1		
WC0530	SCREW 2,9X10 YELLOW FE/ZN	2	MA 301	
WC0532	PT-SCREW WN1447 K40X14 TORX10YELL	1		032
WL0217	WASHER 4,3 ST DIN6798A	1		
WN0169	POP-RIW AD 44	1		
XW0032	DOW CORNING	1	T 407 107 405 304 303	
XW0032	DOW CORNING	1	IC 402 203 104 105 306	
XW0032	DOW CORNING	1	D 131 411	



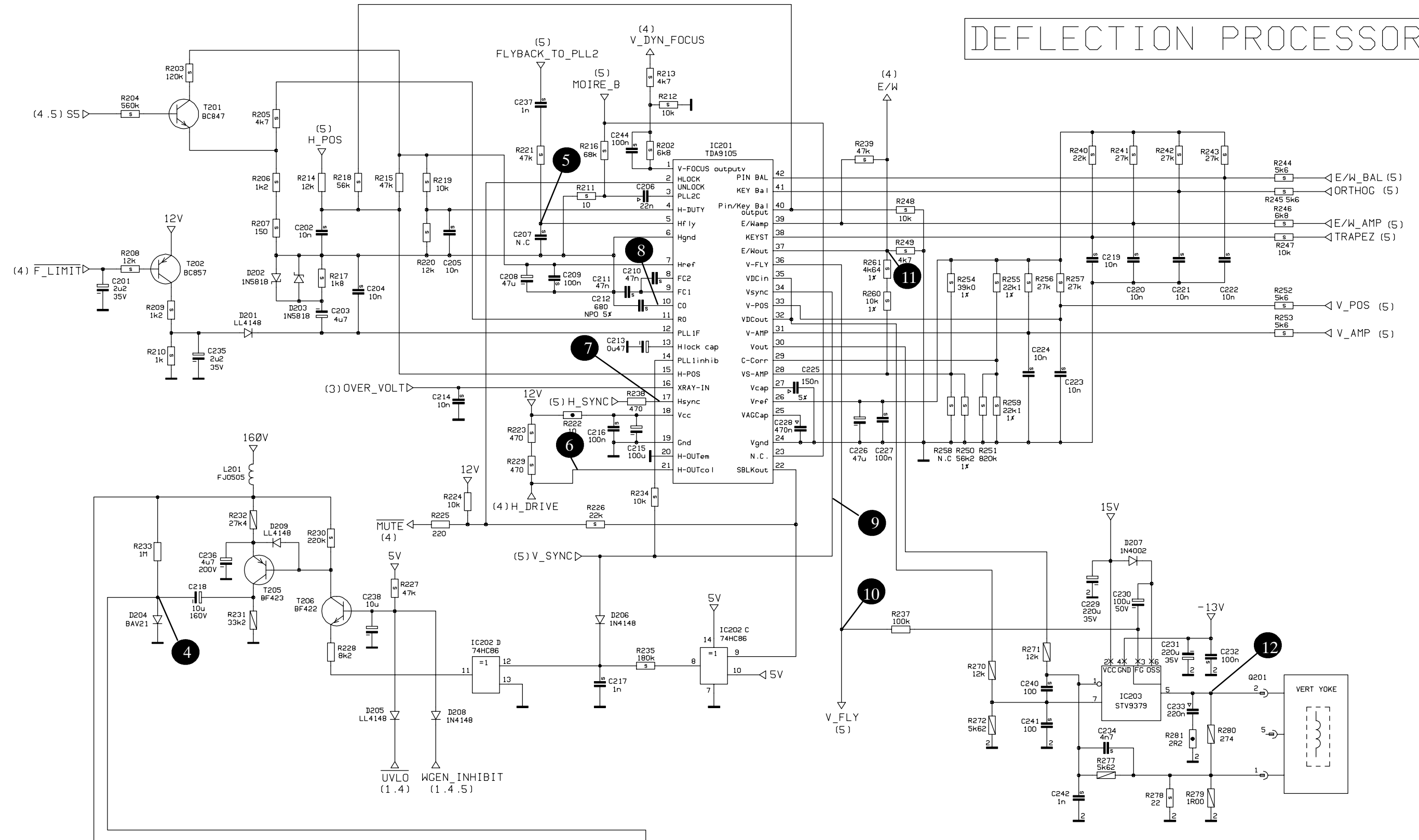
NB. Safety components marked with  must be replaced with original or approved components only.  
All printed boards and the back cover are also safety components

	CERAMIC	POLYPROPYLENE	POLYESTHER POLYCARBONATE
			
			
			
			
			

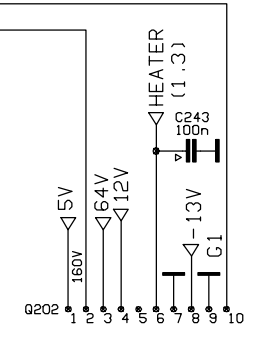
SMA 181 .SMA 185 .SMA 199  
SMA200 .SMA207 .SMA216  
SHEET 1 OF 6 56007N

ECN  
447S55

# DEFLECTION PROCESSOR



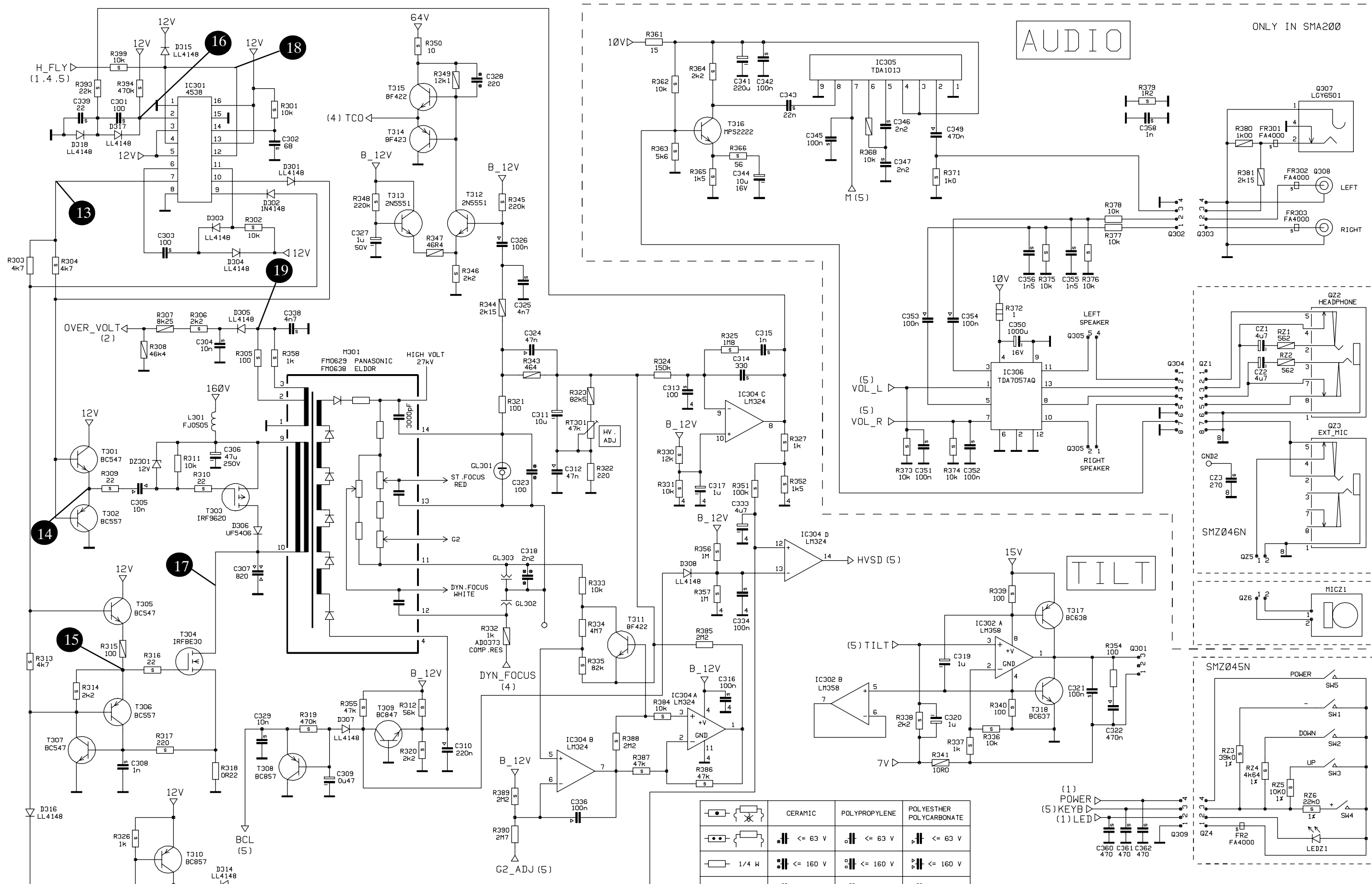
	CERAMIC	POLYPROPYLENE	POLYESTHER POLYCARBONATE



## VERT. OUTPUT

SMA181 .SMA185 .SMA199  
SMA200 .SMA207 .SMA216  
56007N SHEET 2 OF 6

ECN  
447S55



# HV GENERATOR

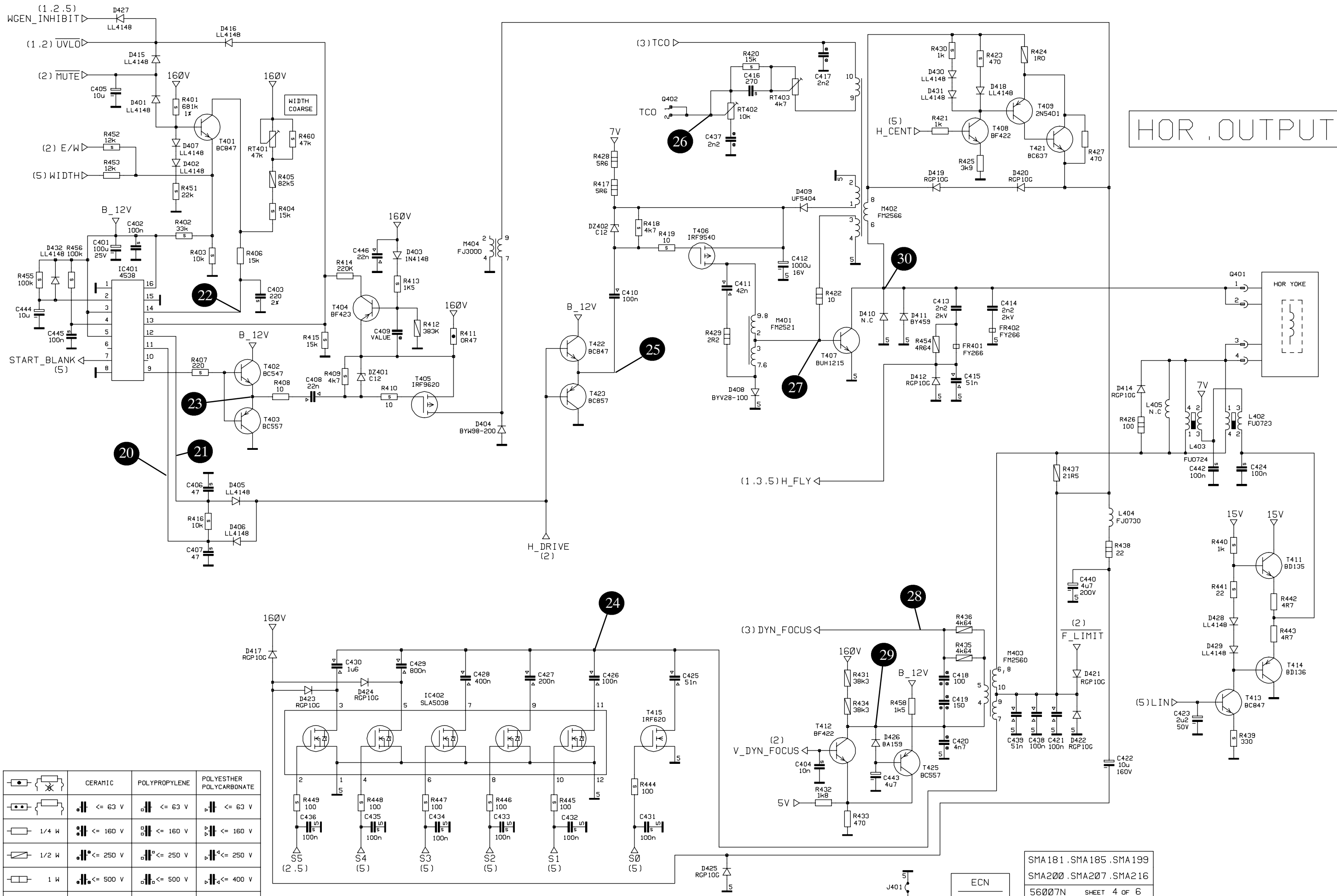
# AUDIO

# TILT

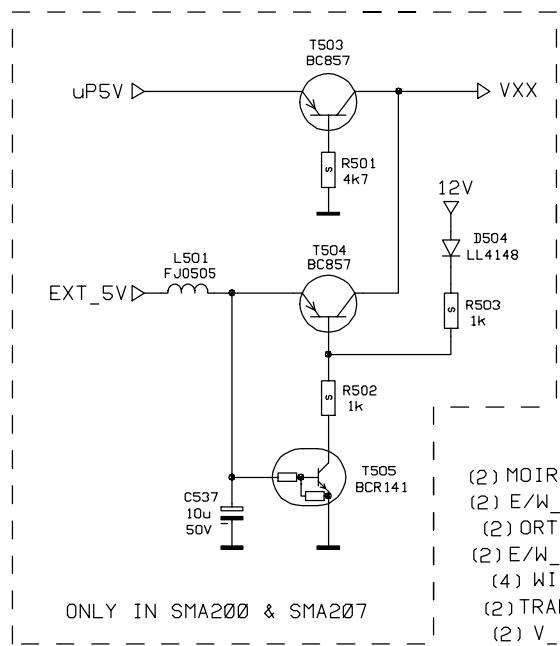
	CERAMIC	POLYPROPYLENE	POLYESTHER POLYCARBONATE

ECN  
447S55

SMA181 .SMA185 .SMA199  
SMA200 .SMA207 .SMA216  
56007N SHEET 3 OF 6



	CERAMIC	POLYPROPYLENE	POLYESTHER POLYCARBONATE
	$\leq 63$ V	$\leq 63$ V	$\leq 63$ V
	$\leq 160$ V	$\leq 160$ V	$\leq 160$ V
	$\leq 250$ V	$\leq 250$ V	$\leq 250$ V
	$\leq 500$ V	$\leq 500$ V	$\leq 400$ V
	$\leq 1,5$ kV	$\leq 1,5$ kV	$\leq 1,5$ kV



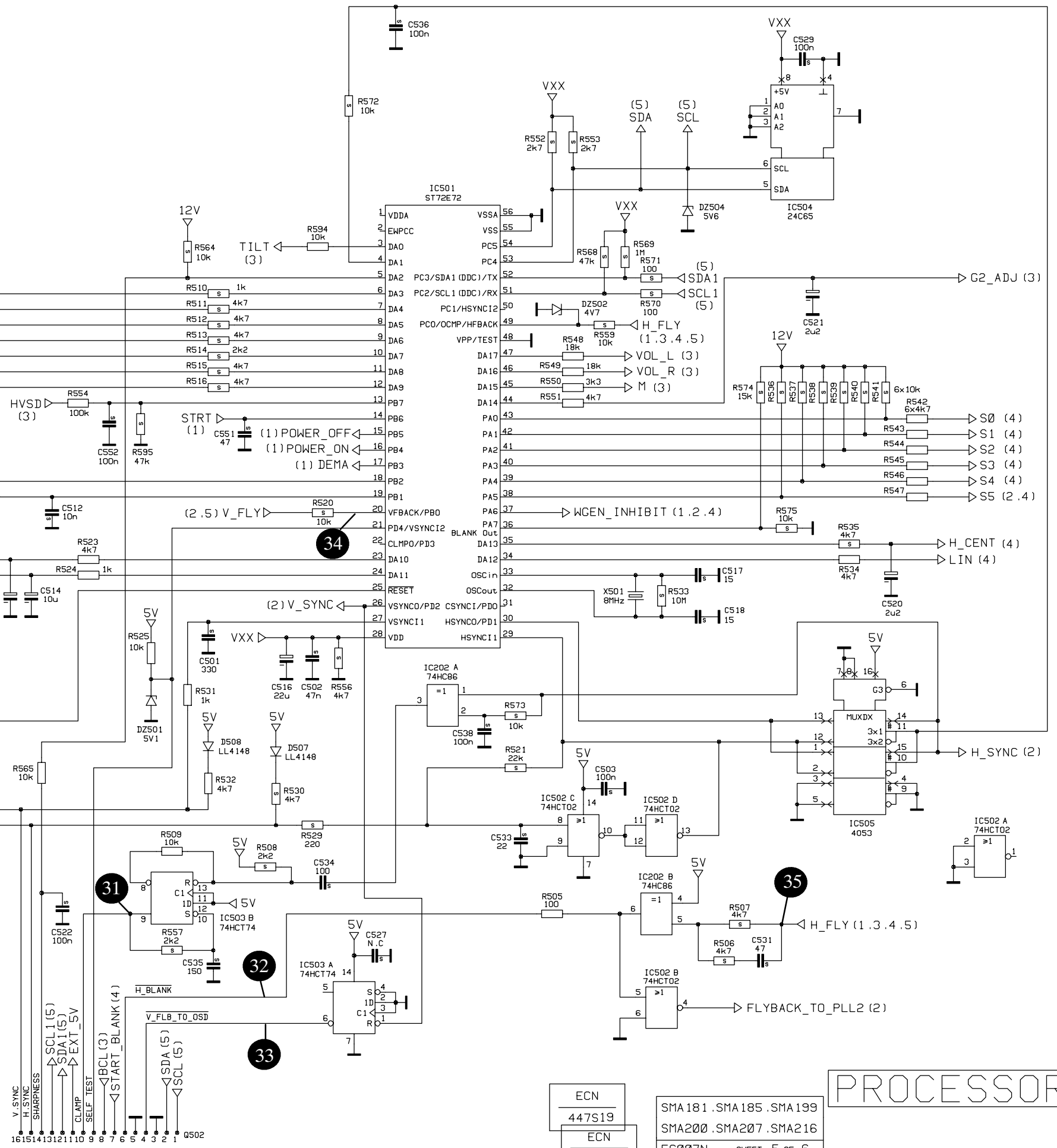
- (2) MOIRE\_B
- (2) E/W\_BAL
- (2) ORTHOC
- (2) E/W\_AMP
- (4) WIDTH
- (2) TRAPEZ
- (2) V\_POS

- (3) KEYB
- (6) COM\_INTER

- (2) V\_AMP
- (2) H\_POS

- (1) PWR\_RST

- (1) VS
- (1) HS



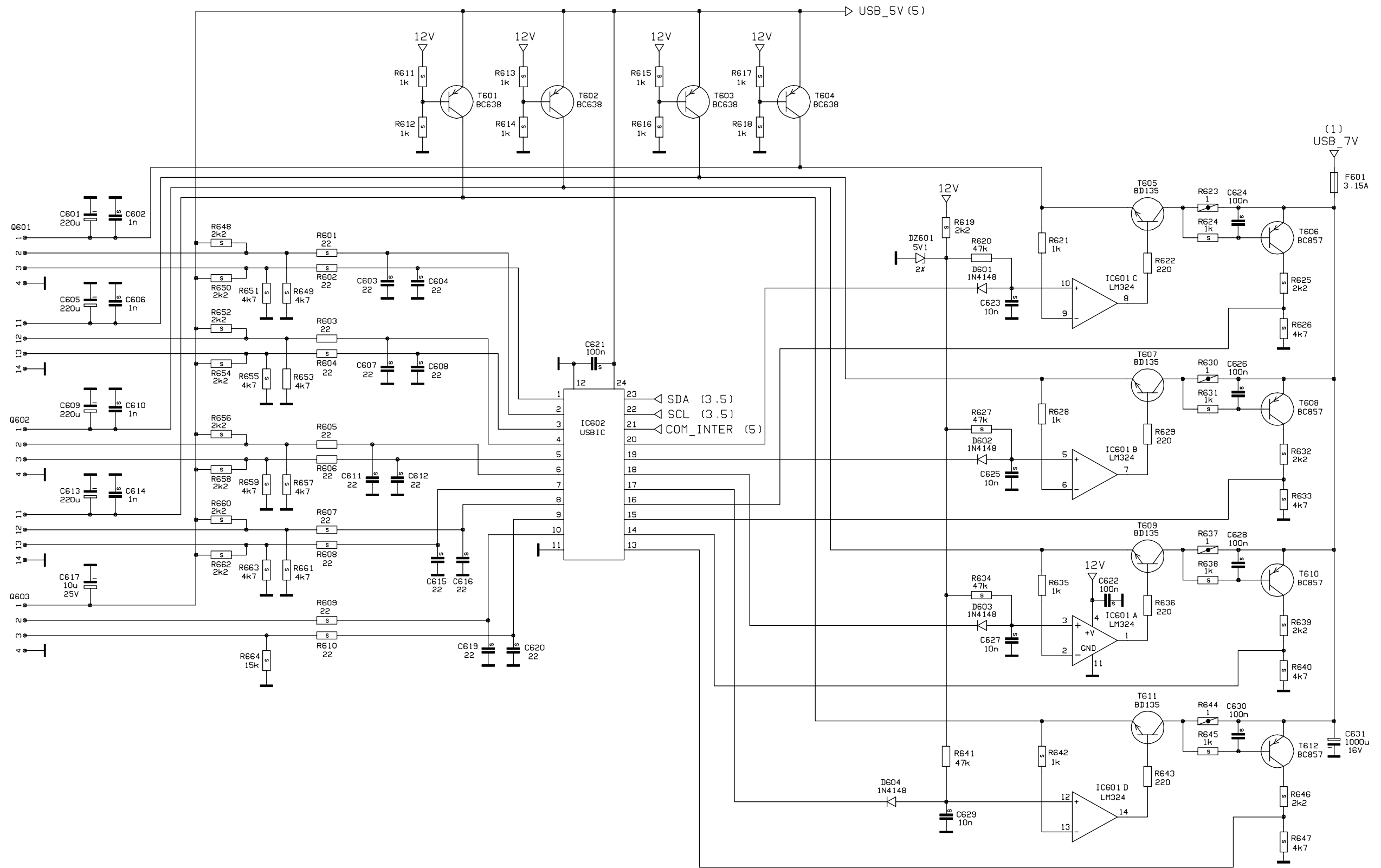
	CERAMIC	POLYPROPYLENE	POLYESTHER POLYCARBONATE
	$\leq 63$ V	$\leq 63$ V	$\leq 63$ V
	$\leq 160$ V	$\leq 160$ V	$\leq 160$ V
	$\leq 250$ V	$\leq 250$ V	$\leq 250$ V
	$\leq 500$ V	$\leq 500$ V	$\leq 400$ V
	$\leq 1,5$ kV	$\leq 1,5$ kV	$\leq 1,5$ kV

ECN  
447S19  
ECN  
447S55

SMA181 .SMA185 .SMA199  
SMA200 .SMA207 .SMA216  
56007N SHEET 5 OF 6

PROCESSOR





	CERAMIC	POLYPROPYLENE	POLYESTHER POLYCARBONATE
	≤ 63 V	≤ 63 V	≤ 63 V
	≤ 160 V	≤ 160 V	≤ 160 V
	≤ 250 V	≤ 250 V	≤ 250 V
	≤ 500 V	≤ 500 V	≤ 400 V
	≤ 1,5 kV	≤ 1,5 kV	≤ 1,5 kV

USB

ECN  
447S55

SMA181 .SMA185 .SMA199  
SMA200 .SMA207 .SMA216  
56007N SHEET 6 OF 6



