

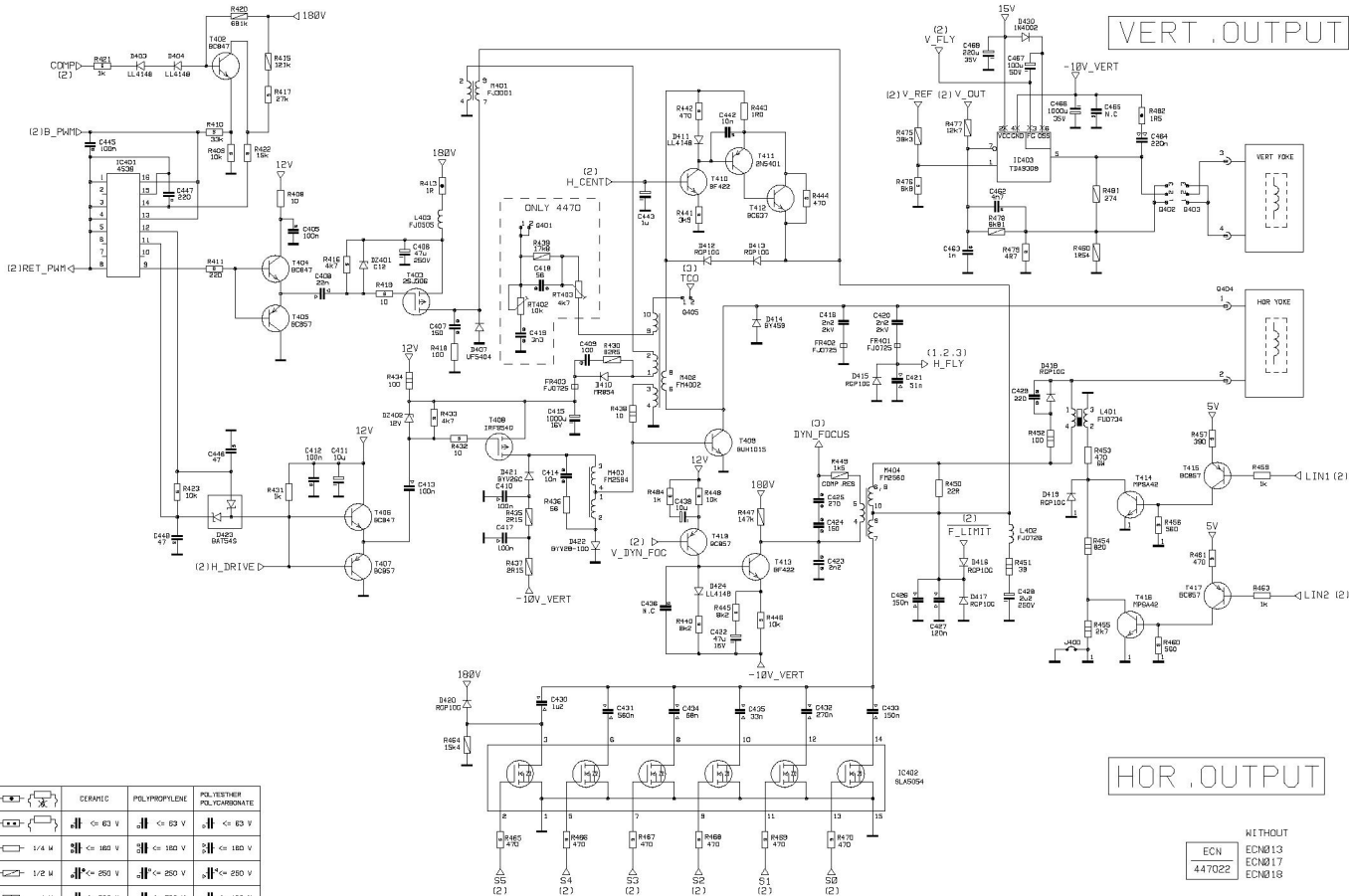
JUMPER ALTERNATIVES

	FJ06:48	FJ08:51
J817	C.	N.C.
J818	N.C.	N.C.
J819	N.C.	N.C.
J820	C.	N.C.
J821	N.C.	C.
R310	1k	4k7

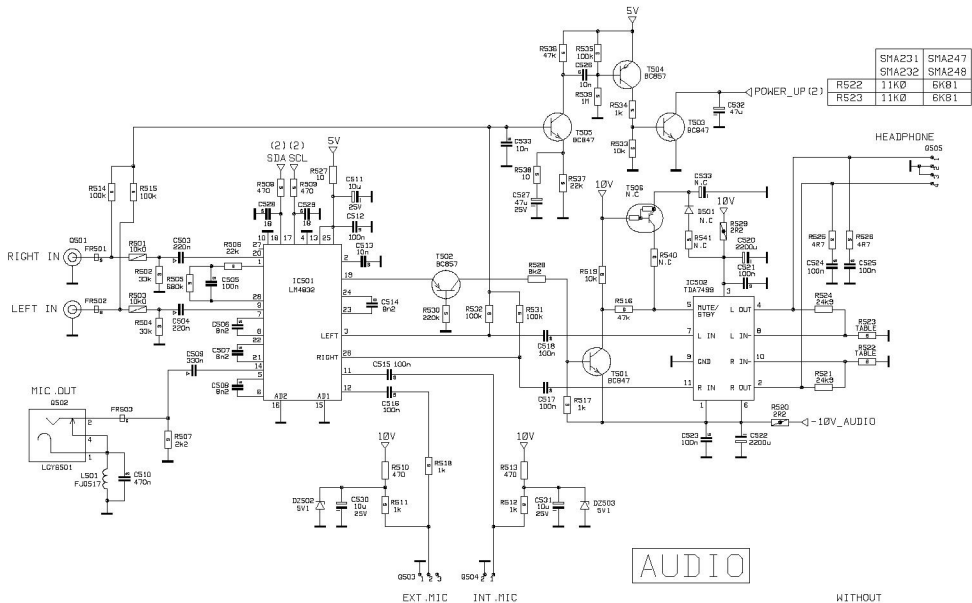
	GERMICON	POLYPROPYLENE	POLYESTHER POLYCARBONATE

HV GENERATOR

WITHOUT	
ECN	ECN813
44702Z	ECN817
	ECN819



	CERAMIC		POLYPROPYLENE		POLYESTER POLYCARBONATE
	1/4 W		1/2 W		1 W
	2 W		1/4 W		1/2 W

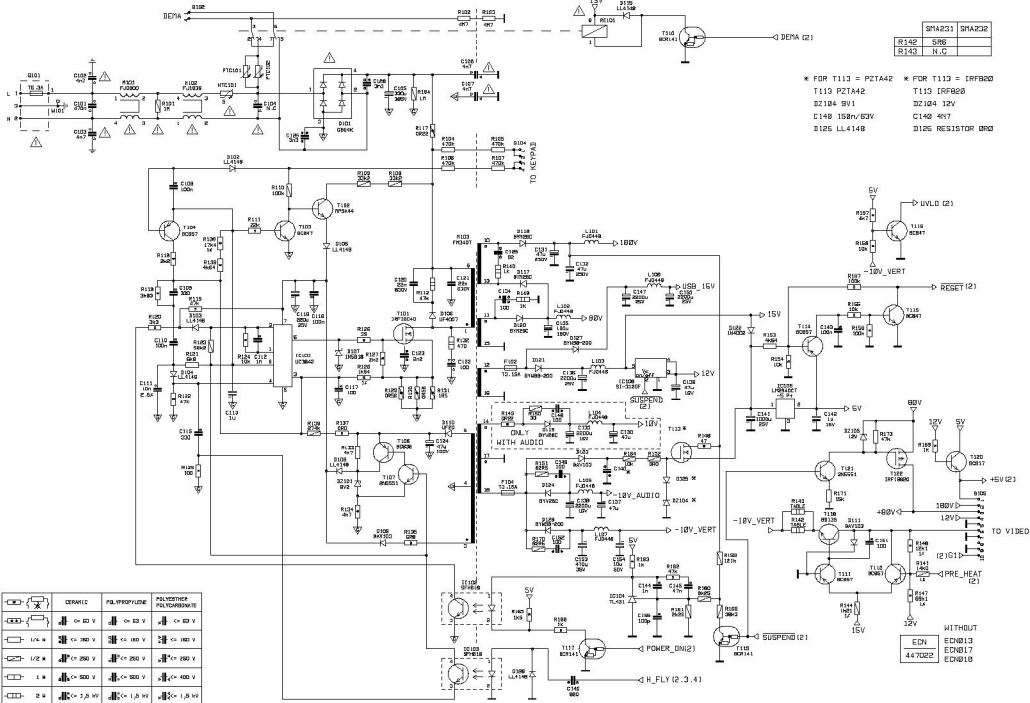


SMA231	SMA247
SMA232	SMA248
R522	11K0 6K81
R523	11K0 6K81

ECN	WITHOUT
447022	ECN013
	ECN017
	ECN018

EXT .MIC INT .MIC

AUDIO



SMA231	SMA232
R142	S/R6
R143	N.C.

* FOR T113 = PZTA42 * FOR T113 = IRF820
 T110 IRF820
 S2104 9V1
 C148 150n/53V
 C149 47K
 D126 RESISTOR DRP

	CERAMIC		POLYPROPYLENE		POLYESTER		POLYBENZOXAZOLE
	10kV		50V		100V		250V
	1/2W		1W		2W		5W
	1K		10K		100K		1M
	0.2W		0.5W		1.5W		3W

WITHOUT
 EDN13
 EDN17
 EDN18
 447022