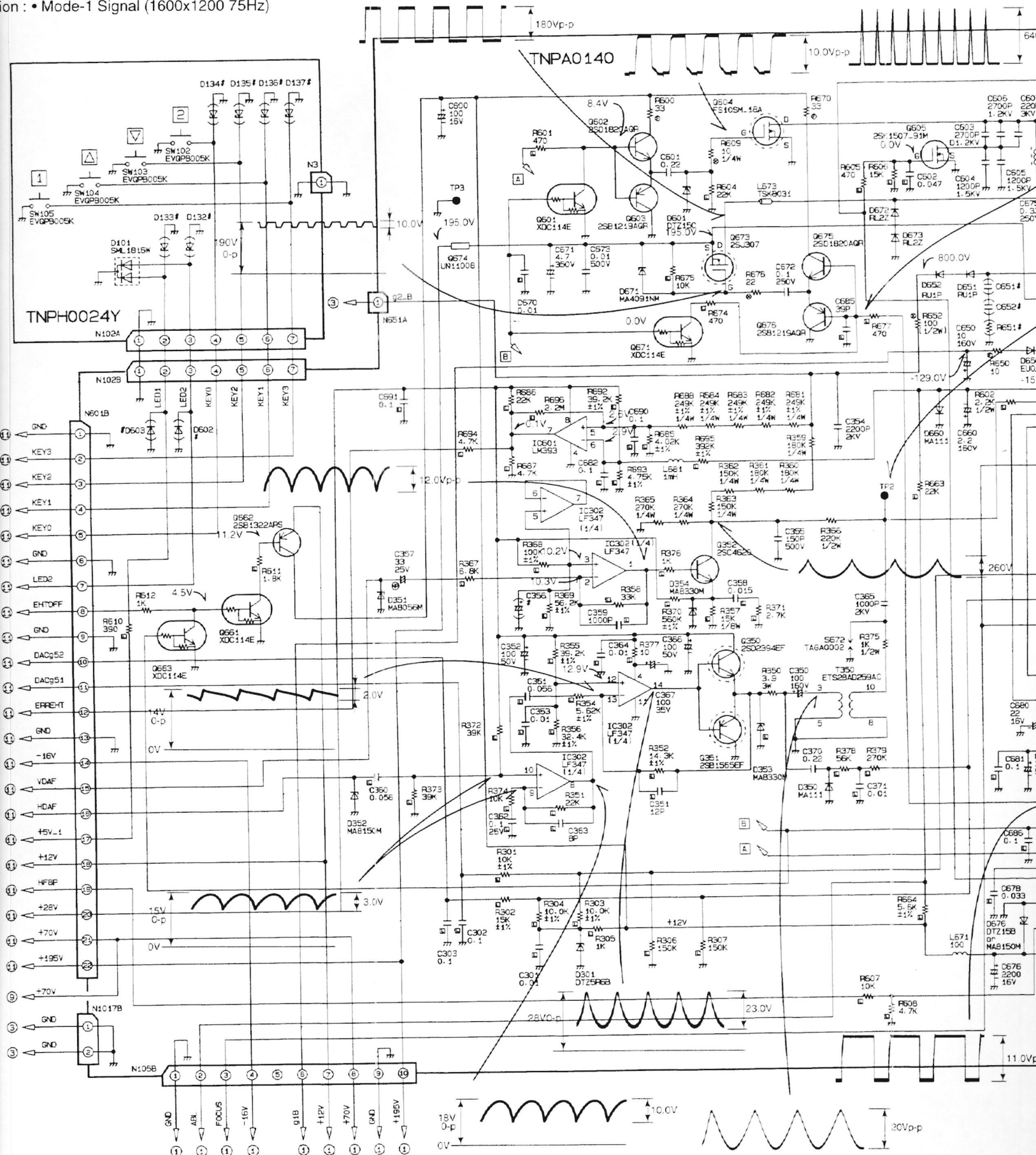
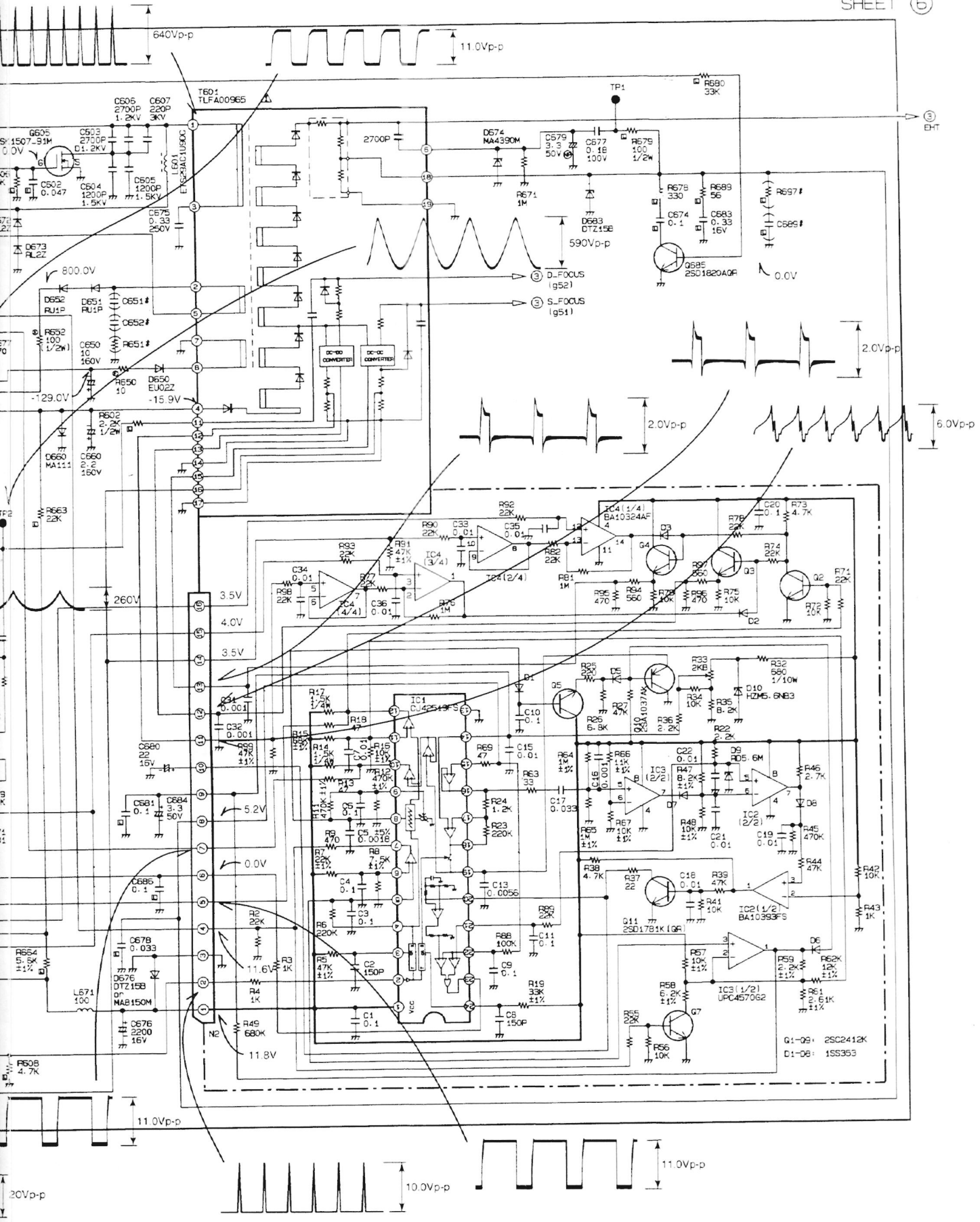
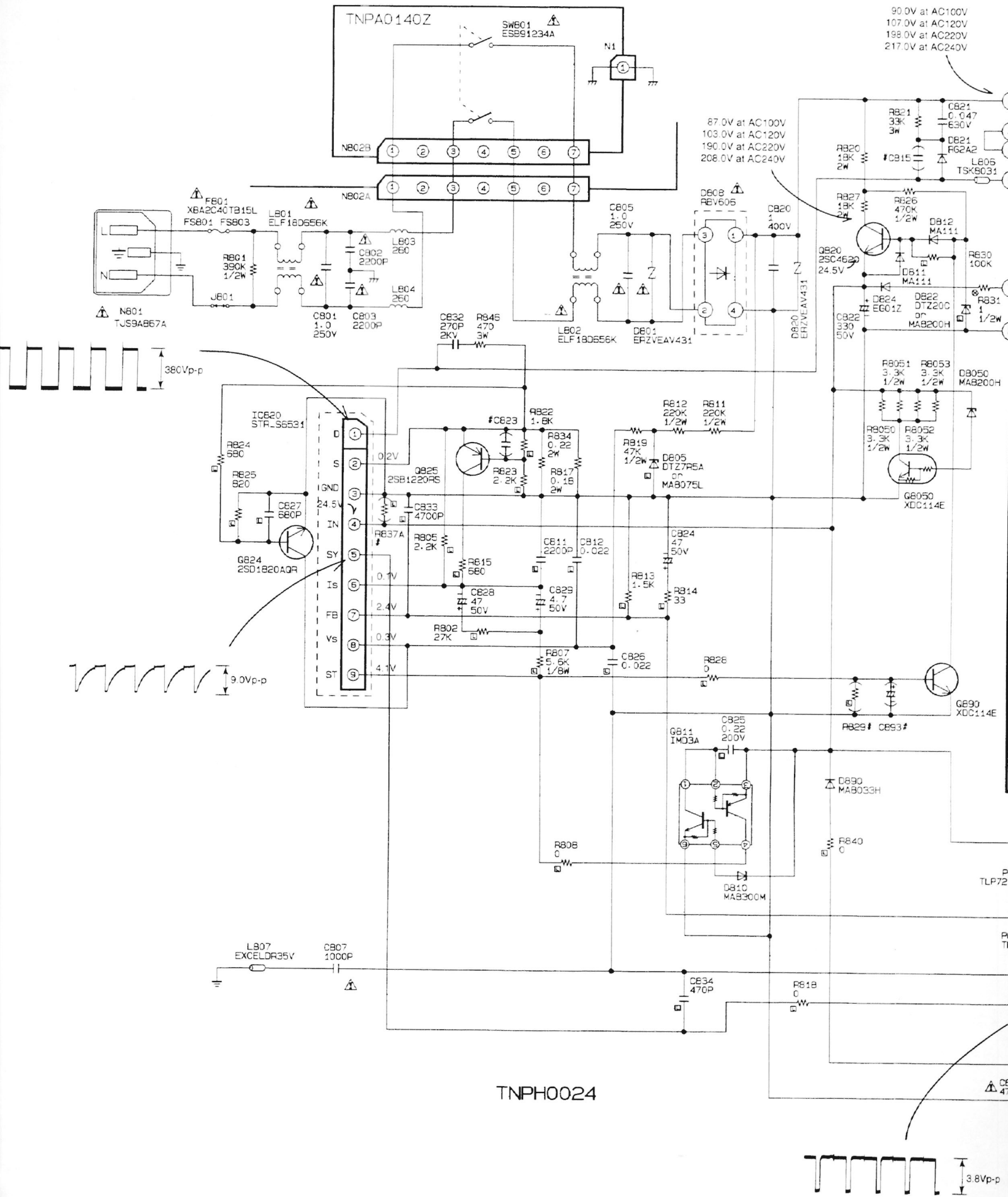


TNPH0024

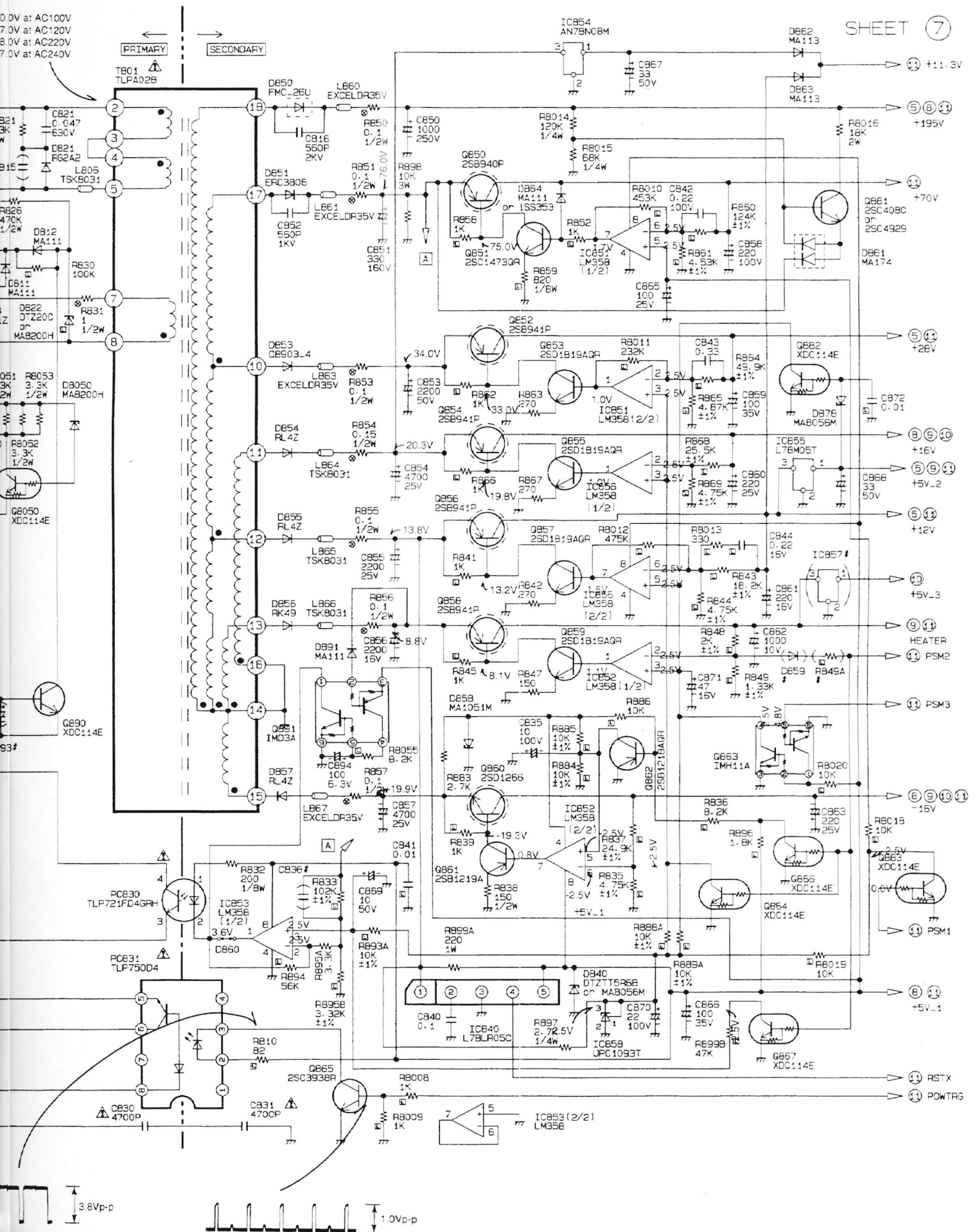




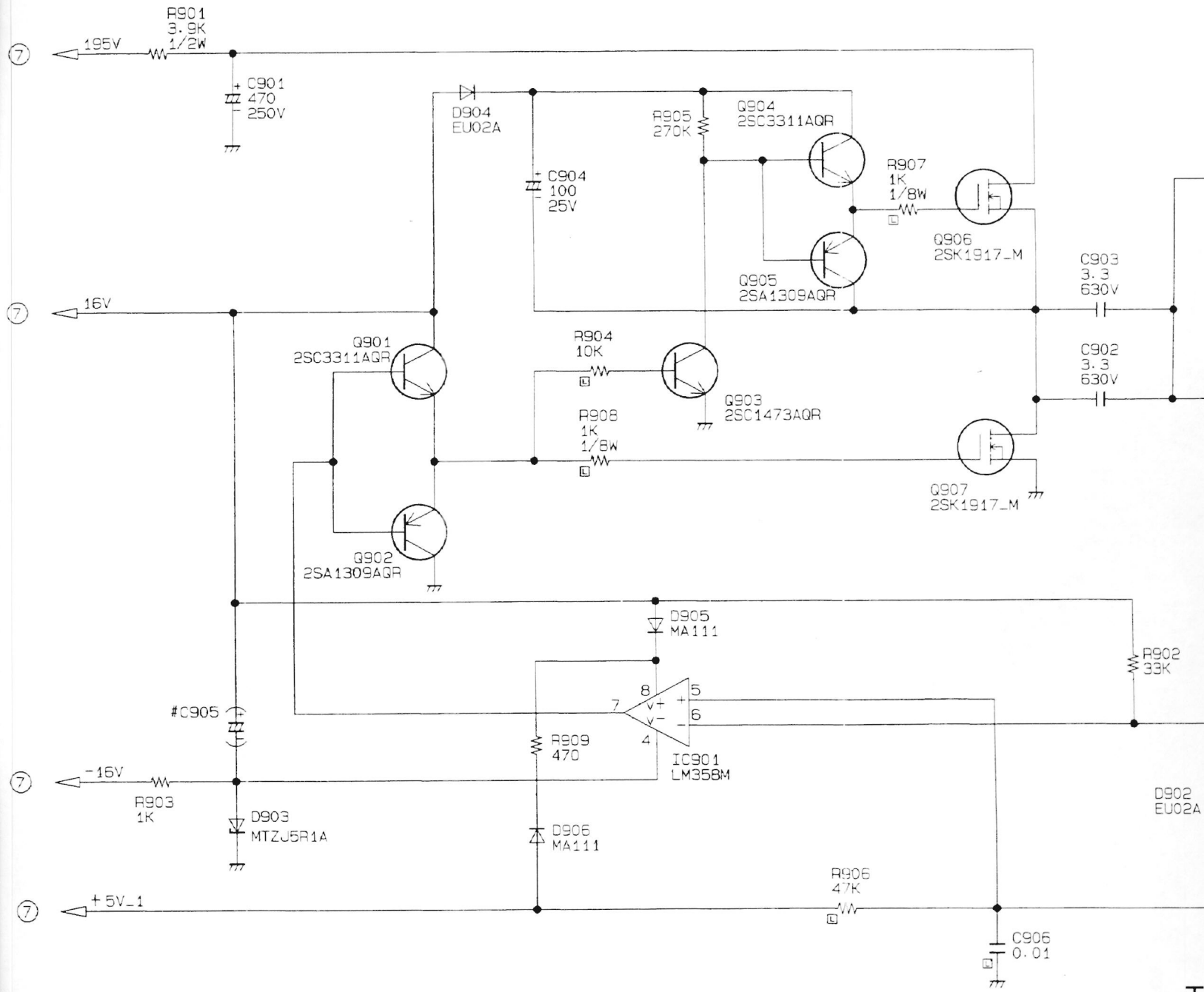


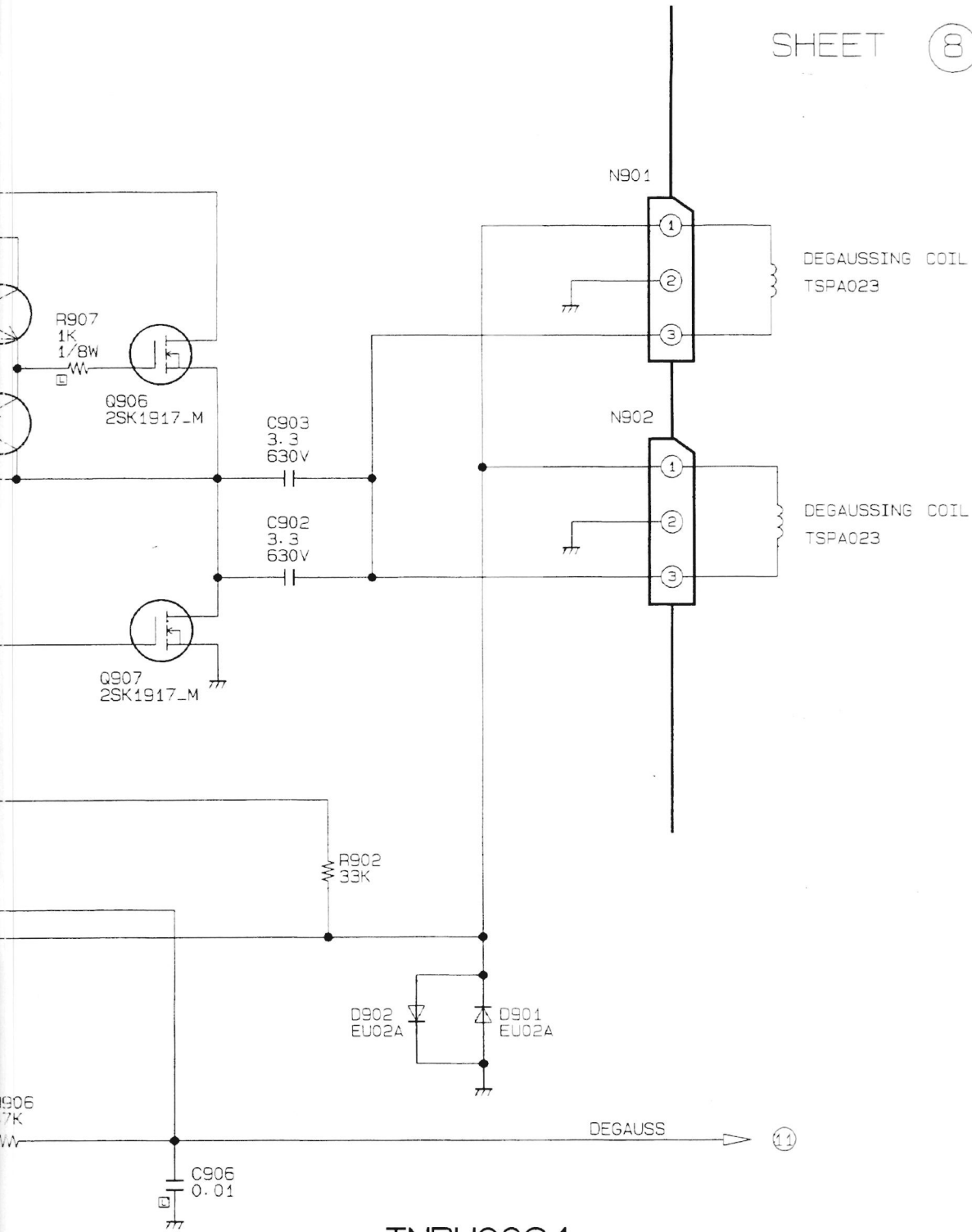
TNPH0024

0.0V at AC100V
7.0V at AC120V
8.0V at AC220V
7.0V at AC240V

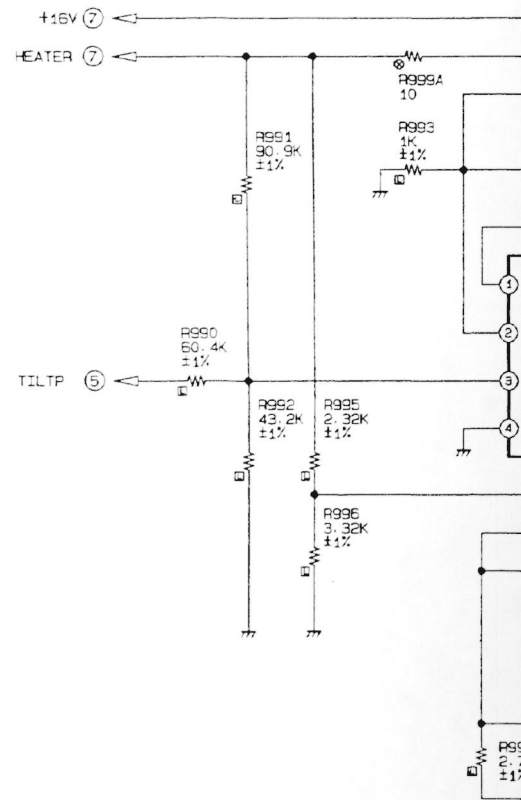
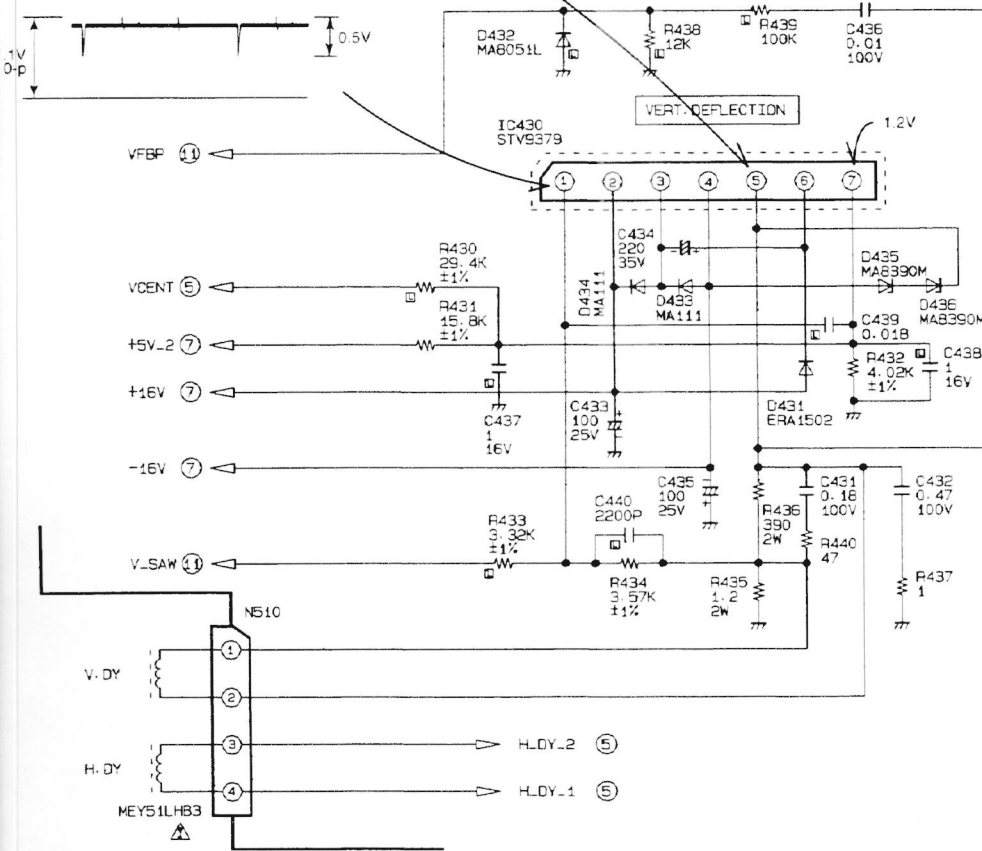
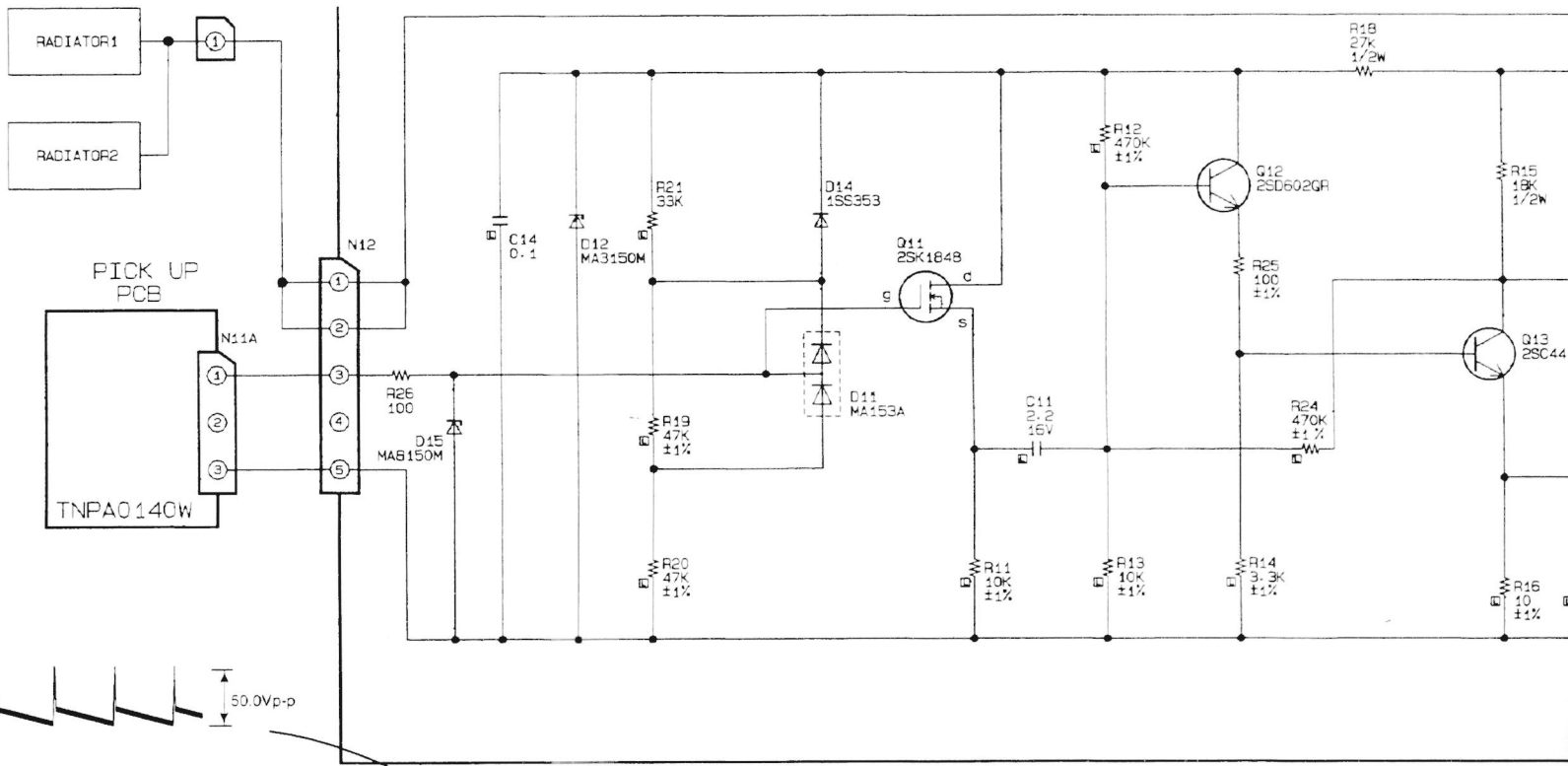


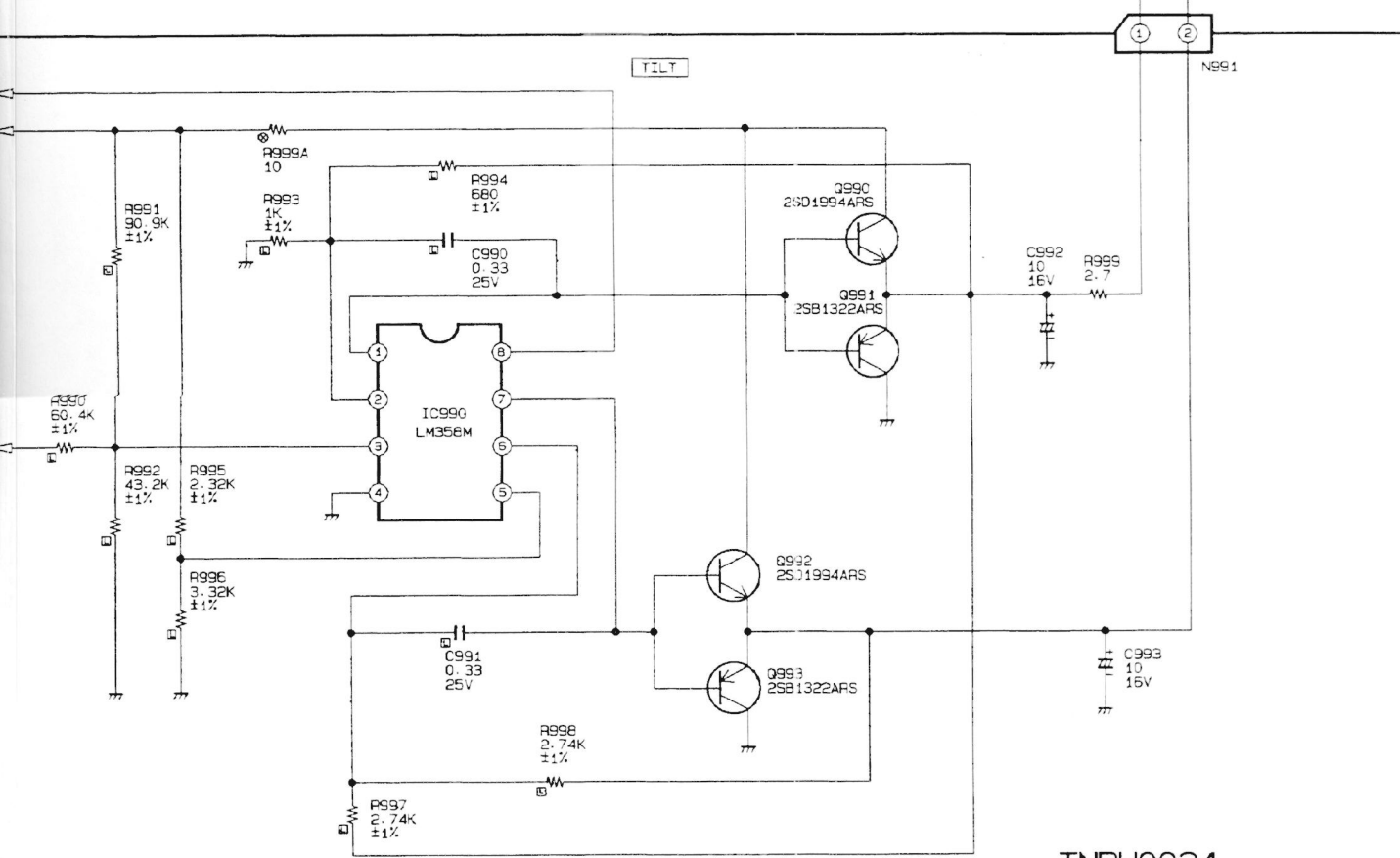
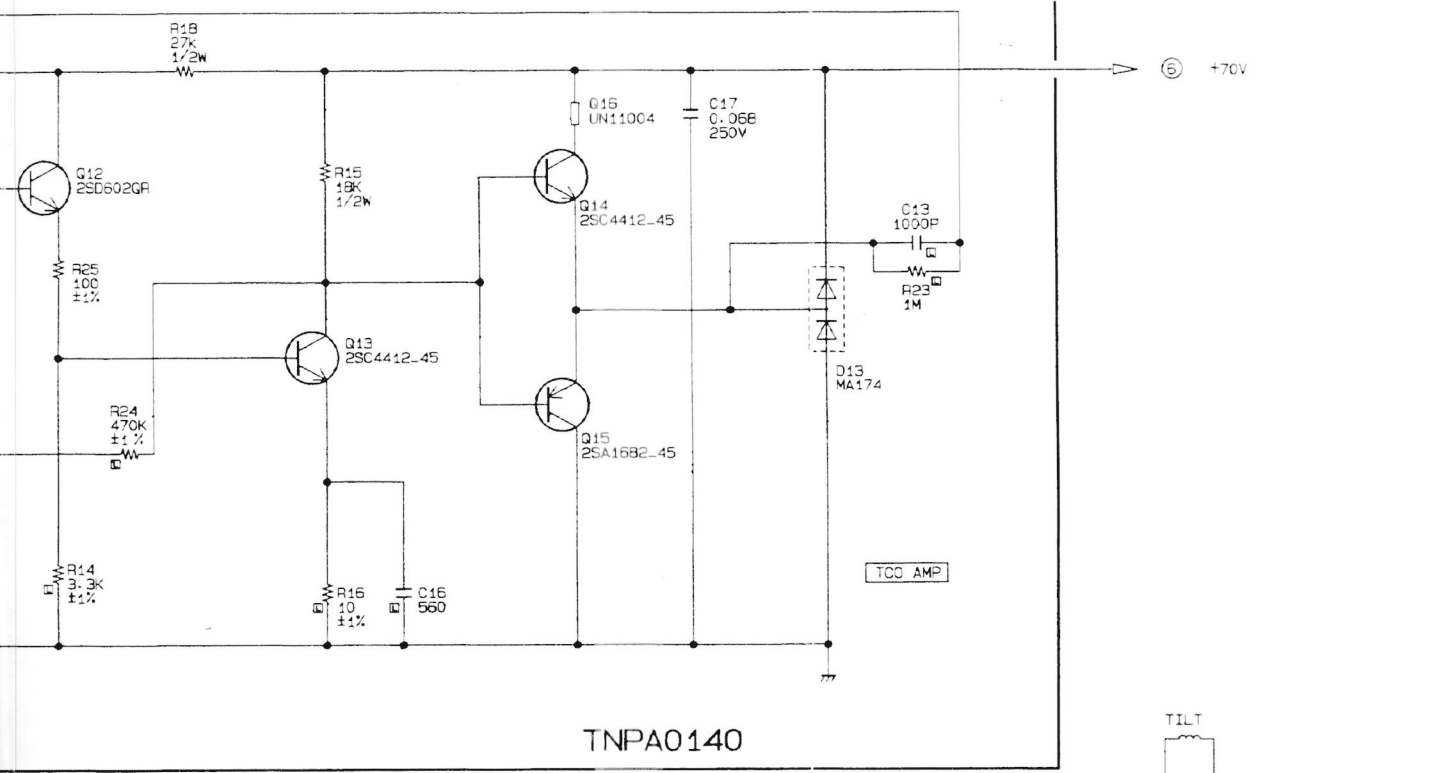
Important safety notice
 Some components have special characteristics important for safety.
 Use only manufacturer's specified parts.





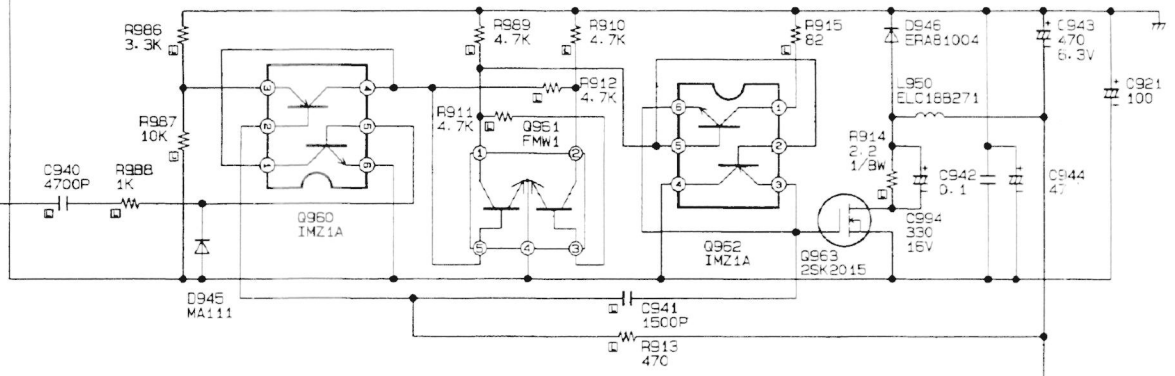
TNPH0024





DCTAG ①

-16V ⑦



-5V ②