

Programmes After Market Services NHM-5NX Series Transceivers

Service Tools

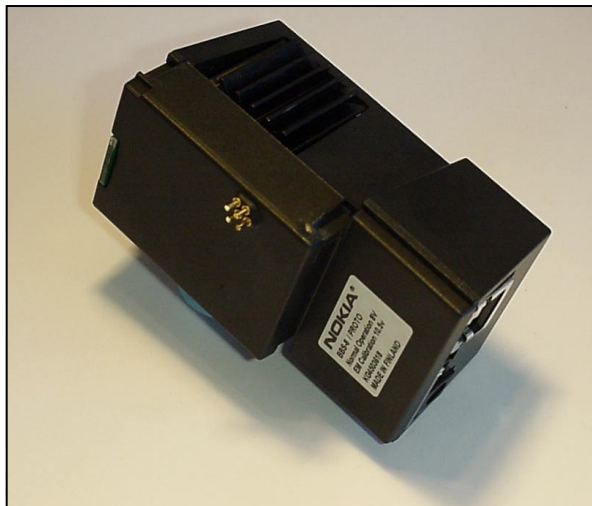
Table of Contents

| | Page No |
|--|---------|
| Test Rig MJS 19..... | 3 |
| Service Battery BBS-8 | 4 |
| POS Flash Adapter FLP-2..... | 5 |
| RF Antenna Adapter AAS-6 | 6 |
| Flash Loading Adapter FLA-5 (Sales Pack) | 7 |
| Flash Prommer FPS-4S (Sales Pack) | 8 |
| Security Box TDF-4 | 9 |
| Service Cable SCH-5..... | 10 |
| D15-D15 Cable AXS-5..... | 11 |
| DC Cable PCC-1B..... | 12 |
| DC Cable SCB-3 | 13 |
| Power Cable PCS-1 | 14 |
| POS Flash Adapter FLS-2D (Sales Pack)..... | 15 |
| XMS-3 Service Cable | 16 |
| MBUS Cable DAU-9S | 17 |
| SW Security Device PKD-1 | 18 |

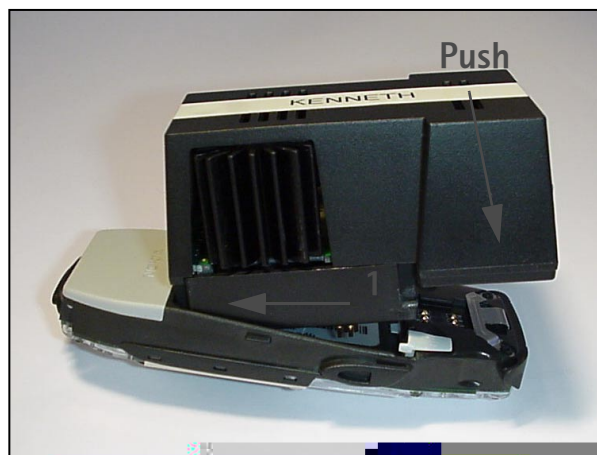
Service Battery BBS-8

Product Code:

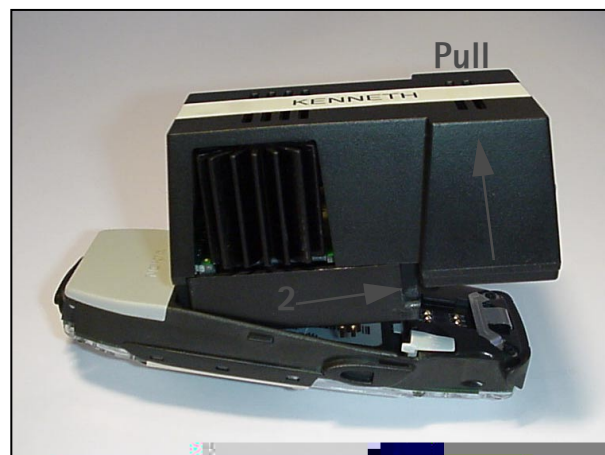
Service Battery BBS-8: 0630261



Insert



Remove



POS Flash Adapter FLP-2

Product Code:

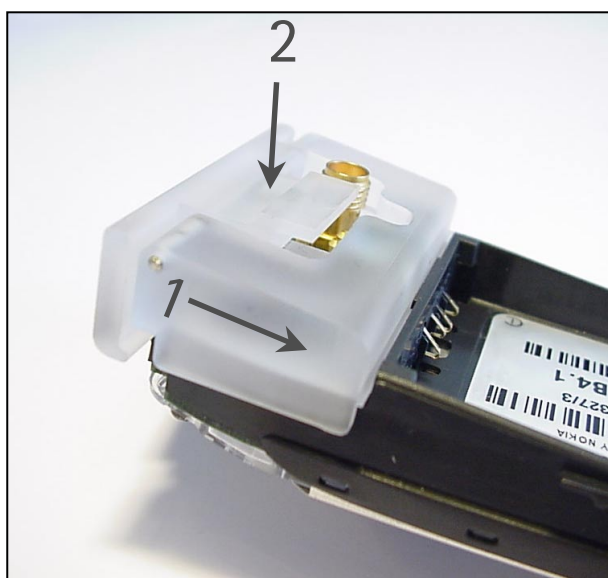
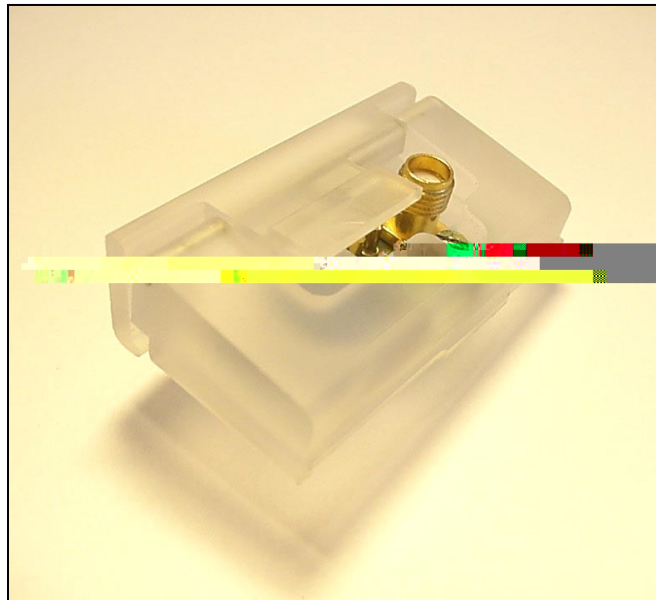
POS Flash Adapter FLP-2: 0630262



RF Antenna Adapter AAS-6

Product Code:

RF Antenna Adapter AAs-6: 0630280



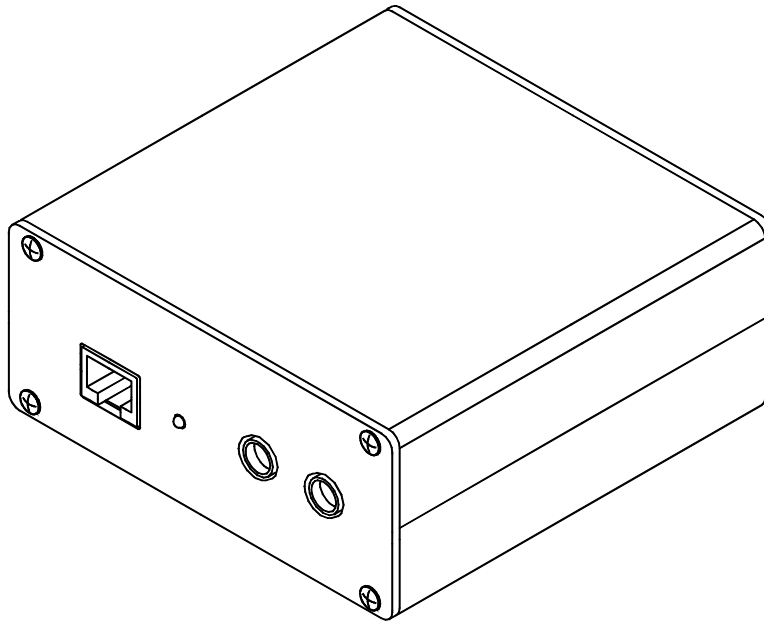
Fitting the Adapter

Flash Loading Adapter FLA-5 (Sales Pack)

The Flash Loading Adapter FLA-5 is used with the Service Battery BBD-3 and Service Cable SCH-5. Power is supplied to FLA-5 from the Flash Security Box TDF-4 via the DC cable PCC-1B, (The PCC-1B cable can be replaced with a Travel Charger ACH-6), and is connected to the Flash Prommer FPS-4S with the cable AXS-5.

Product Code

Flash Loading Adapter FLA-5: 0080178



The sales pack includes:

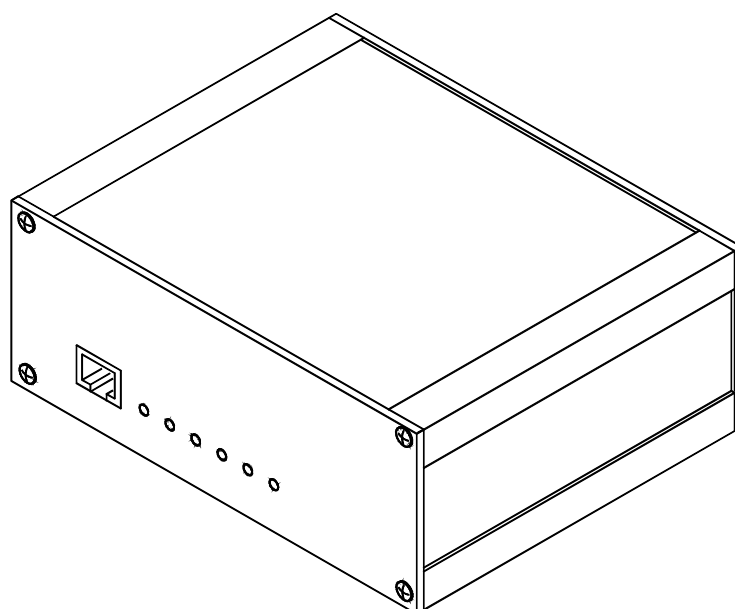
| Sales Package | Type Designation of parts | NMP Code |
|---------------|-----------------------------|----------|
| FLA-5 | | |
| | Flash Loading Adapter FLA-5 | 0770085 |
| | Service Cable SCH-5 | 0730098 |
| | Printer Cable AXS-5 | 0730091 |
| | SW diskette | 8400041 |

Flash Prommer FPS-4S (Sales Pack)

The Flash Prommer FPS-4S is used to update the main software of the phone. Updating is done by first loading the new MCU software from the PC to the flash prommer, and then loading the new SW from the prommer to the phone. When updating more than one phone in succession, the MCU software only needs to be loaded to the prommer once.

Product Code

Flash Prommer FPS-4S: 0085095



The sales pack includes:

| Sales Package | Type Designation of parts | NMP Code |
|---------------|---------------------------|----------|
| FPS-4S | | 0085095 |
| | Flash Prommer FPS-4 | 0750090 |
| | Charger ACL-3E | 0680015 |
| | Printer Cable | 0730029 |
| | D9 - D9 Cable AXS-4 | 0730090 |
| | SW diskette | 8400041 |

Security Box TDF-4

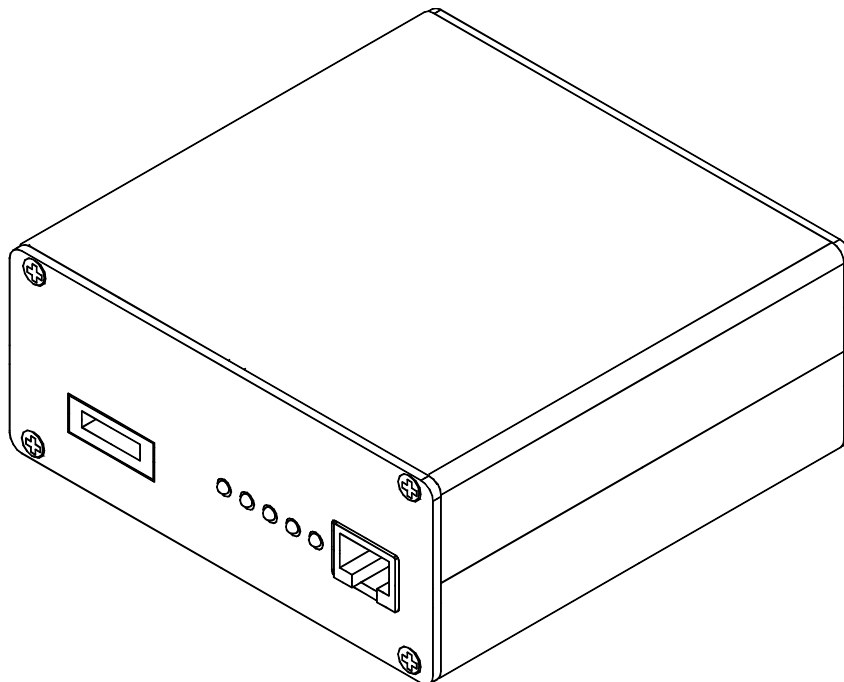
The Security Box TDF-4 is required for updating MCU software, and infra red testing.

Note1: TDF-4 is delivered in de-activated mode. Fill in the enclosed Activation Request Form, and fax to NMP Salo to get the activation code

Note2: The infra red module JLP-1 is not included in the TDF-4 sales package

Product Cod

Security Box TDF-4: 0770106

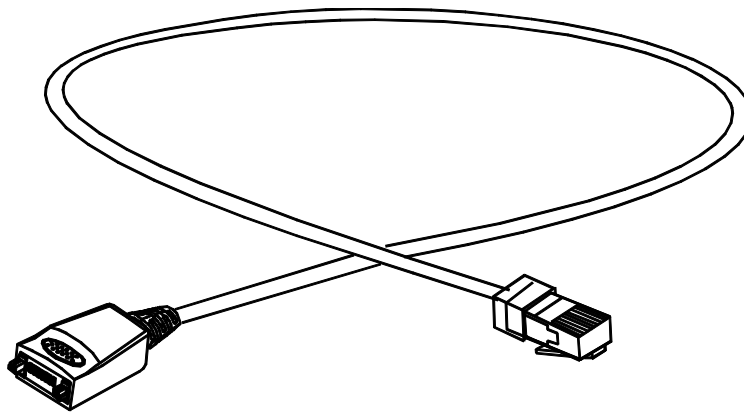


Service Cable SCH-5

The Service Cable SCH-5 is used between the phone and Service Audio Box JBA-4 (or modular T-adapter). It is also used between the phone and the Flash Loading Adapter FLA-5.

Product Code

Service Cable SCH-5: 0730098

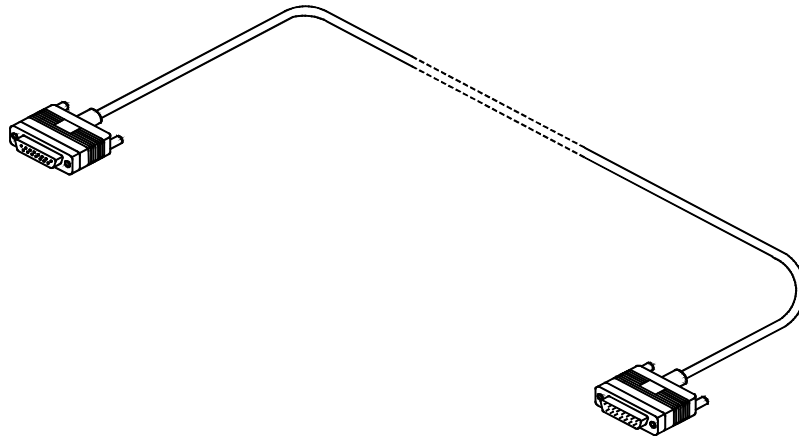


D15-D15 Cable AXS-5

The D15-D15 Cable AXS-5 is used to connect two 15 pin D connectors. e.g. between FLA-5 and FPS-4S.

Product Code

D15-D15 Cable AXS-5: 0730091

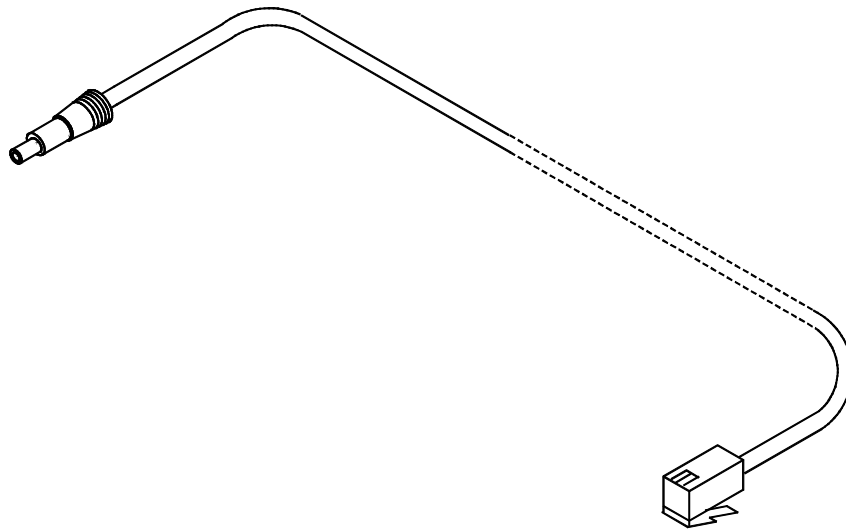


DC Cable PCC-1B

The DC Cable PCC-1B is used e.g. to connect FLA-5 and TDF-4.

Product Code

DC Cable PCC-1B: 0770053

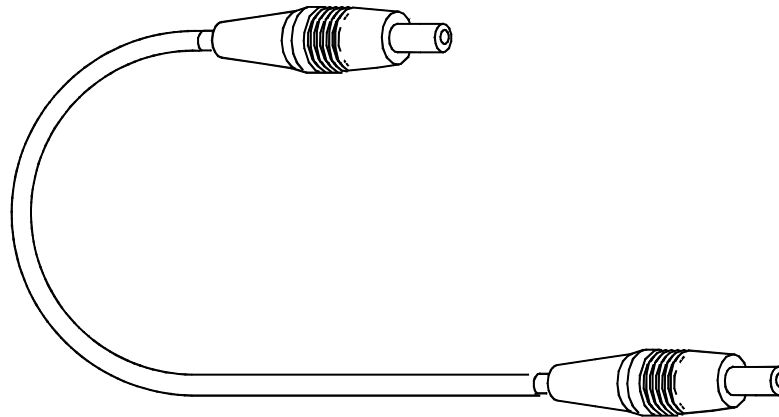


DC Cable SCB-3

The DC Cable SCB-3 is used to connect the Service Battery to the charger connection Vin of the phone when doing the charger calibration service procedure.

Product Code

DC Cable SCB-3: 0730114

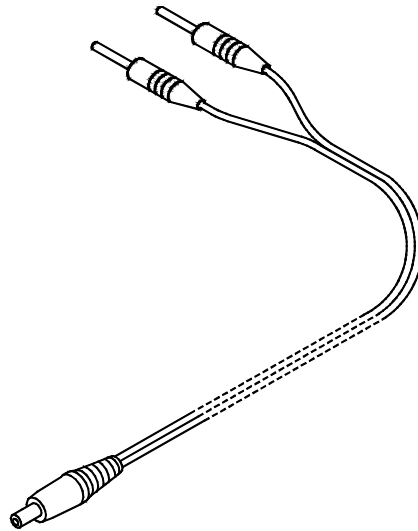


Power Cable PCS-1

The Power Cable PCS-1 is used to connect the module jigs JBT-1 and JBS-19 to an external power supply.

Product Code

Power Cable PCS-1: 0730012



POS Flash Adapter FLS-2D (Sales Pack)

:

Sale package code

0081310 (APAC) 0081311 (EU/AFR)

The sales packs include:

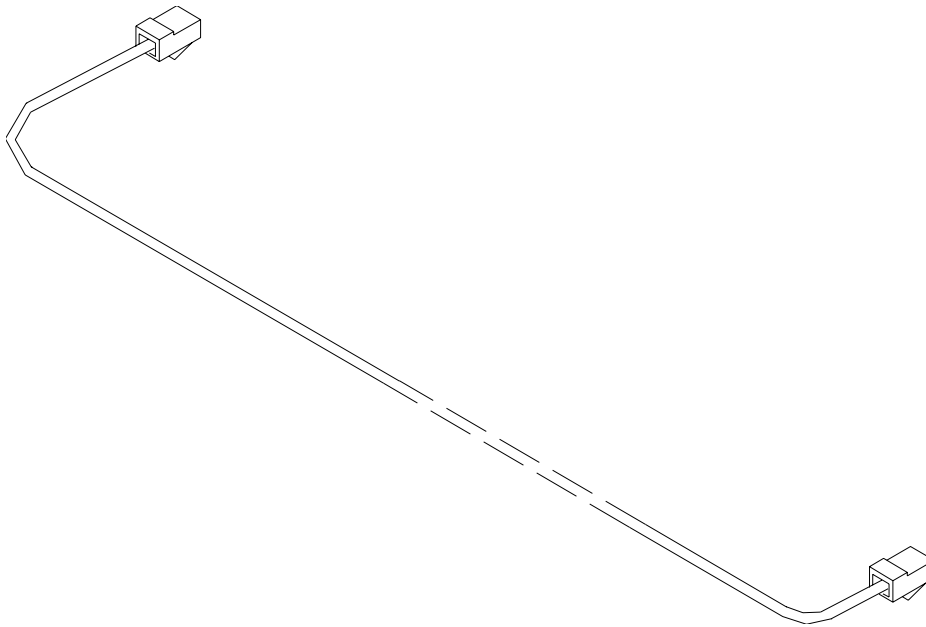
| Sales Package | Item | NMP Code |
|---------------|---------------------------------|----------|
| 0081310 | FLS-2D FLASH DEVICE (APAC) | 0774169 |
| | FLS-X INSTALL GUIDE UG | 0275405 |
| | AXS-4U SERVICE CABLE | 0730163 |
| | SWSA1 DONGLE DRV32 3.5" DISK | 0770176 |
| | SWSA1 DONGLE DRV16 3.5" DISK | 0770177 |
| | SWSA1 FLE-5 DRV16/32 3.5" DISK | 0774120 |
| | SWSA1 FLS1 REM UPD 3.5" DSK | 0774123 |
| | BLANK STICKER | 9380113 |
| | MASTER CARTON | 9651563 |
| | FLS-X REGISTRATION REQUEST FORM | 0275404 |

| Sales Package | Item | NMP Code |
|---------------|---------------------------------|----------|
| 0081311 | FLS-2D FLASH DEVICE (EU/AFR) | 0774170 |
| | FLS-X INSTALL GUIDE UG | 0275405 |
| | AXS-4U SERVICE CABLE | 0730163 |
| | FLS-2D CDROM | 0774181 |
| | BLANK STICKER | 9380113 |
| | MASTER CARTON | 9651563 |
| | FLS-X REGISTRATION REQUEST FORM | 0275404 |

XMS-3 Service Cable

Product Code

XMS-3 Cable: 0730174

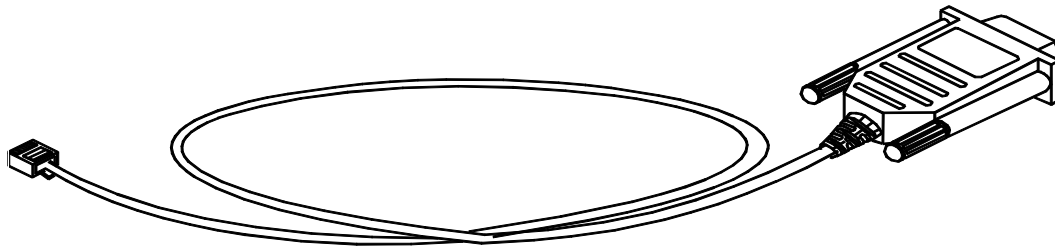


MBUS Cable DAU-9S

The MBUS Cable DAU-9S has a modular connector, and is used with the service Audio Box JBA-4, or a modular T-adaptor.

Product Code

MBUS Cable DAU-9S: 0730108



SW Security Device PKD-1

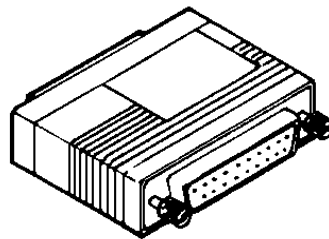
SW security device is a piece of hardware enabling the use of the service software when connected to the parallel (LPT) port of the PC. Without the dongle present it is not possible to use the service software. Printer or any such device can be connected to the PC through the dongle if needed.

Caution: Make sure that you have switched off the PC and the printer before making connections!

Caution: Do not connect the PKD-1 to the serial port. You may damage your PKD-1!

Product Code

SW Security Device PKD-1: 0750018



G0750018