

9. Schematic diagrams

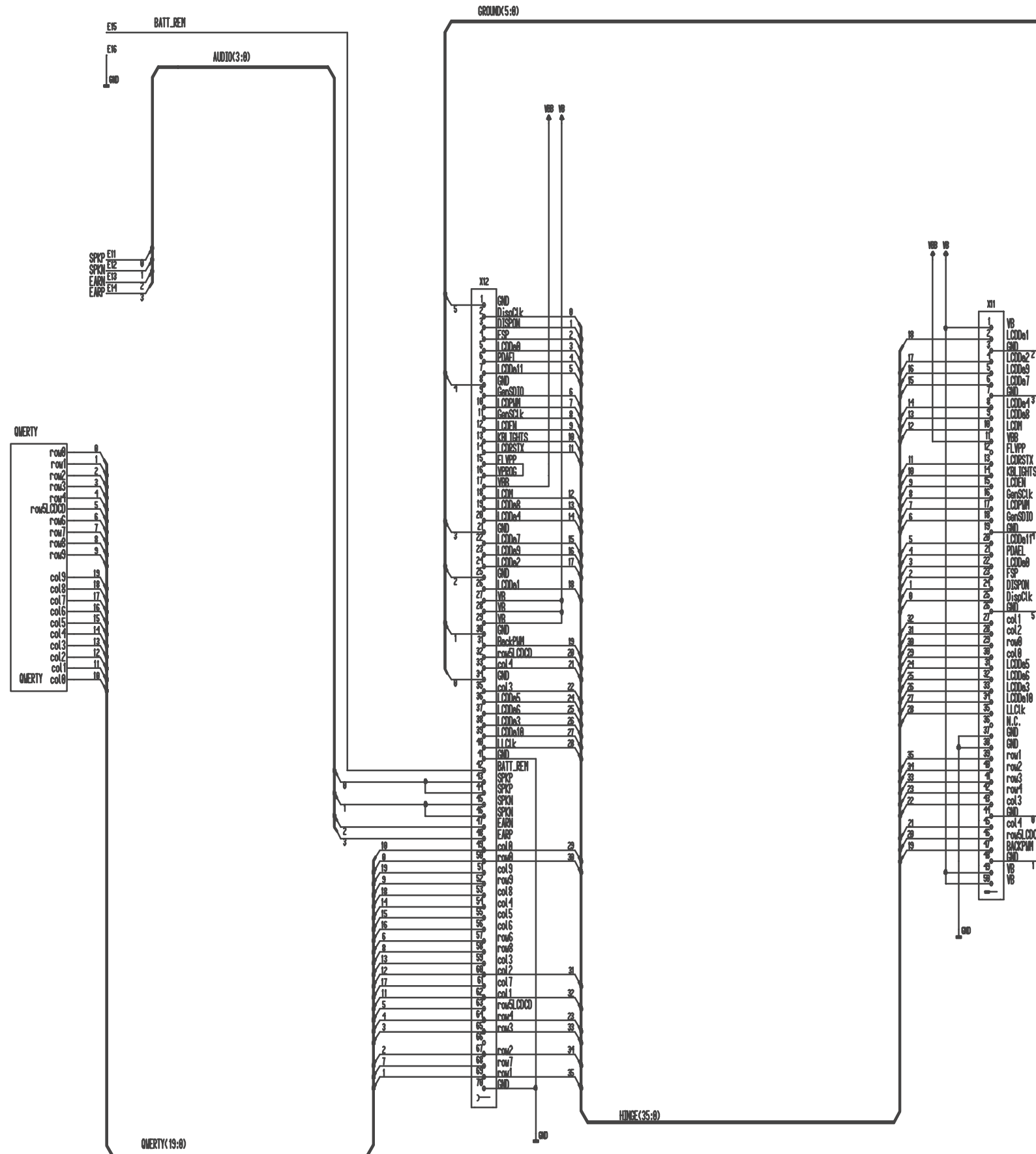
AMENDMENT RECORD SHEET

Amendment Number	Date	Inserted By	Comments
	06/01	OJuntunen	

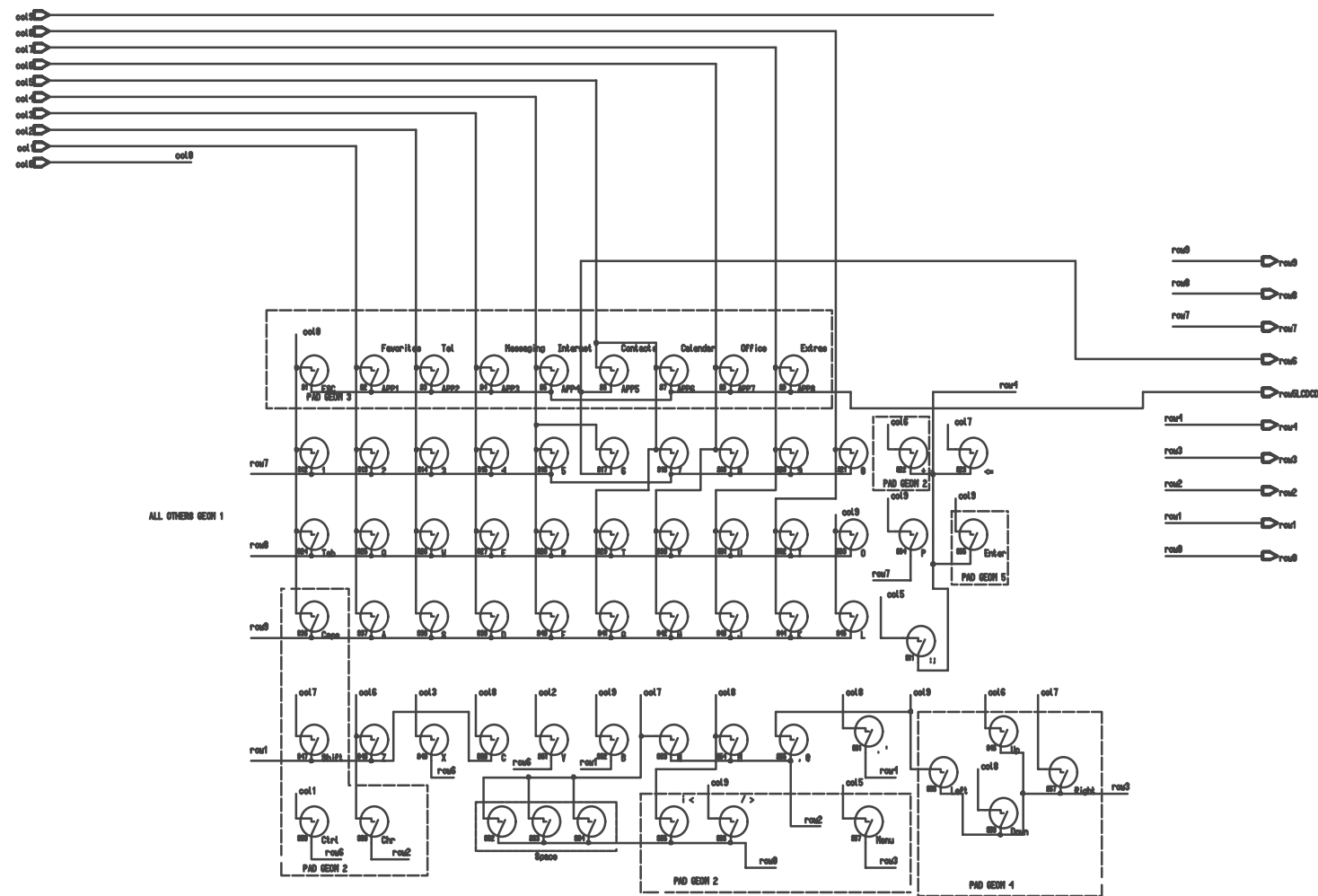
CONTENTS –Troubleshooting**Page No**

Block Diagram of FL1_08 QWERTY keypad (Version 0.0 Edit 37)	12 – 4
Block Diagram of FL1_08 QWERTY and Hinge flex (Version 0.0 Edit 27)	12 – 5
Circuit Diagram of UL2_21 CMT keypad and PDA Soft keys (Version 0.0 Edit 20)	12 – 6
Circuit Diagram of UL2_21 CMT UI LEDs (Version 0.0 Edit 28)	12 – 7
Circuit Diagram of UL2_21 CCFL power (Version 0.0 Edit 28) .	12 – 8
Circuit Diagram of UL2_21 PDA driver (Version 0.0 Edit 28) ..	12 – 9
Block Diagram of BL8_18 System (Version 0.0 Edit 40)	12 – 10
Circuit Diagram of BL8_18 System Conn (Version 0.0 Edit 117)	12 – 11
Circuit Diagram of BL8_18 Audio RFI (Version 0.0 Edit 136) ..	12 – 12
Circuit Diagram of BL8_18 CPU (Version 0.0 Edit 155)	12 – 13
Circuit Diagram of BL8_18 IRDA (Version 0.0 Edit 77)	12 – 14
Circuit Diagram of BL8_18 memories (Version 0.0 Edit 87) ...	12 – 15
Circuit Diagram of BL8_18 MMC (Version 0.0 Edit 65)	12 – 16
Circuit Diagram of BL8_18 Power (Version 0.0 Edit 204)	12 – 17
Circuit Diagram of BL8_18 User interface (Version 0.0 Edit 136)	12 – 18
Circuit Diagram of BL8_18 RF/BB Connector (Version 1.0 Edit 55)	12 – 19
Circuit Diagram of BL8_18 RF (Version 0.0 Edit 136)	12 – 20
Parts Placement Diagram of BL8_18 1/2	12 – 21
Parts Placement Diagram of BL8_18 2/2	12 – 22
BL8 Test Points v. 18 1/2	12 – 23
BL8 Test Points v. 18 1/2	12 – 24
UL2 Test Points v. 21	12 – 25

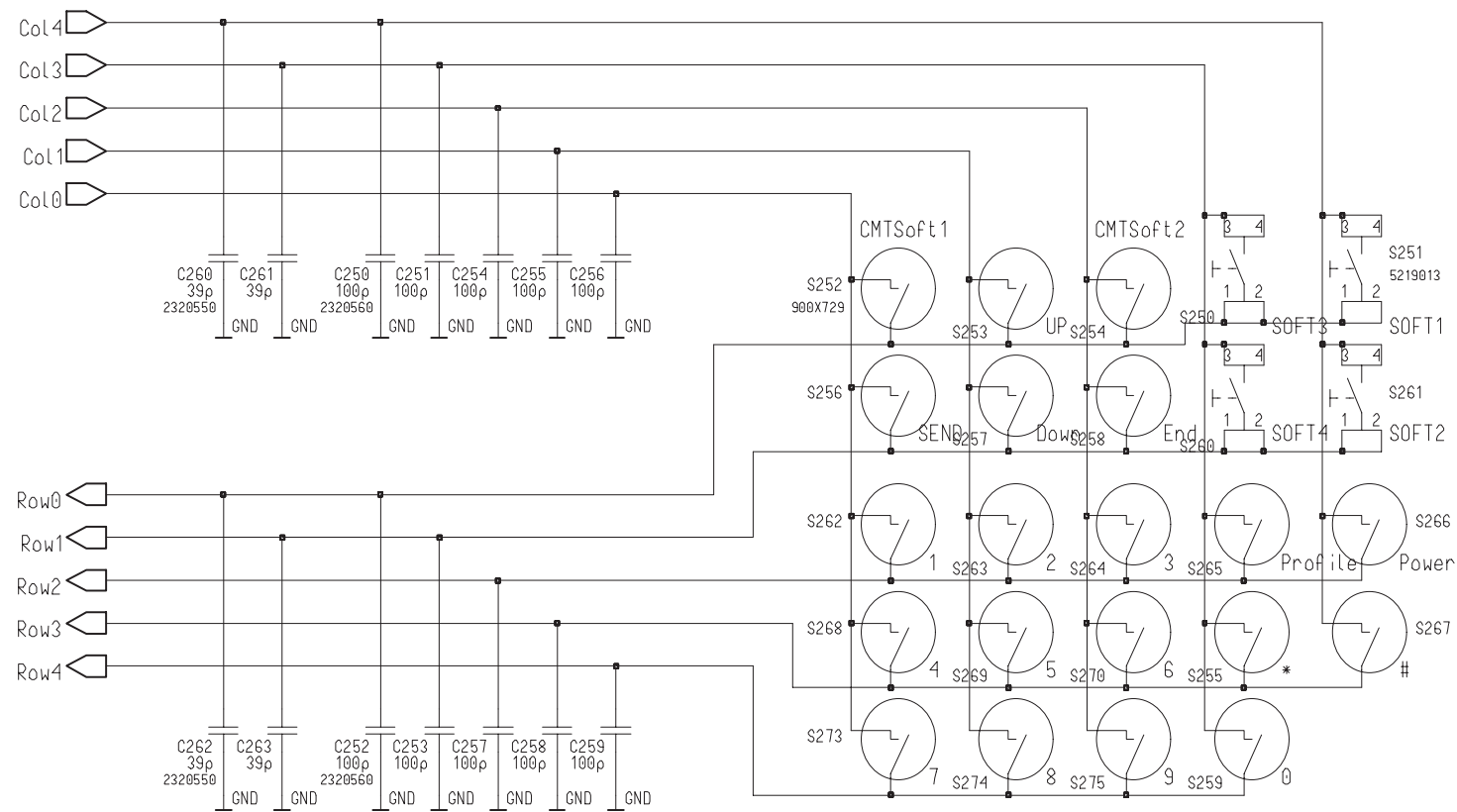
Block Diagram of FL1_08 QWERTY keypad (Version 0.0 Edit 37)



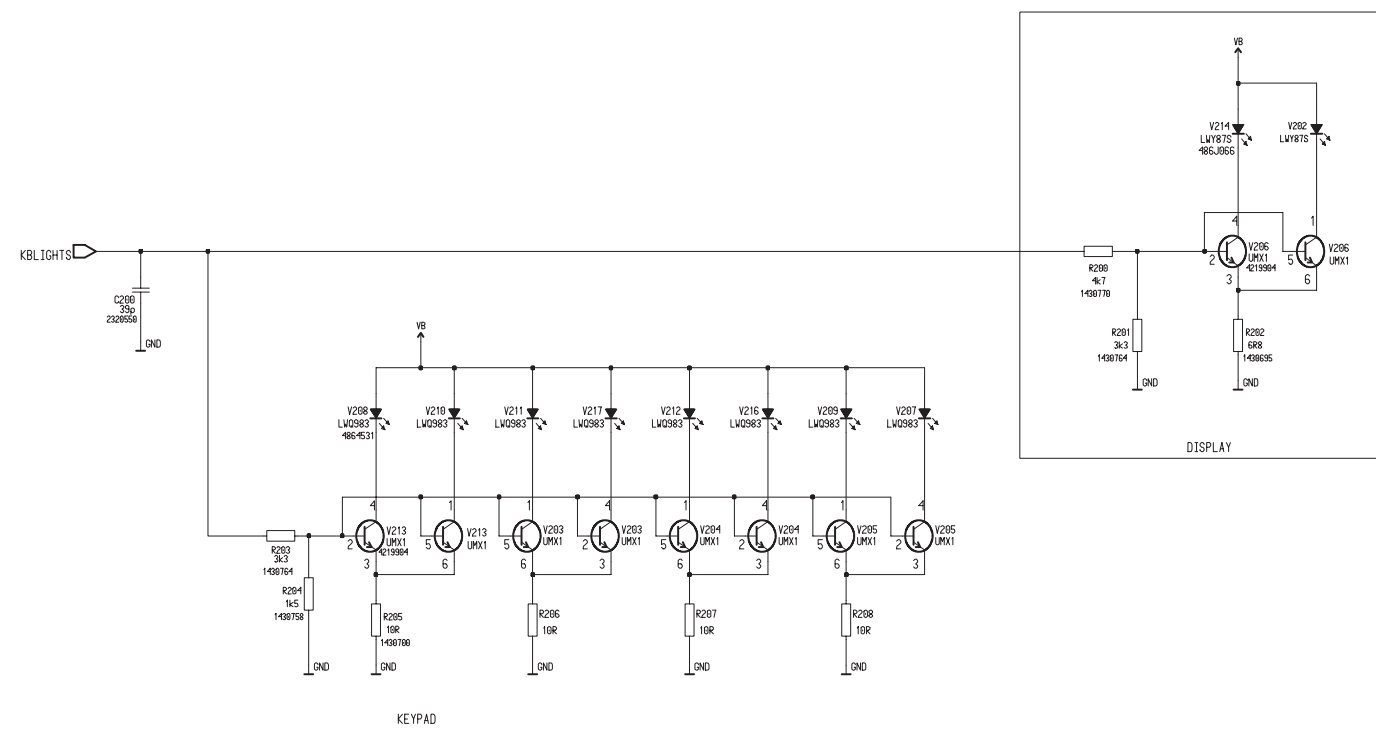
Block Diagram of FL1_08 QWERTY and Hinge flex (Version 0.0 Edit 27)



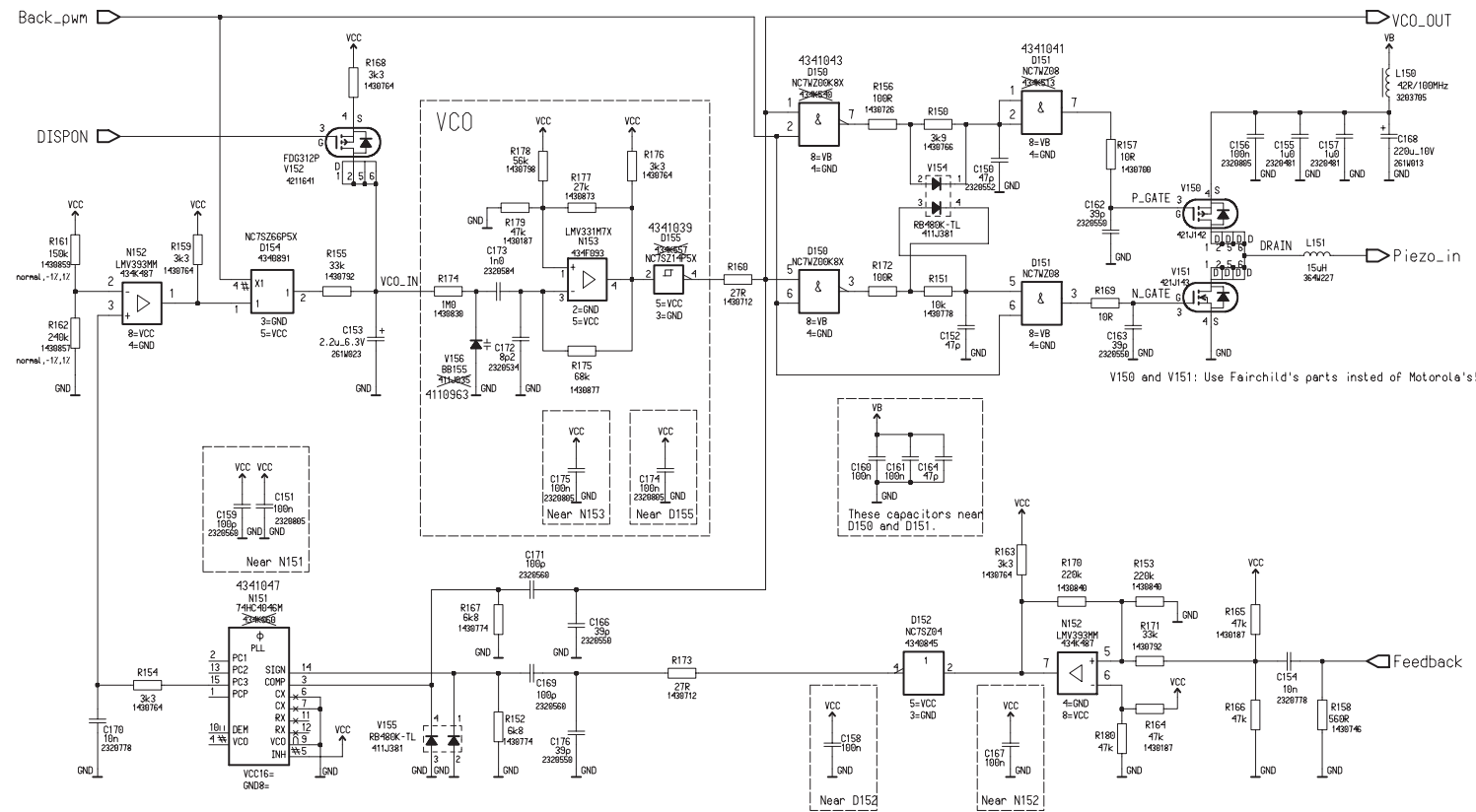
Circuit Diagram of UL2_21 CMT keypad and PDA Soft keys (Version 0.0 Edit 20)



Circuit Diagram of UL2_21 CMT UI LEDs (Version 0.0 Edit 28)

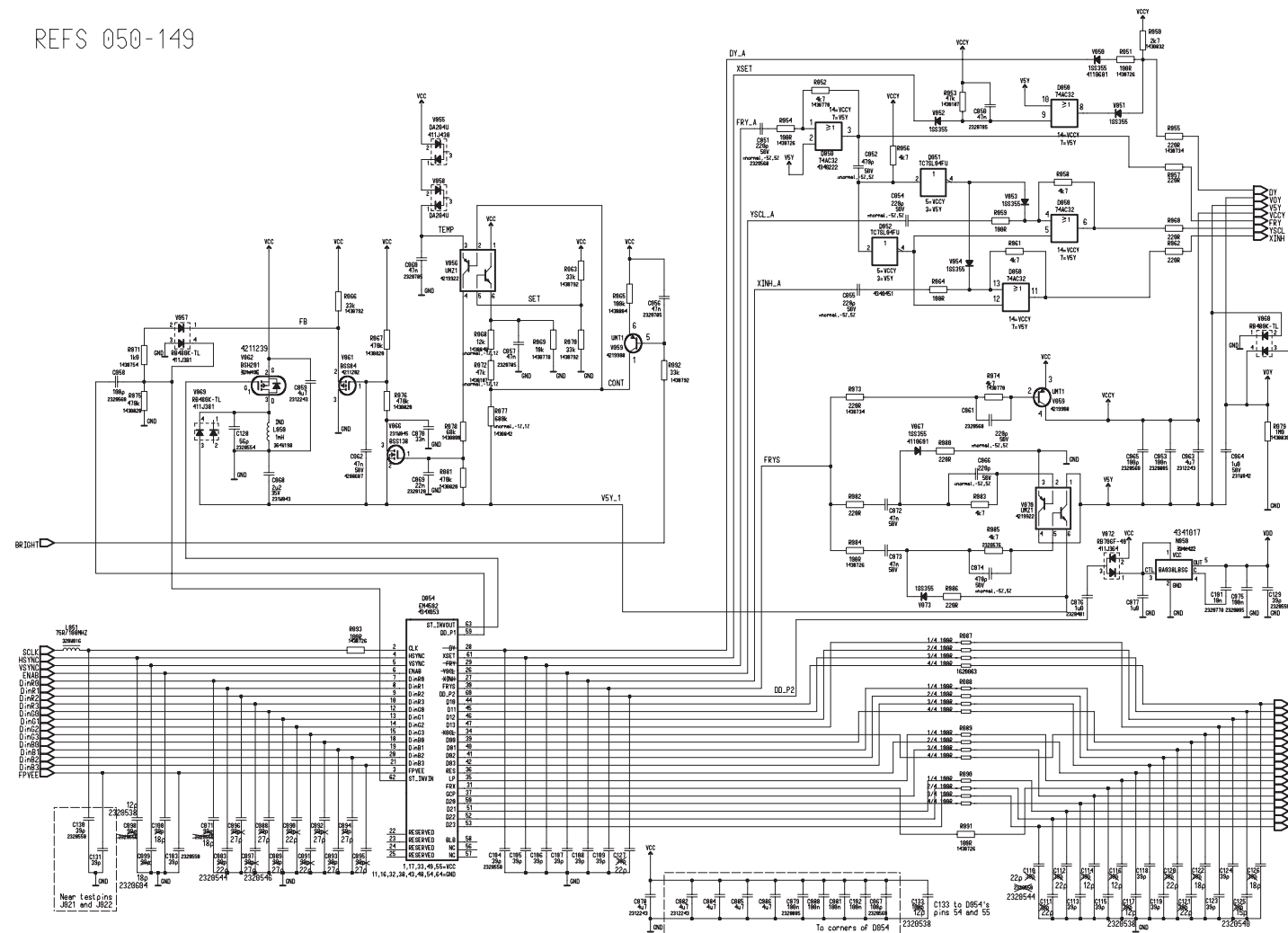


Circuit Diagram of UL2_21 CCFL power (Version 0.0 Edit 28)

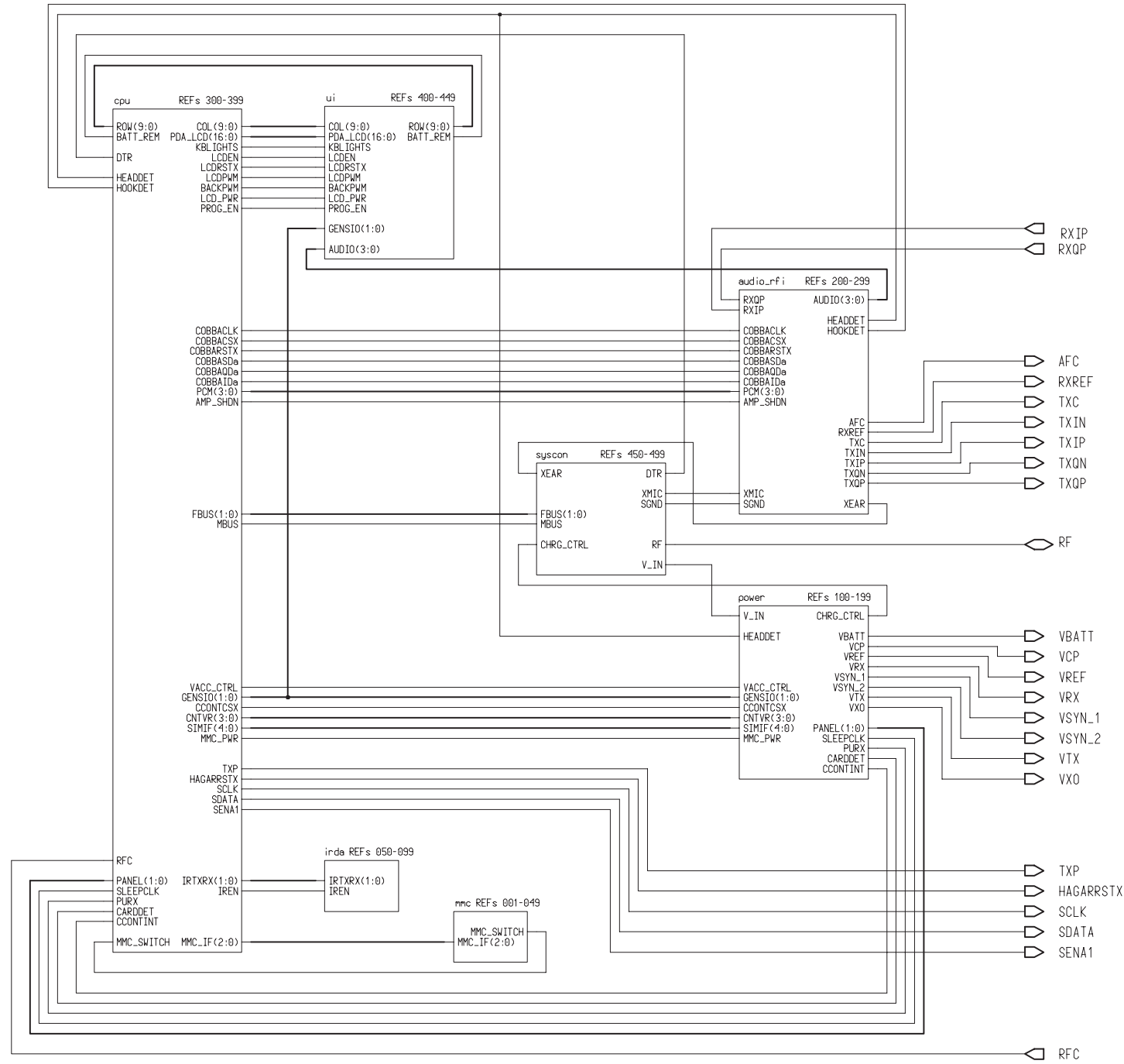


Circuit Diagram of UL2_21 PDA driver (Version 0.0 Edit 28)

REFS 050-149

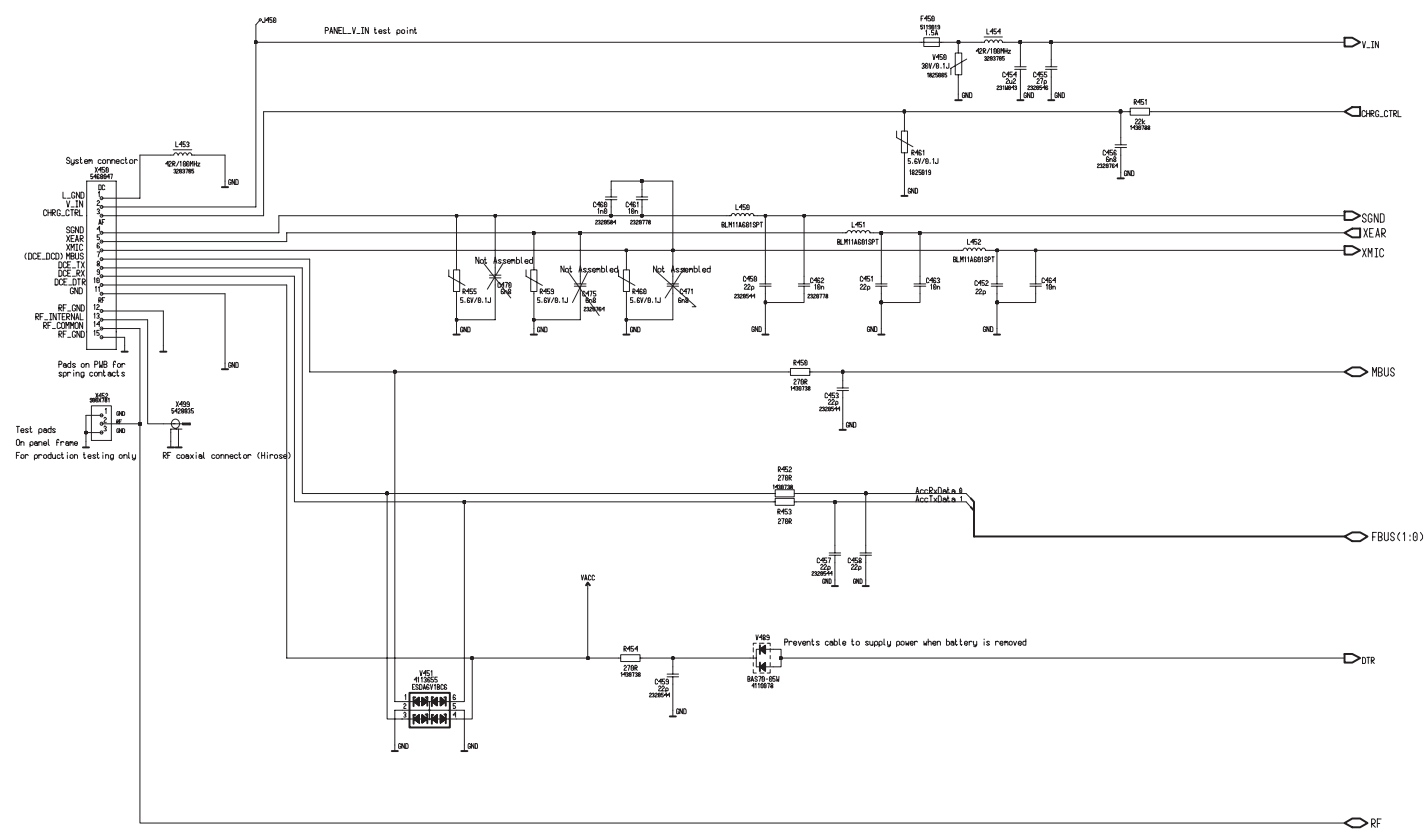


Block Diagram of BL8_18 System (Version 0.0 Edit 40)

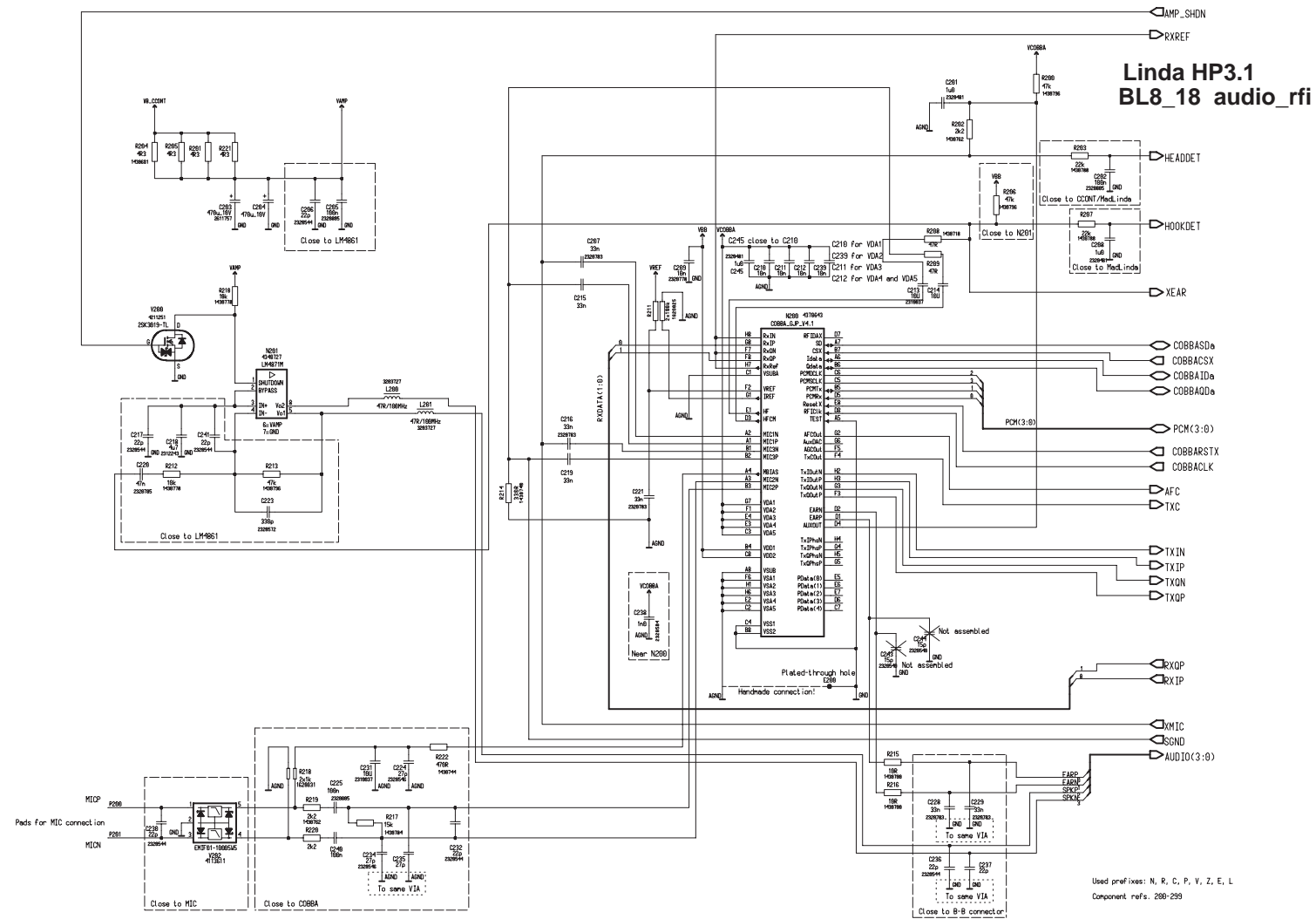


Circuit Diagram of BL8_18 System Connector (Version 0.0 Edit 117)

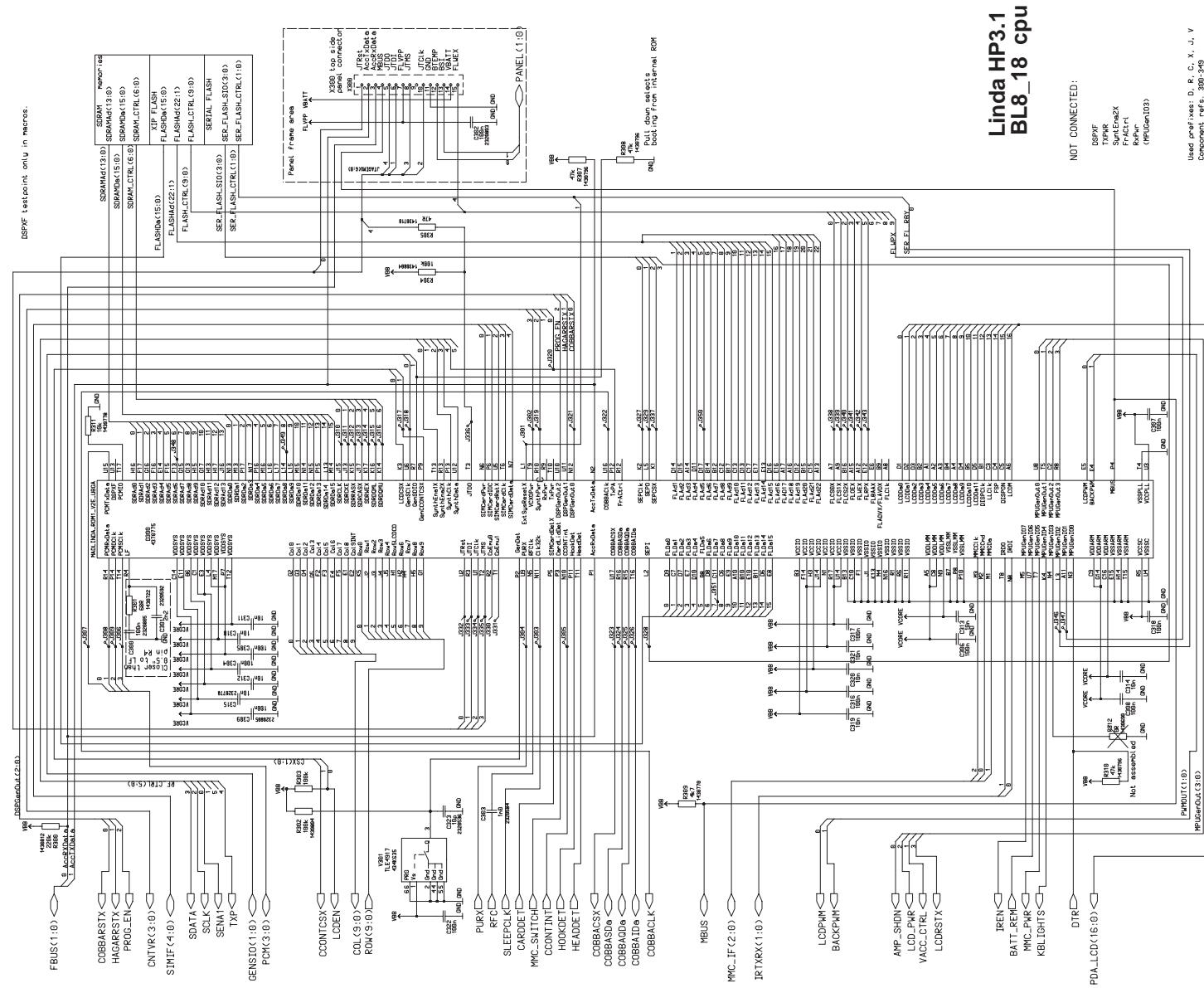
BL8_18 syscon



Circuit Diagram of BL8_18 Audio RFI (Version 0.0 Edit 136)



Circuit Diagram of BL8_18 CPU (Version 0.0 Edit 155)

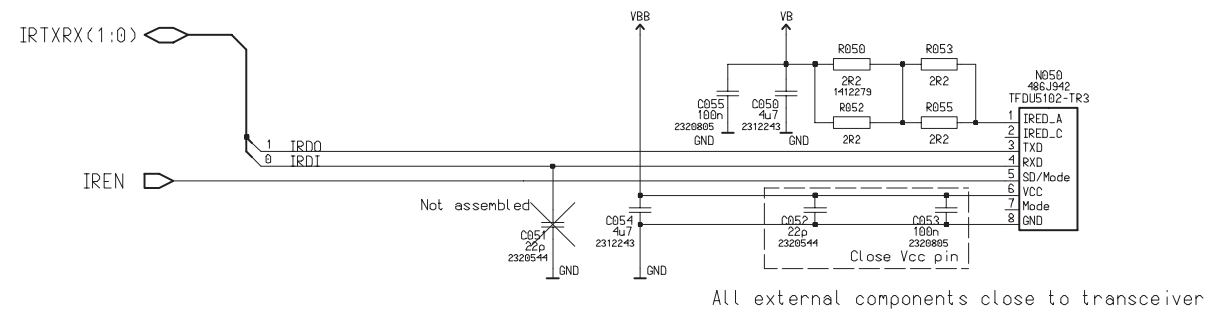


Linda HP3.1
BL8_18 cpu

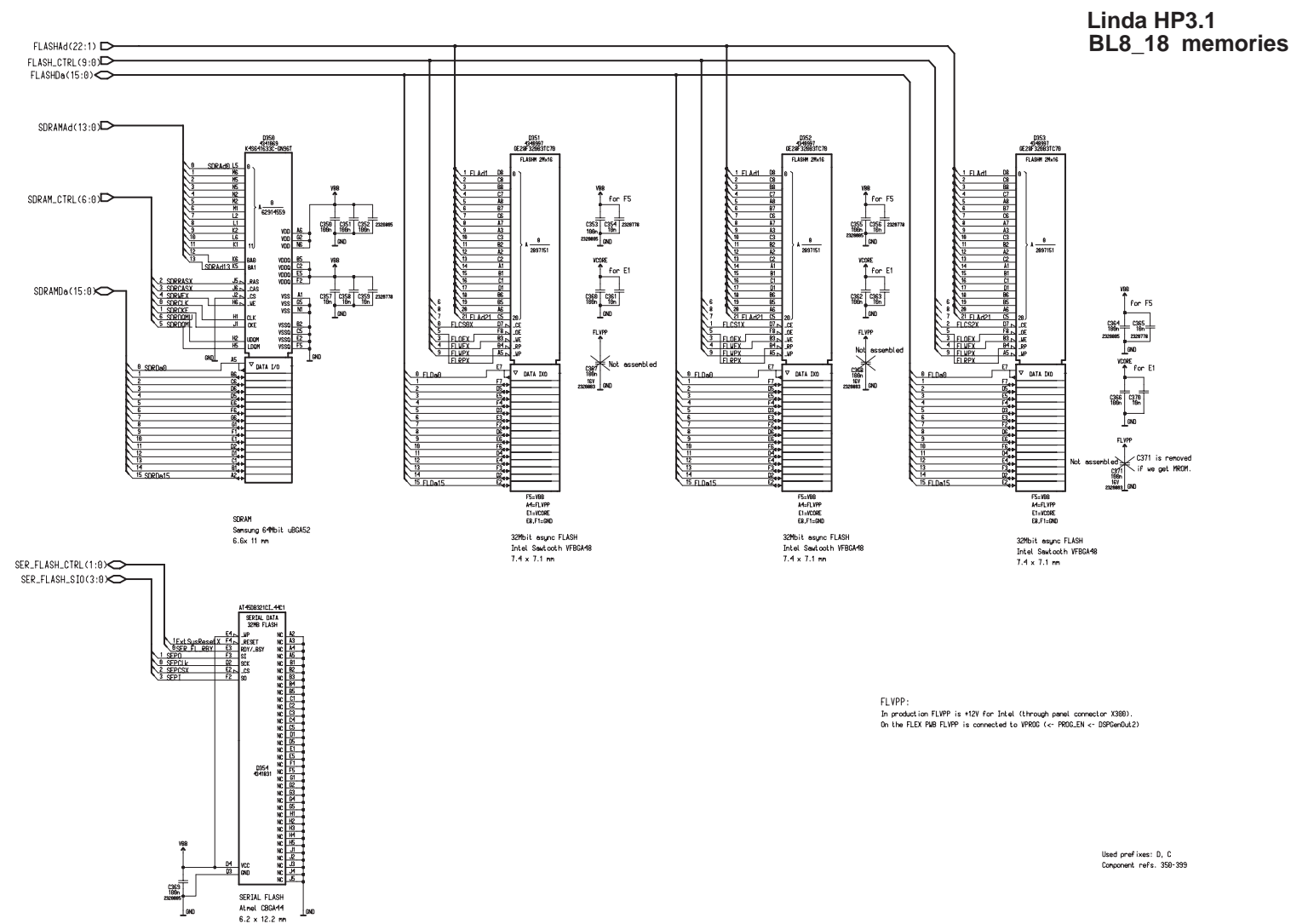
NOT CONNECTED:
DSPF
SurfEmax
FR-4
Rohm
09050103

Used profiles: D, B, C, X, J, Y
Component refs: 380-549
J refs are out of range!

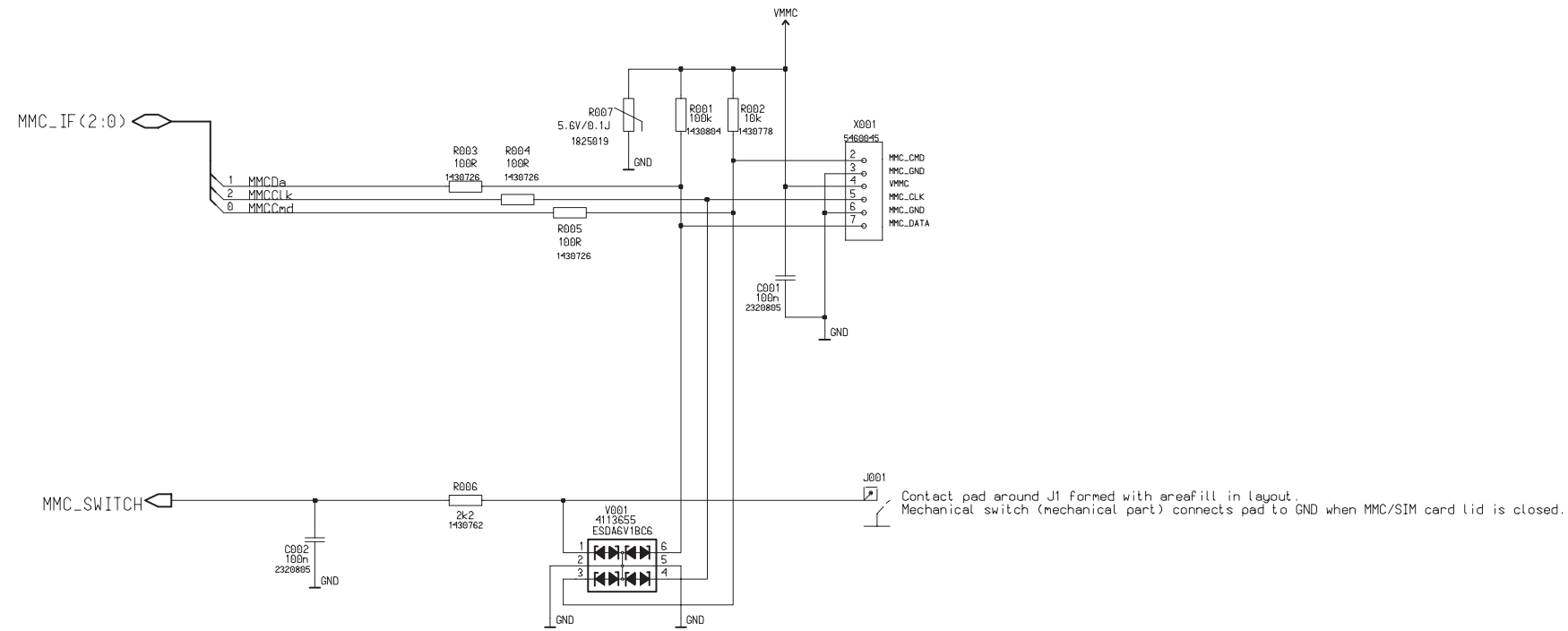
Circuit Diagram of BL8_18 IRDA (Version 0.0 Edit 77)



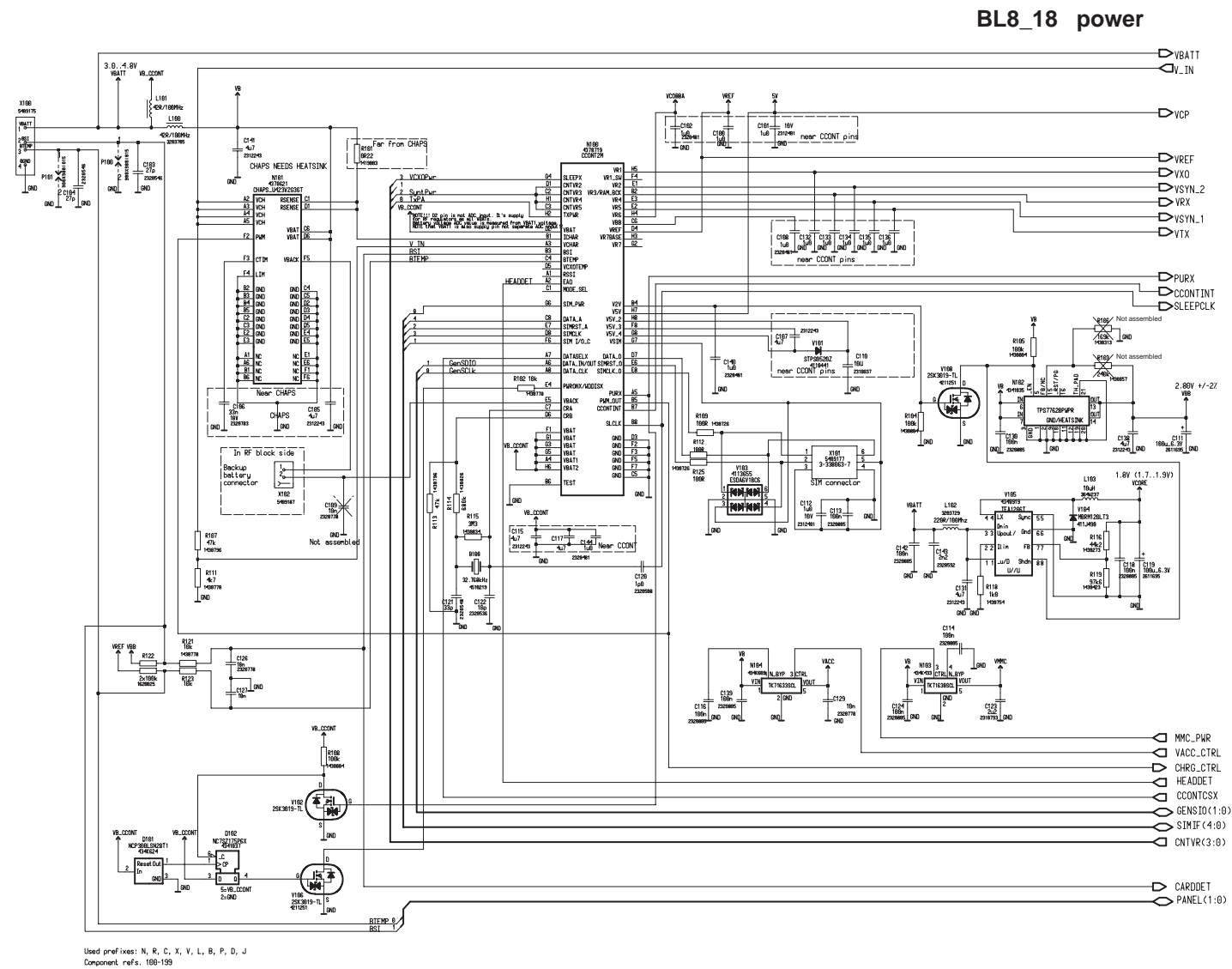
Circuit Diagram of BL8_18 memories (Version 0.0 Edit 87)



Circuit Diagram of BL8_18 MMC (Version 0.0 Edit 65)

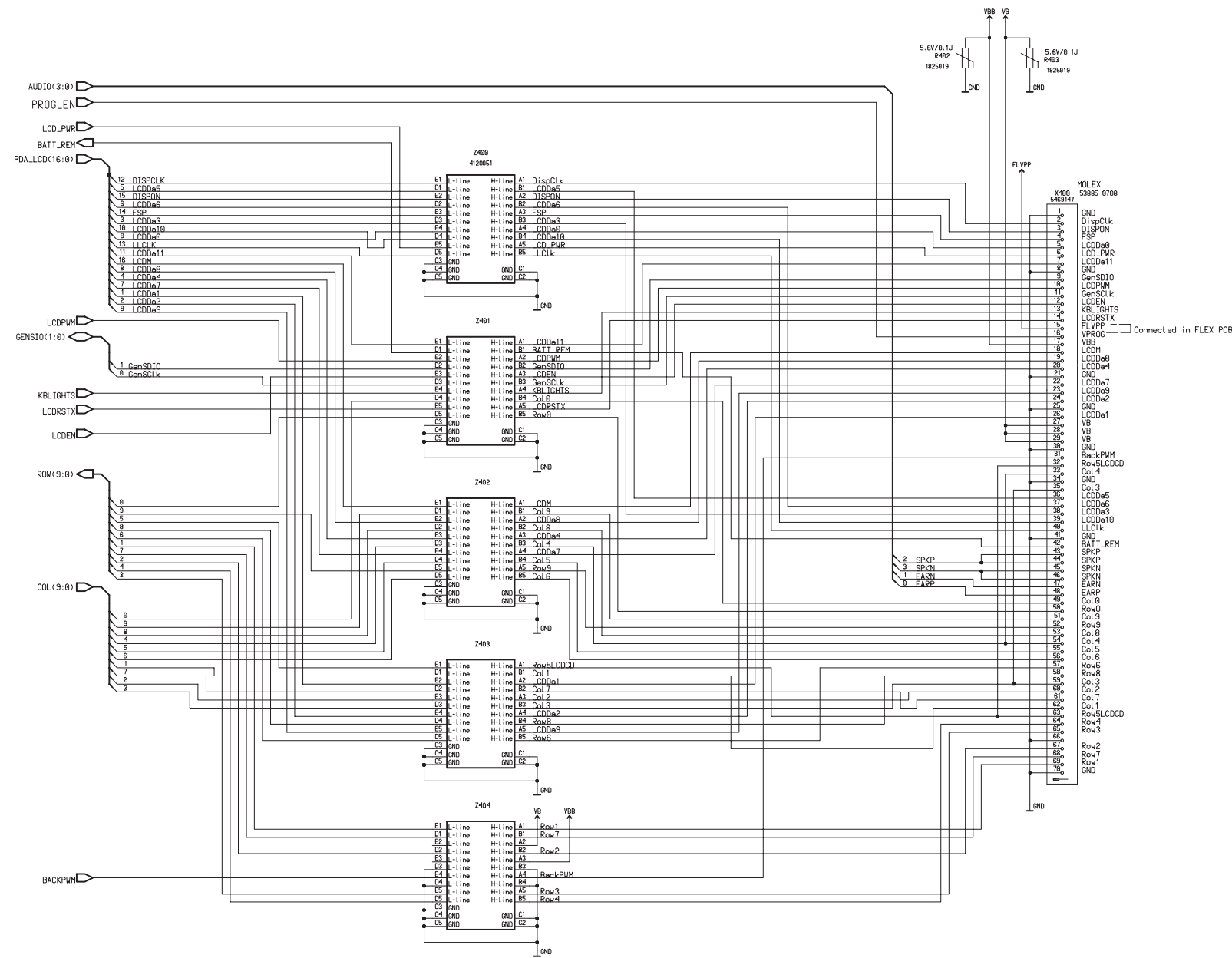


Circuit Diagram of BL8_18 Power (Version 0.0 Edit 204)

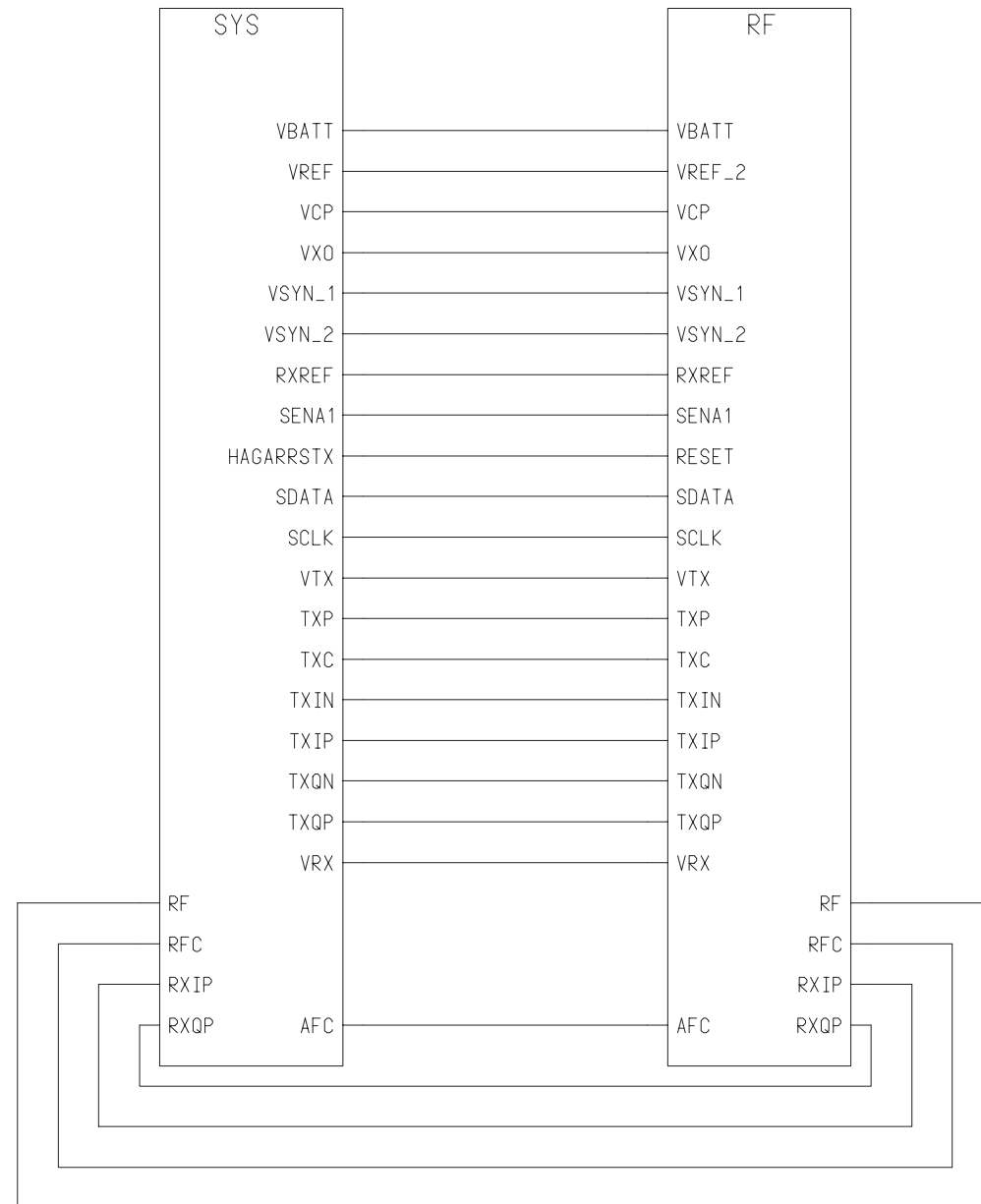


BL8_18 power

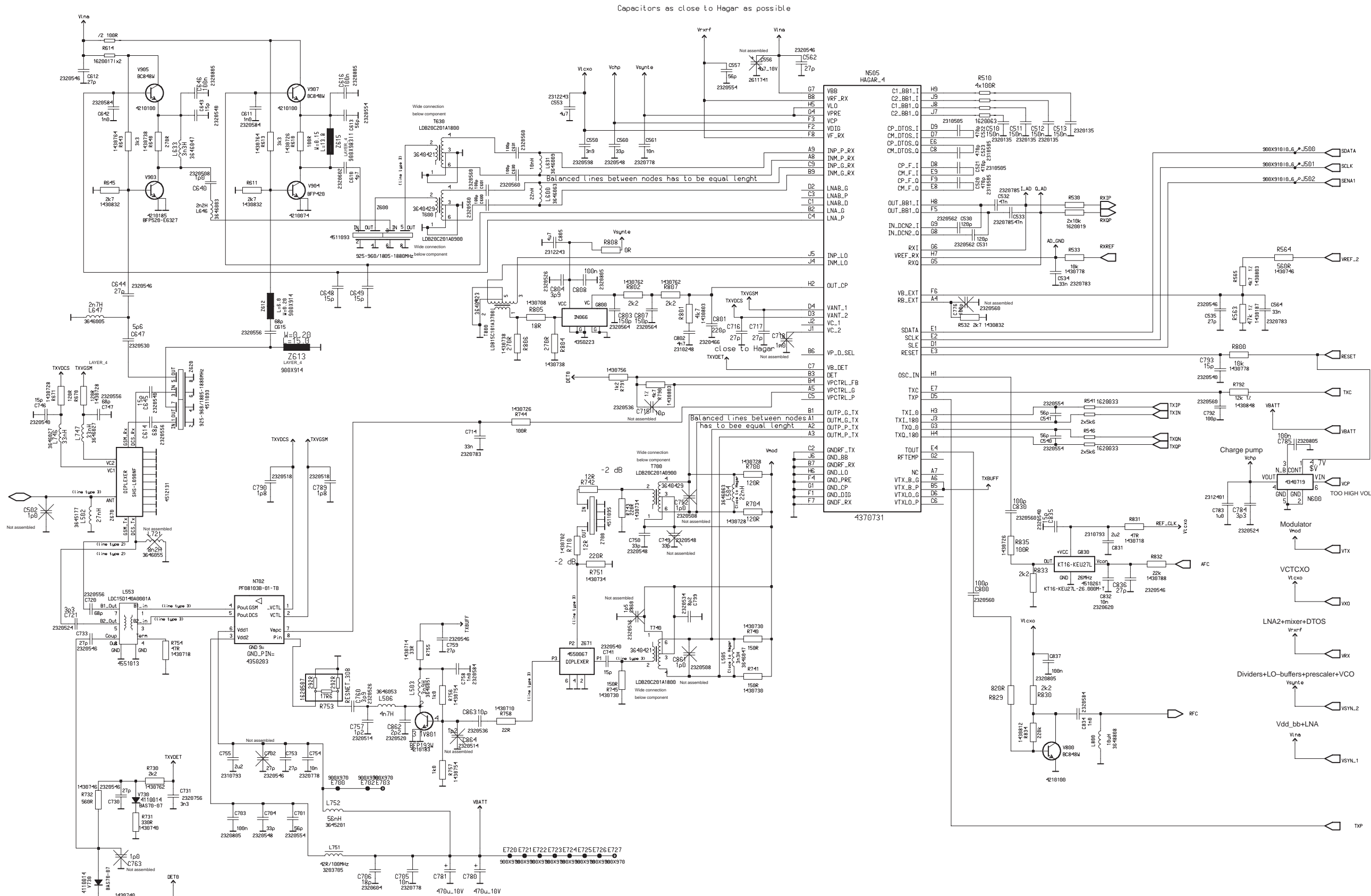
Circuit Diagram of BL8_18 User interface (Version 0.0 Edit 136)



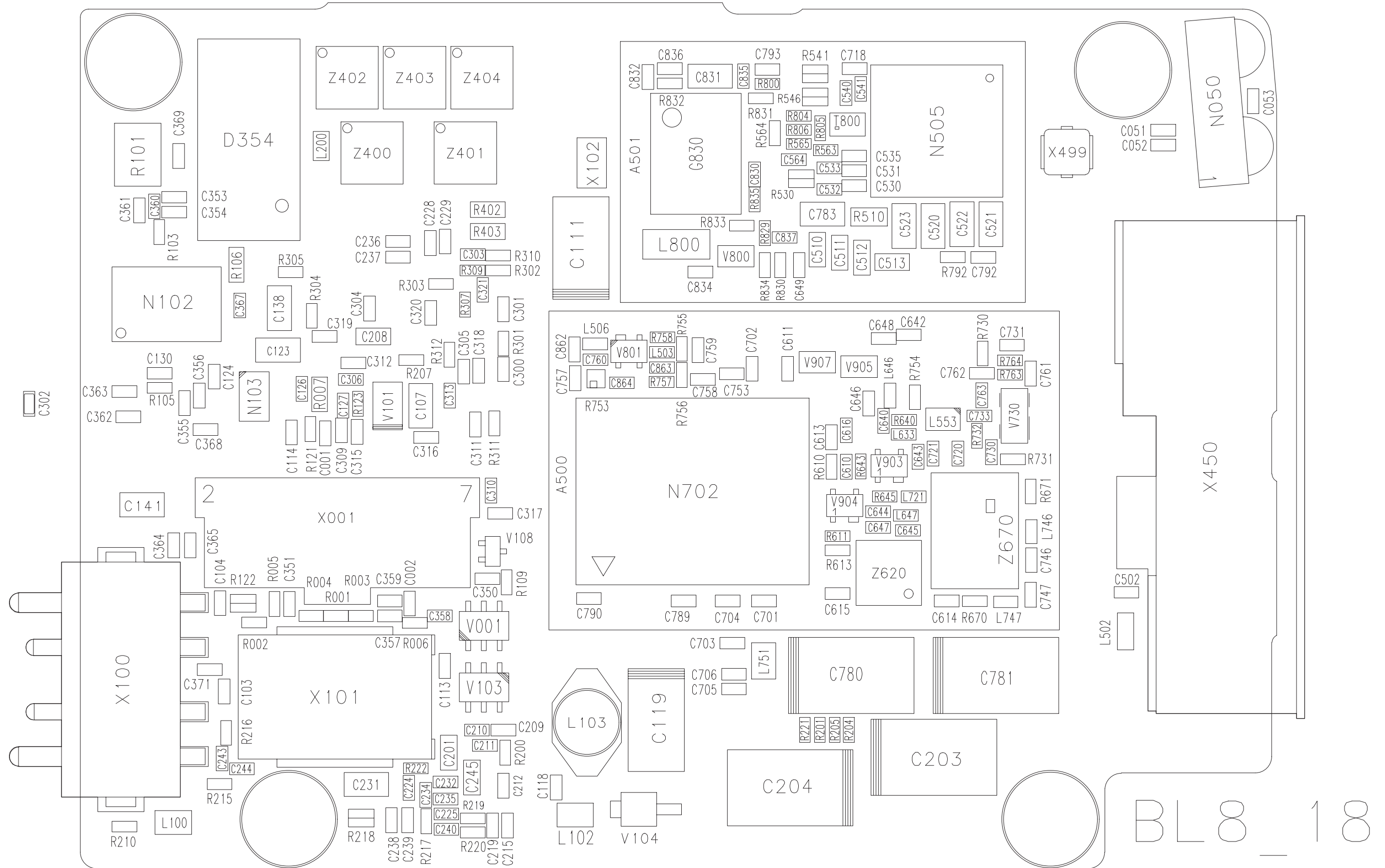
Circuit Diagram of BL8_18 RF/BB Connector (Version 1.0 Edit 55)



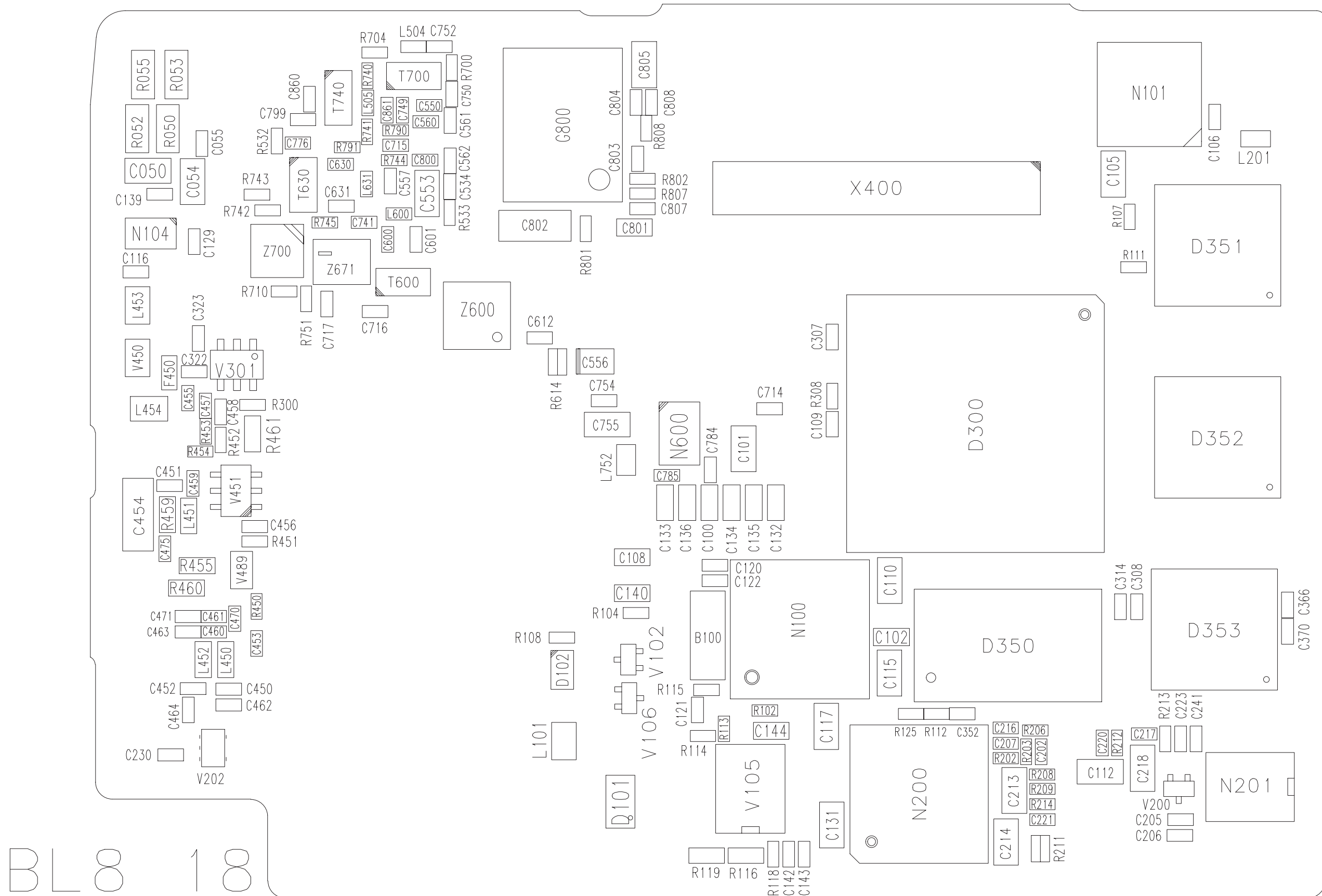
Circuit Diagram of BL8_18 RF (Version 0.0 Edit 136)



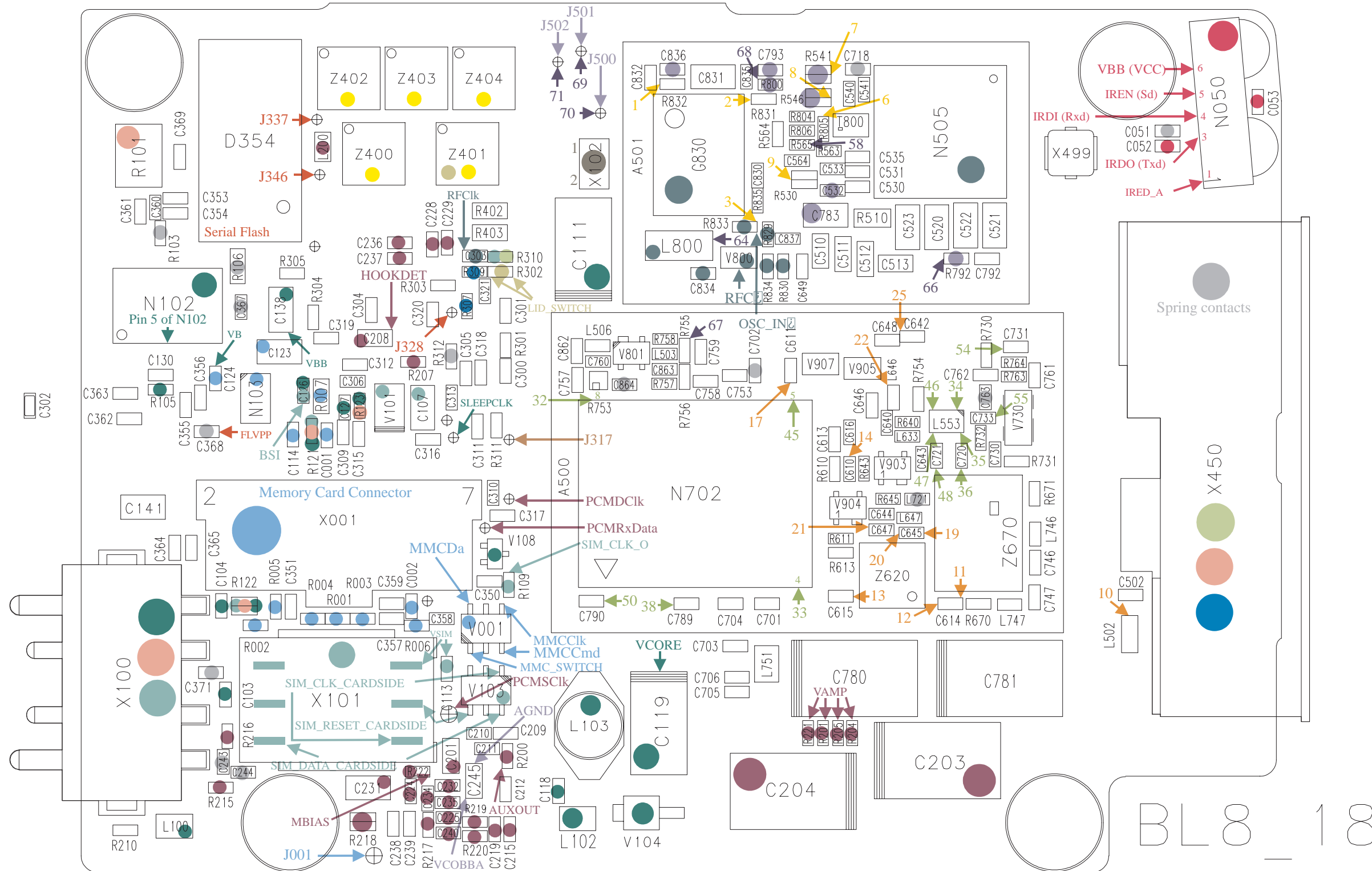
Parts Placement Diagram of BL8_18 1/2



Parts Placement Diagram of BL8_18 2/2



BL8 Test Points v. 18 1/2



Audio & PCM
 CCONT serial interface
 Charging
 Clocks
 COBBA serial interface

IRDA
 Memory
 MMC
 Power
 Serial

UI interface
 SIM I/O
 Switches
 RF Interface
 Accessory power

Backup battery

RX
 RF power
 VCO and IQ
 TX

Not assembled

BL8_18

UL2 Test Points v. 21

