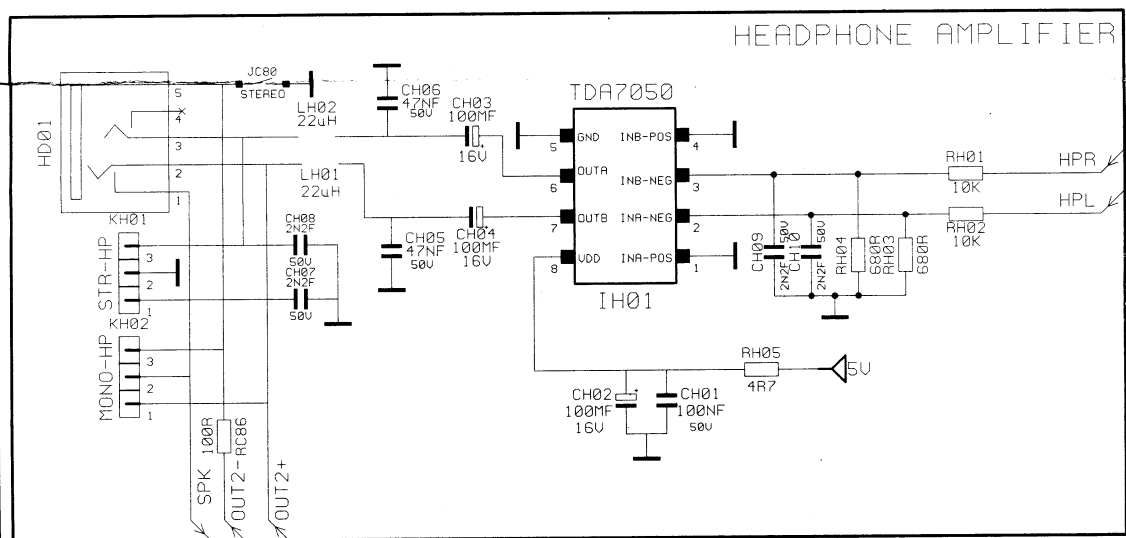
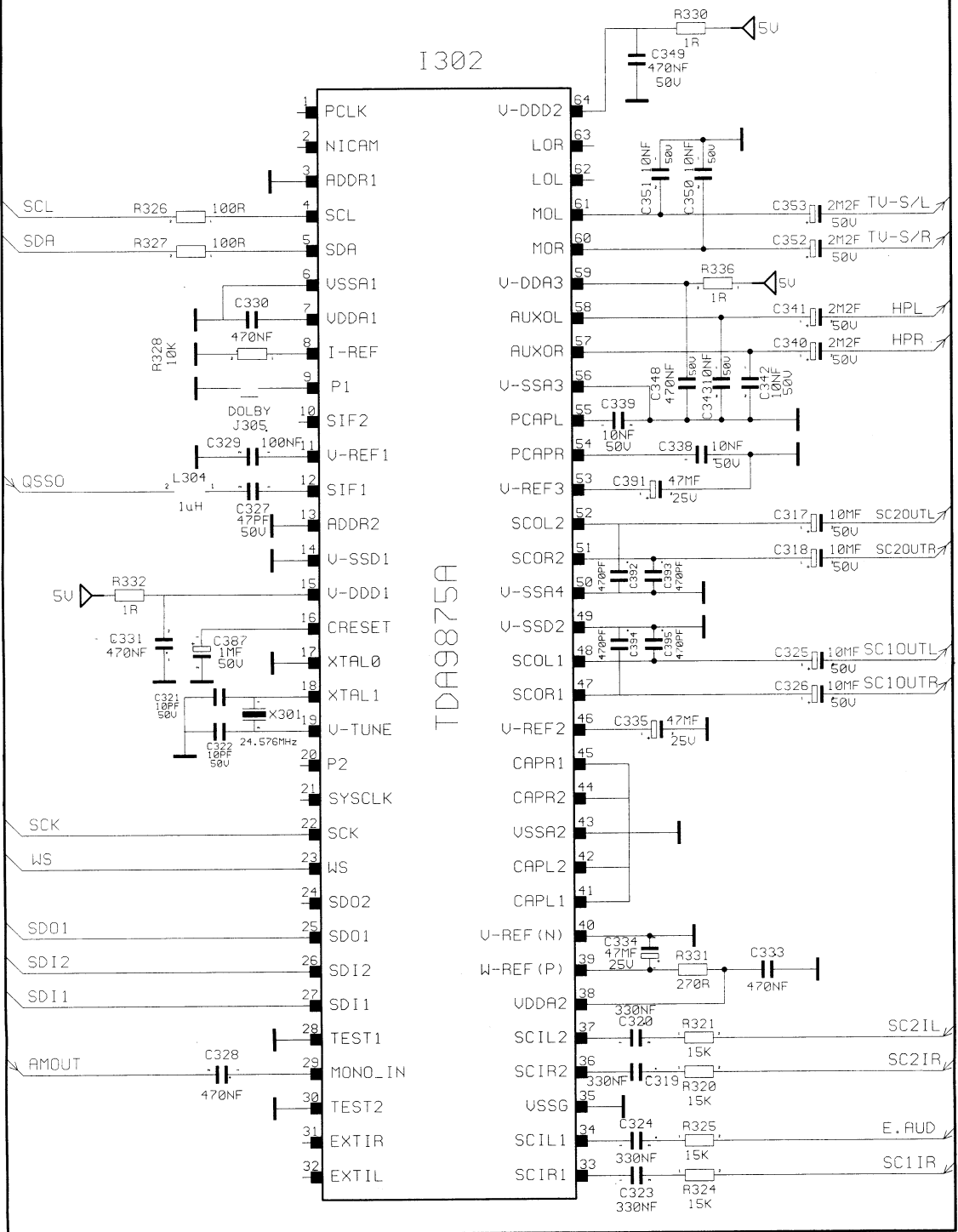


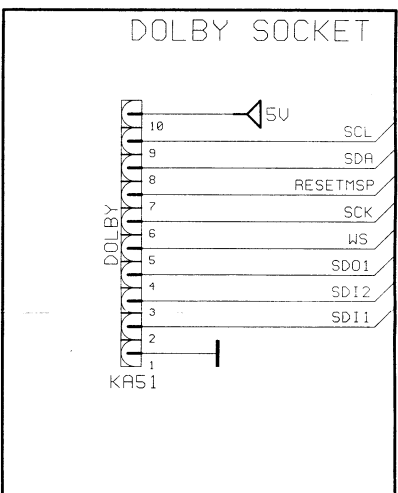
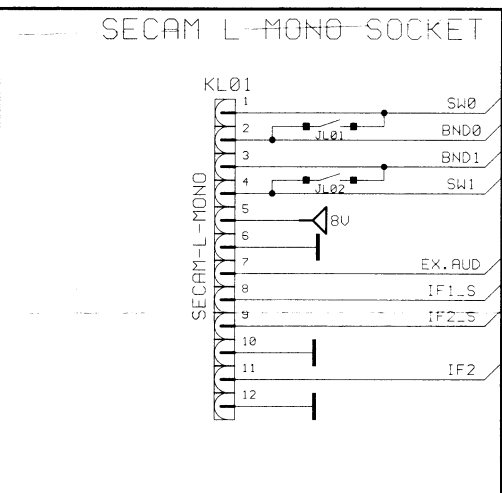
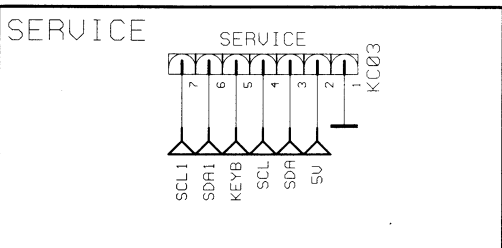
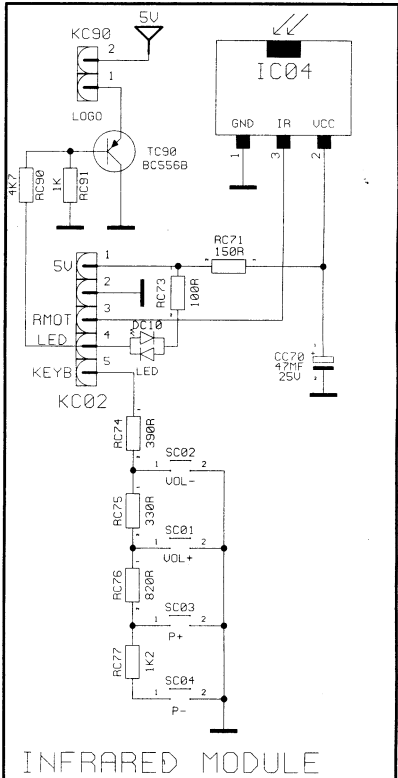
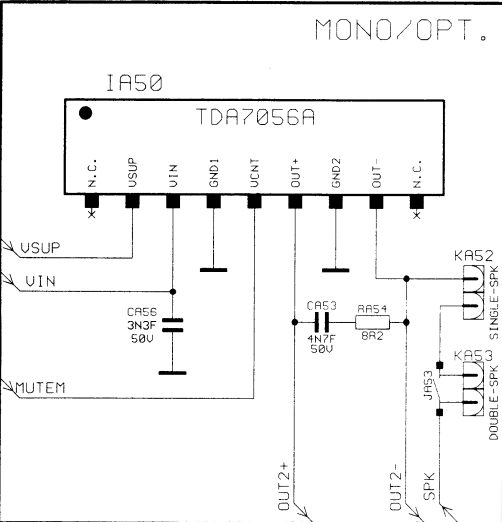
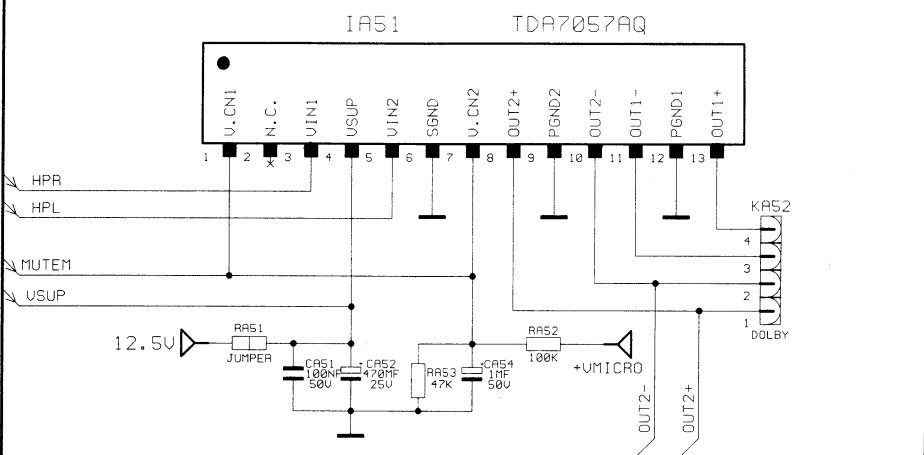
# SOUND PROCESSOR

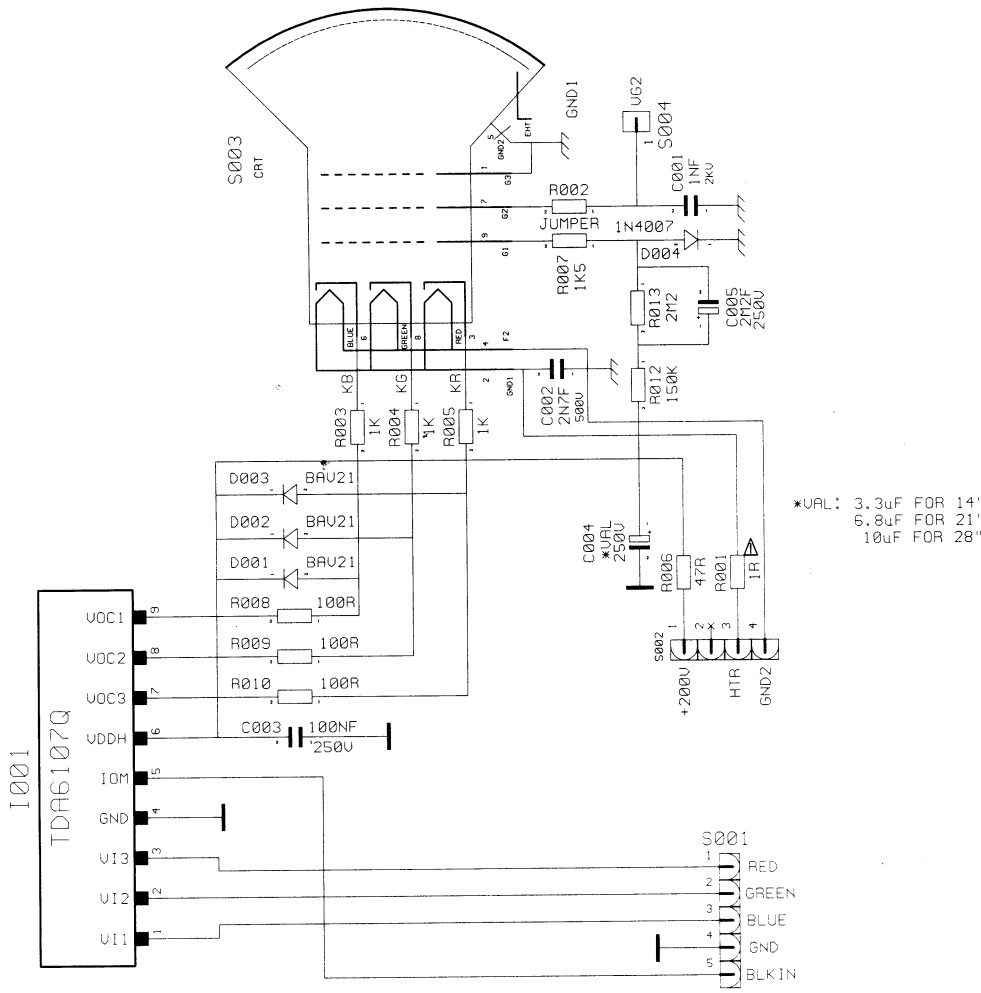




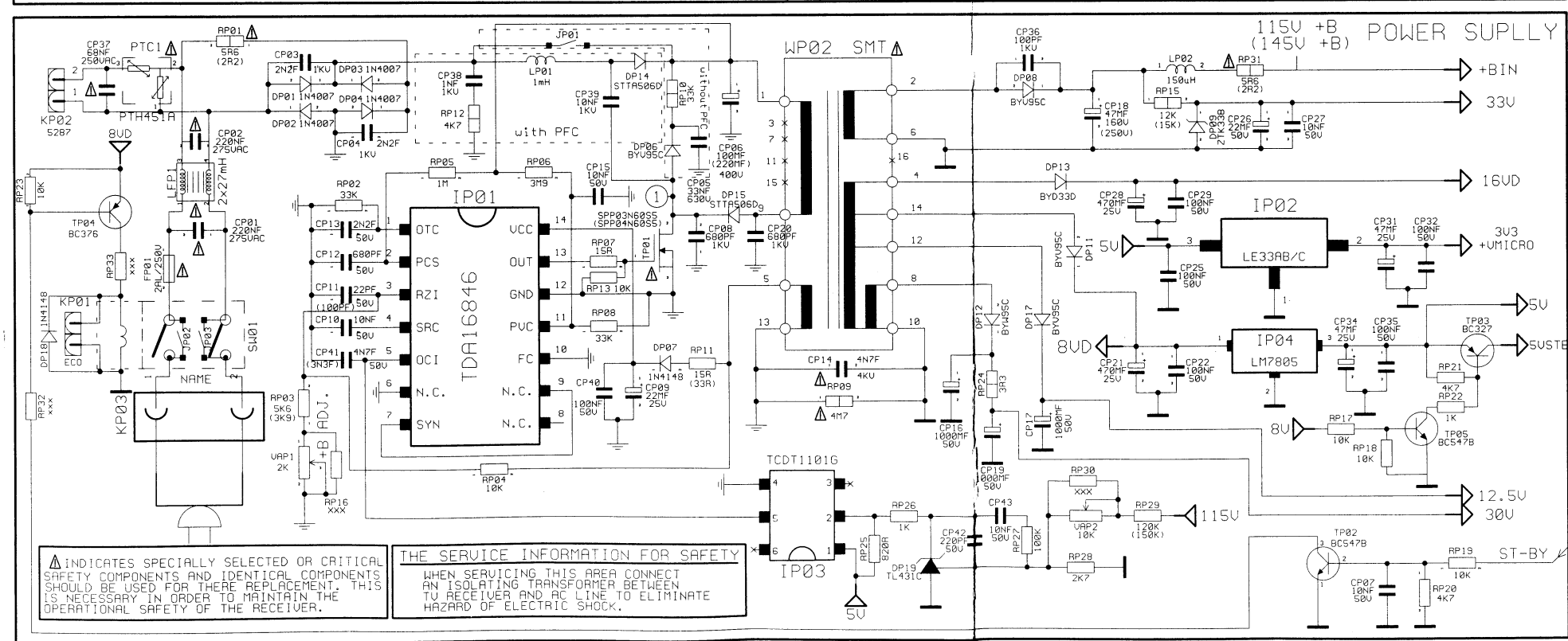
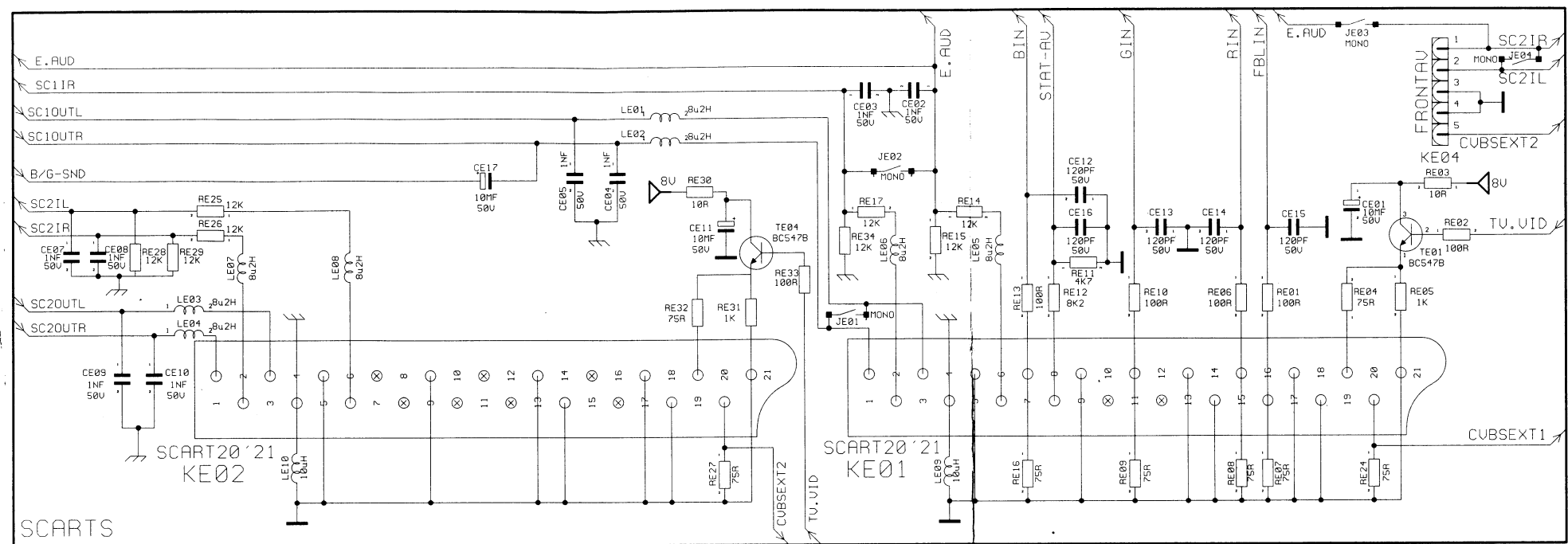


# DOLBY AMPLIFIER



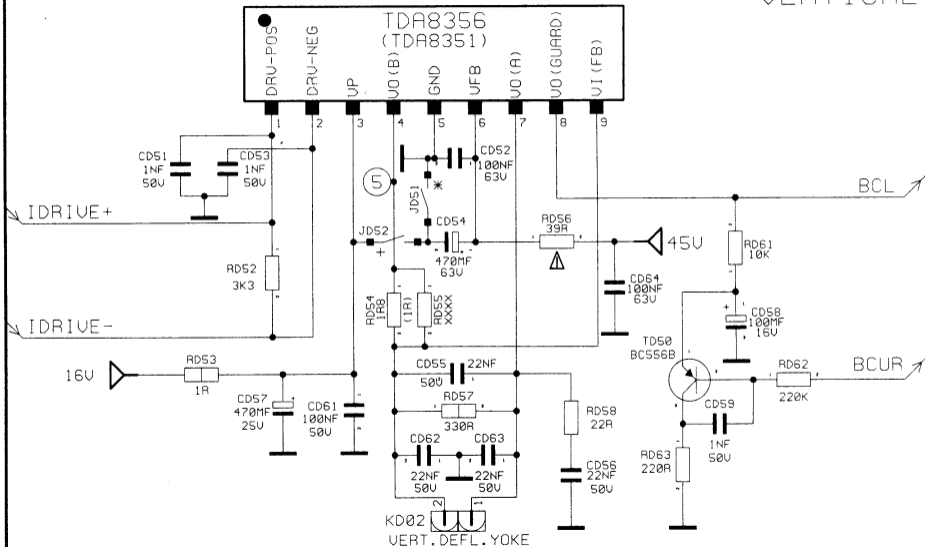


\*VAL: 3.3uF FOR 14"  
 6.8uF FOR 21"  
 10uF FOR 28"

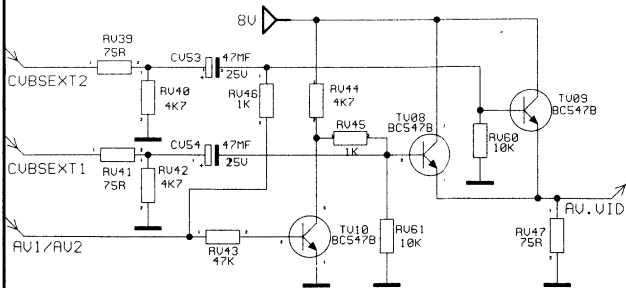


ID50

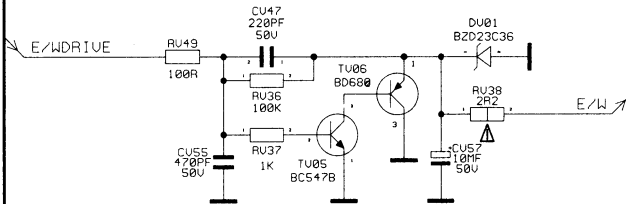
VERTICAL



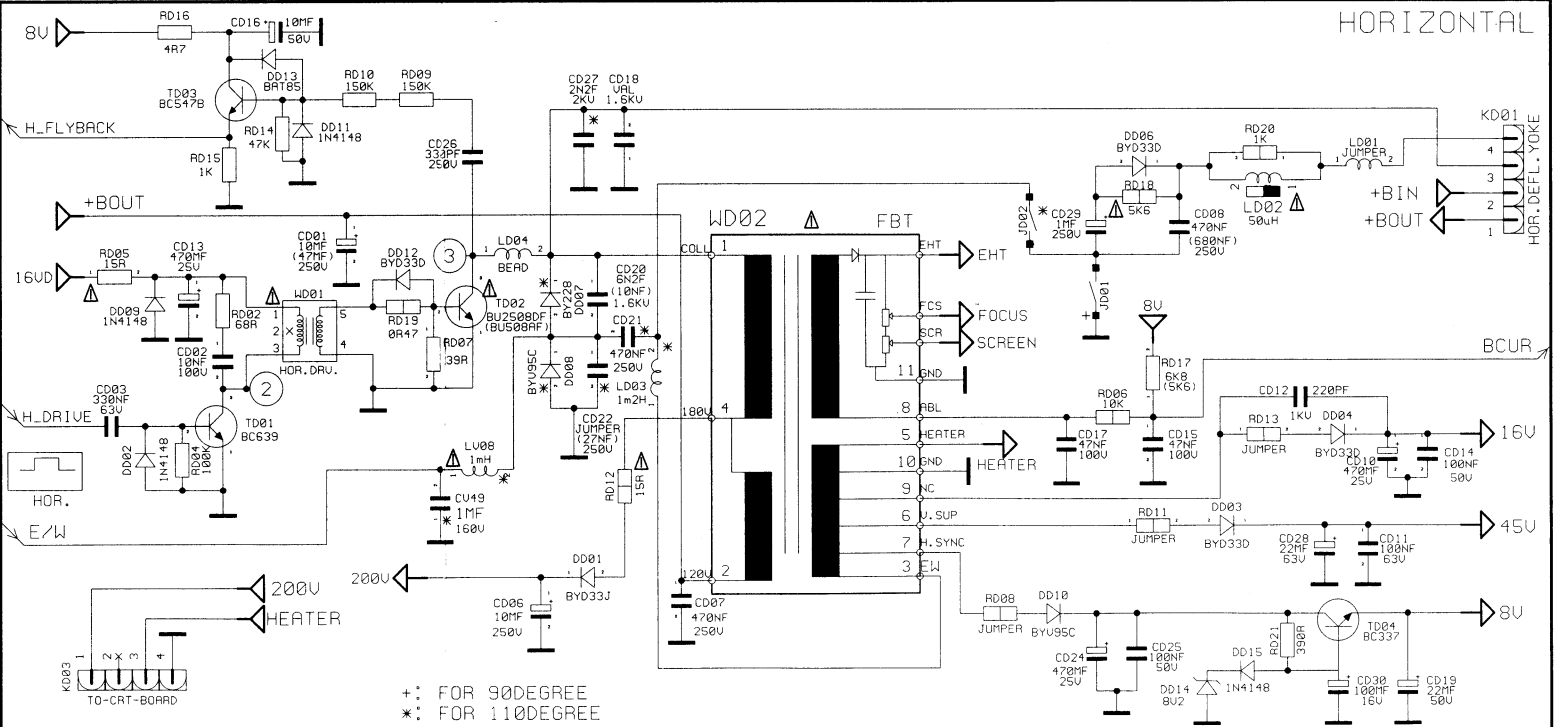
# VIDEO SWITCH



# E/W DRIVE







+: FOR 90DEGREE  
 \*: FOR 110DEGREE

PT92 CHASSIS SCHEMATIC DIAGRAM VER. C

28" w/s CD21-680nf 250v