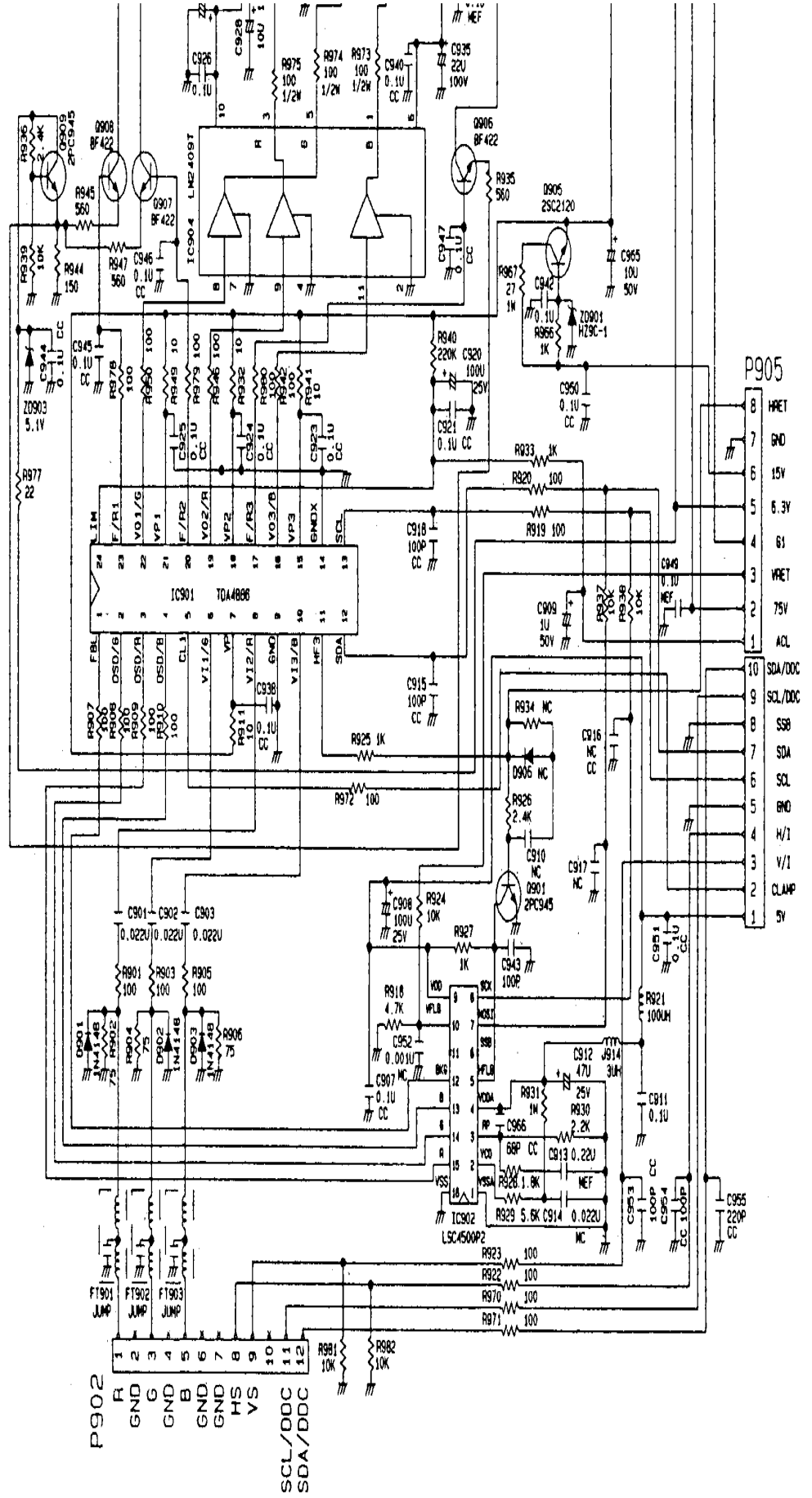
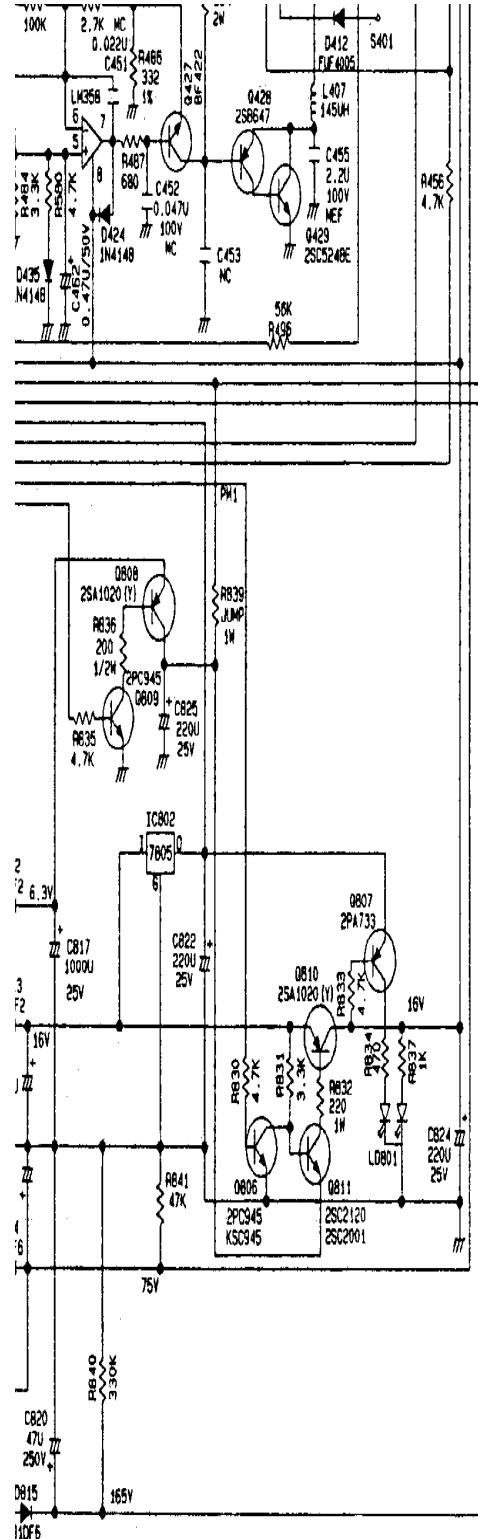


5V	4	L	H	H
5V	4	L	L	L
5V	4	H	H	H
5V	4	H	L	L
5V	4	L	L	L



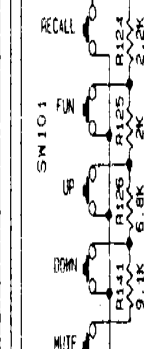
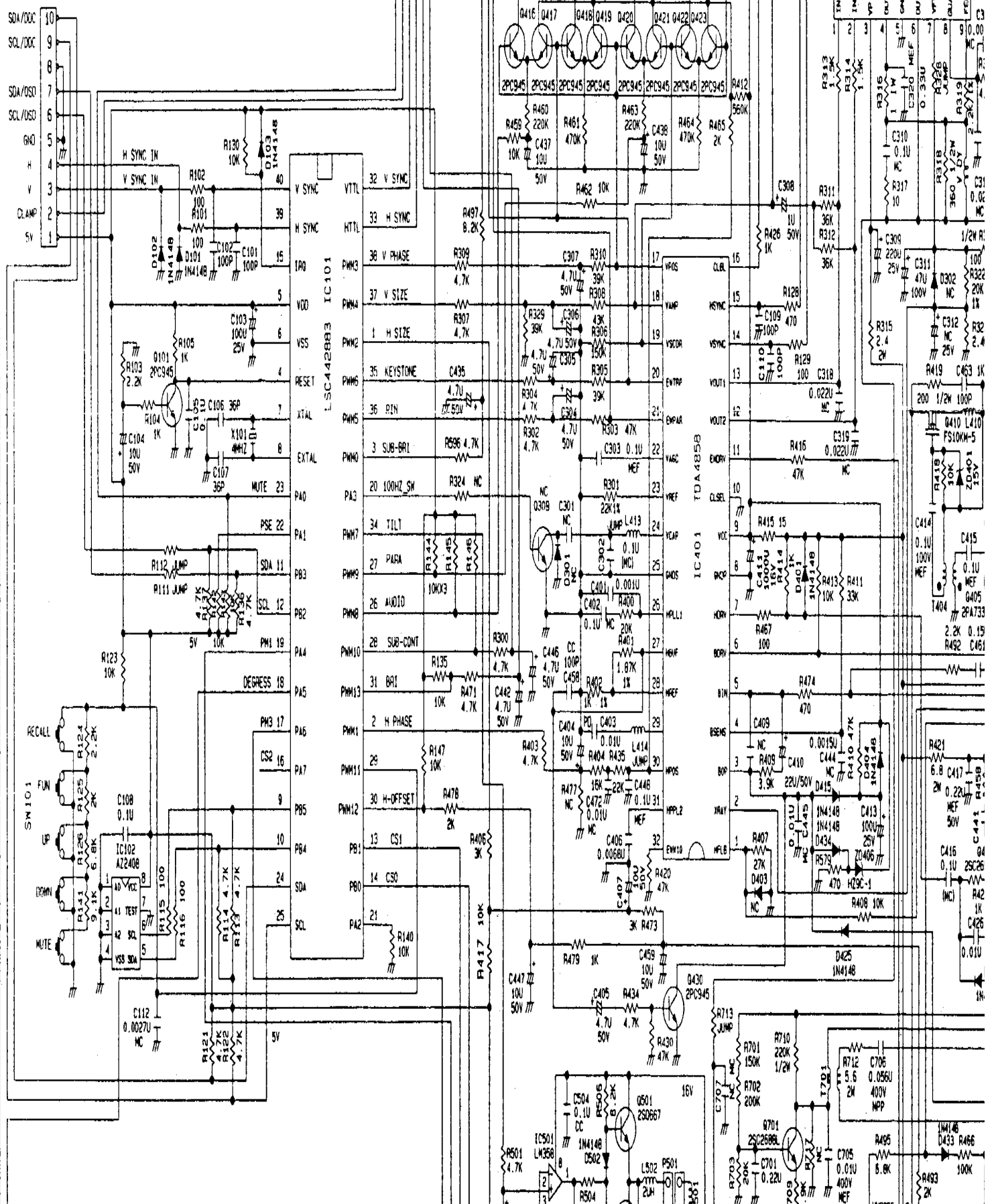
Optquest Inc.





	CS0	CS1	CS2
60K-54K	L	H	H
53K-42K	L	L	H
42K-36K	H	H	H
36K-29K	H	L	H
29K-23K	H	L	L

M102



IC301  
TDA4866

L5C48883 IC101

TDA4858 IC401

H475  
240K  
C4  
0.04

C3  
9.00  
MC

C31  
0.02  
MC

C32  
2.4  
MC

C33  
1X  
MC

C34  
2.4  
MC

C35  
15V  
MC

C36  
0.01U  
MC

C37  
0.01U  
MC

C38  
0.01U  
MC

C39  
0.01U  
MC

Schematic for the Optiquest Q71-3 and Q71-4.

Viewsonic made five versions of the Optiquest Q71.

The version is the dash number at the end of the model number.

This schematic is for the model number UCCTS21467-3.

Each version has a different schematic, except the -3 and -4 are the same.

The images are 2 color TIFF. These compress better than JPG.

Q71-3_scheme.TIF	Entire schematic on one page
Q71-3_part1.TIF	Upper Left quarter of schematic
Q71-3_part2.TIF	Upper Right quarter of schematic
Q71-3_part3.TIF	Lower Left quarter of schematic
Q71-3_part4.TIF	Lower Right quarter of schematic
Q71-3_block.TIF	Block diagram of the monitor
Q71-3_sps.TIF	Block diagram of the power supply